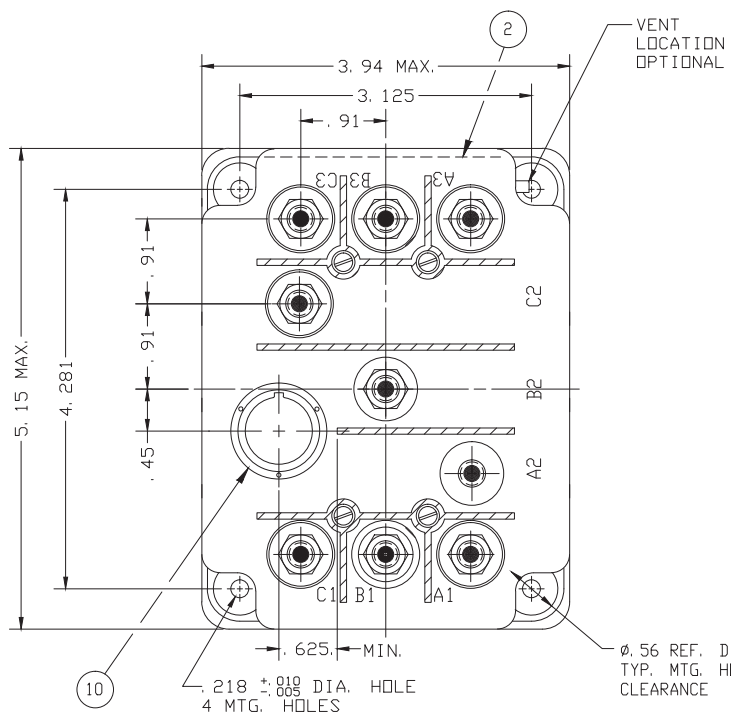


REVISIONS		RELEASED	
SYM	DESCRIPTION	DATE	APPROVED
A	3. 13 WAS 3. 18, 2. 58 WAS 2. 66, P/L CORRECTED	8-8-73	RS
B	DIMENSIONS UPDATED & VIEWS	10-9-73	RS
C	31152-30 ADDED	11-6-74	RS
D	8436 ITEM 2 P/N WAS 15221-1	10-6-75	RS
E	16363 ITEM 5 P/N WAS 31152-30	6-13-83	RS
F	17-01874 ADDED NOTE 3 & TE P/N, DIM UPDATED	12-27-17	RRG



CONSTRUCTION
 MAIN CONTACT CONFIGURATION
 VOLTAGE (NOMINAL) 115/200 VAC 400 HZ.
 CURRENT: RES. 175 AMPS
 IND. MOTOR 175 AMPS
 INTERR. 125 AMPS
 1750 AMPS

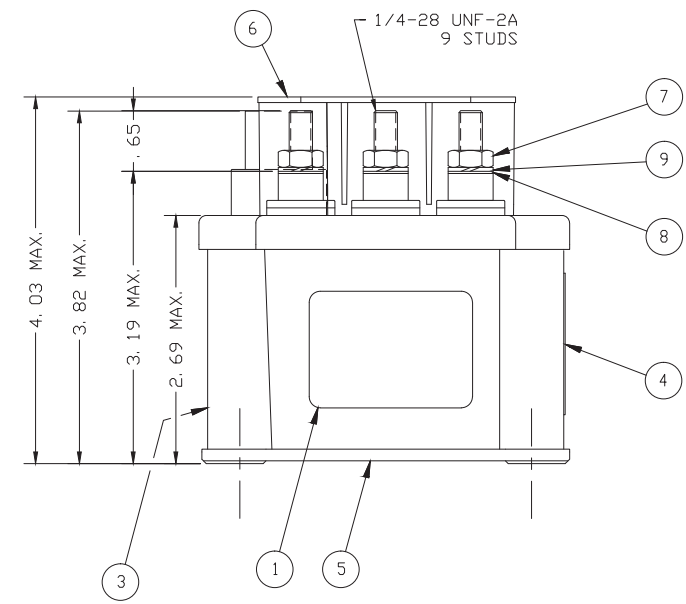
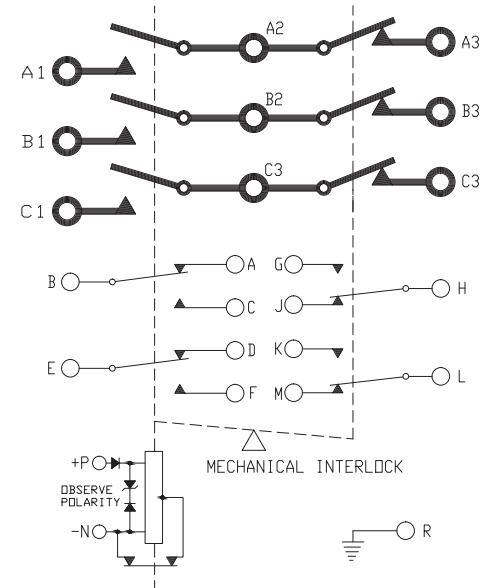
OPERATE TIME
 CLOSING 50 MILLISECONDS MAX AT 18 VDC
 OPENING 35 MILLISECONDS MAX
 TRANSFER 10 MILLISECONDS MAX AT 30 VDC

AUXILIARY CONTACTS
 CONFIGURATION 4 PDT
 VOLTAGE 28 VDC 115 VAC 400 HZ
 CURRENT: RES. 5 AMP
 IND. LAMP 5 AMP
 4 AMP

COIL DATA
 DUTY CYCLE CONTINUOUS, ECONOMIZING
 OPERATING VOLTAGE RANGE 18 VDC THRU 30 VDC
 NOMINAL COIL VOLTAGE 28 VDC
 PICKUP MAX. 18 VDC
 DROPOUT VOLTAGE 7 VOLTS TO 1 VOLT
 CURRENT: HOLD 1 AMP MAX AT 25°C
 INRUSH 5 AMP MAX AT 25°C


ENVIRONMENTAL DATA
 AMBIENT TEMPERATURE -55°C TO 71°C
 VIBRATION PER MIL-E-5400 (50 TO 500 HZ) FIGURE 2 CURVE IV

ACCELERATION
 SHOCK 6 G's
 ALTITUDE 18 G's MAX FOR 11 MILLISECONDS
 50,000 FEET MAX.
 LIFE ELECTRICAL 50,000 CYCLES MIN.
 LIFE MECHANICAL 100,000 CYCLES MIN.
 WEIGHT (MAX.) 4 LBS.



- NOTES: 1. MECH. INTERLOCK PREVENTS SIMULTANEOUS CLOSING OF BOTH SETS OF CONTACTS.
 2. CONTACTOR DESIGNED TO THE BASIC REQUIREMENTS OF MIL-R-6106F UNLESS OTHERWISE SPECIFIED.
 3. ITEMS DESIGNATED MOD 1 INCORPORATE ±46 VOLTS COIL TRANSIENT SUPPRESSION AND SPACERS BETWEEN THE ACTUATOR & THE COVER.

FIND NO	QTY REQD	PART OR IDENTIFYING NO	NOMENCLATURE OR DESCRIPTION	FSCM NO	DRAWING OR SPECIFICATION	MATERIAL OR NOTE
10	1	52514-018	CONNECTOR - MS-3443H-14C-19P			
9	9	51807-034 (MS35338-101)	WASHER-1/4 SPLIT LOCK			BRONZE
8	9	51703-064 (AN9608416L)	WASHER-FLAT 1/2 X 17/64 X .031			BRASS
7	9	50407-364 (MS35650-3255S)	NUT 1/4-28 X 7/16 X 3/16 HEX			BRASS
6	1	31164-10	TERMINAL - SHIELD ASSEMBLY			
5	1	34883-30	CONTACTOR ASSEMBLY - PRIMARY			
4	1	32163-1	PLATE - SCHEMATIC DIAGRAM			
3	1	16043-1	PLATE - NAME			
2	1	17959-1	PLATE - WARNING			
1	1	12771-1	PLATE - WARNING			

REF.  Hartman Division, 175 N. DIAMOND STREET, MANSFIELD, OHIO 44902

DR BY HAS 2-8-72
 CHK BY
 ENGR
 MFG

UNLESS OTHERWISE SPECIFIED
 DIMENSIONS ARE IN INCHES
 TOLERANCES IN

SIZE C CODE IDENT 74063
 DWG NO. B-349

2 PL DEC. 13 PL DEC. ANGLES
 ±.03 ±.010 ±1°

SCALE NONE SHEET 1 OF 1

CONTACTOR, ELECTRICAL
 175 AMP, SIDESTABLE-3 P. D. T.
 115/200 VAC, 400HZ
 REF TE P/N 1616523-4