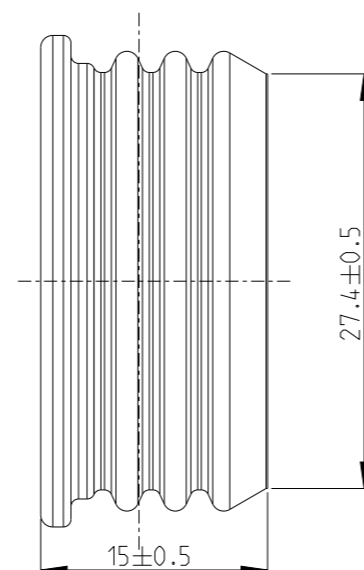
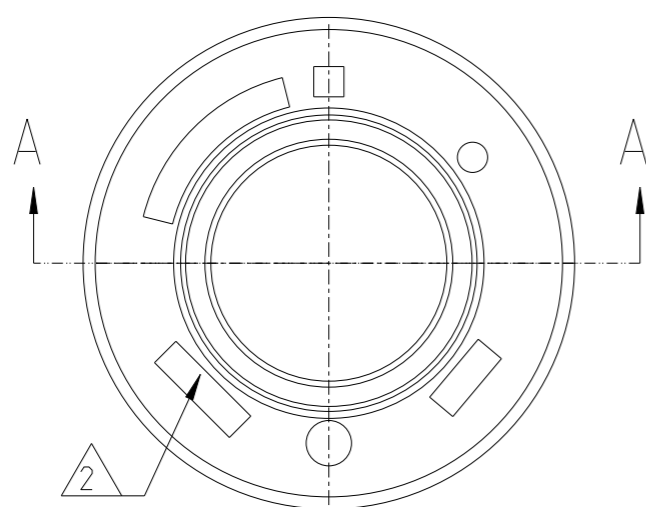


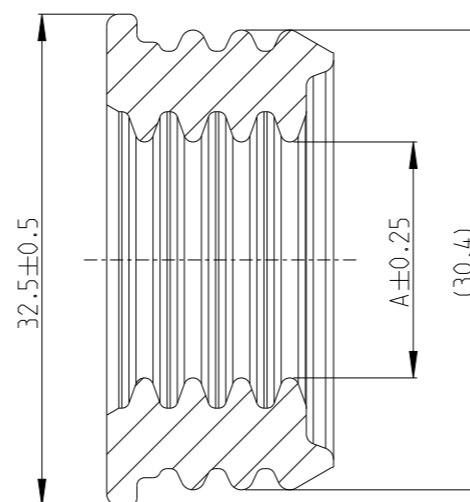
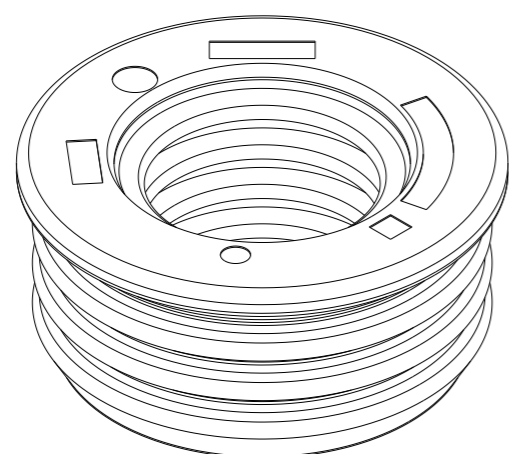
P	LTR	DESCRIPTION	DATE	DWN	APVD
	A	INITIAL RELEASE	04JUL2019	F.M	I.Y
	A1	ADD NEW PART	31MAR2022	C.C	Z.Z
	A2	UPDATE WIRE DIAMETER TOLERANCE	19AUG2024	C.C	Z.Z



1 SUPPLIED FORM: LOOSE PIECE PACKED INTO AIR TIGHT POLYETHYLENE PACKET

2 SUPPLIER-MARK

3 ONLY APPROVED CABLE SUPPLIERS AND CABLE SIZES ON THE 114&108 DOCUMENTS NO LISTED CABLE SUPPLIERS AND CABLE SIZES MUST BE VALIDATED



SECTION A-A

A2

2355151-3	SINGLE WIRE SEAL	20.9+0/-1.4	95	18.5	SILICON	BLUE
2355151-2	SINGLE WIRE SEAL	15.8+0/-1.2	50	13.6	SILICON	RED
2355151-1	SINGLE WIRE SEAL	18.2+0/-1.5	70	16.0	SILICON	GREEN
P/N	DESCRIPTION	FOR WIRE DIAMETER	FOR WIRE SIZE(mm <sup>2</sup> )	A	MATERIAL	SURFACE/ COLOUR

THIS DRAWING IS A CONTROLLED DOCUMENT.

DWN F.MA 27JUN2019

CHK E. JIANG 04JUL2019

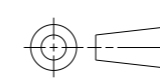
APVD I.YIN 04JUL2019

NAME SINGLE WIRE SEAL



DIMENSIONS: mm

TOLERANCES UNLESS OTHERWISE SPECIFIED:



0 PLC ±  
 1 PLC ±  
 2 PLC ±  
 3 PLC ±  
 4 PLC ±  
 ANGLES ±  
 FINISH -

DIN 16901-140  
 CENTRIC TO  
 NOM.DIM,  
 ±

PRODUCT SPEC 108-160140

APPLICATION SPEC 114-160083

WEIGHT

SIZE A3 CAGE CODE 00779 DRAWING NO C-2355151 RESTRICTED TO

MATERIAL

CUSTOMER DRAWING

SCALE 2:1 SHEET 1 OF 1 REV A2