

PCB Layout(Pattern side)

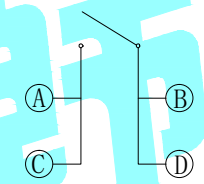
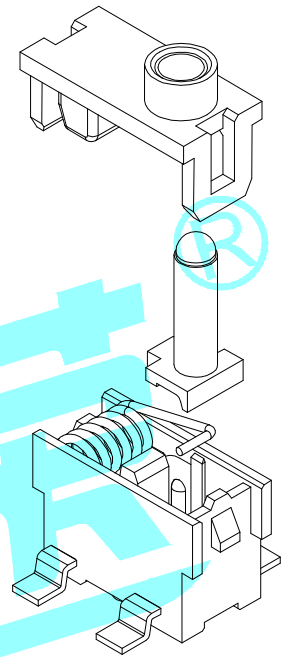
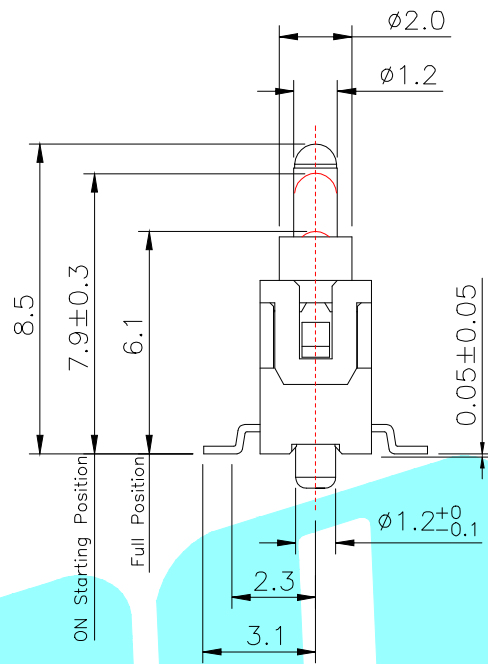
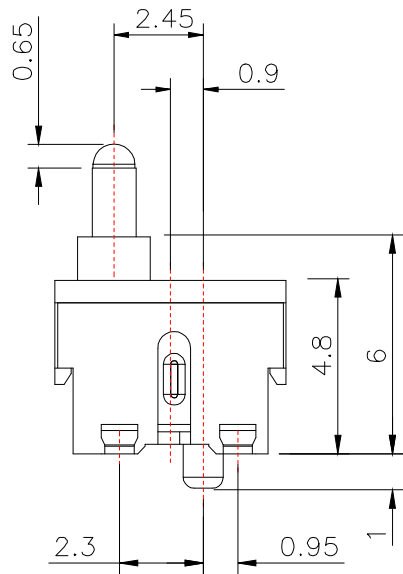
NOTE:  
 Rating: DC 5V 0.1~1mA  
 Operating Force: 36gf Max  
 Lifetime: 100,000 Cycles

PART NO.	H
K5-1130DG-01	8.5
K5-1130DG-02	9.5
K5-1130DG-03	11.0

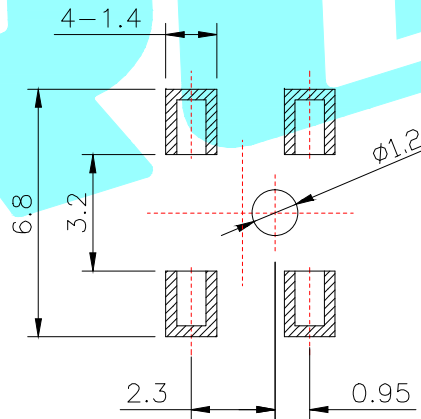
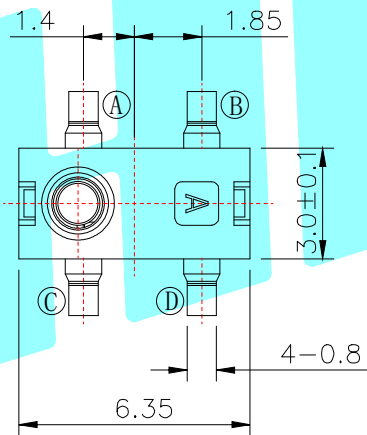
ITEM	PART NAME	TER'NO.	QTY.	MATERIAL	FINISHING	REMARK
⑤	Contact Spring	—	1	Phosphor Bronze	Ag Plated	—
④	Terminal	—	4	Brass	Ag Plated	—
③	Base	—	1	PA	Black	—
②	Cover	—	1	PA	Black	—
①	Knob	—	1	PA	Black	—

APPROVALS		DATE		HRO 弘銳® ELECTRONICS CO.,LTD		
DRAWN	LIUCAN	2021.4.10		TITLE:	DETECTOR SWITCHES	
CHECKED				PART NO.	K5-1130DG-□□	
APPROVALS				UNIT: mm	SCALE: 1:1	PROJ:
TOLERANCES ARE		30~以上	±0.30	ANGLE	DRAWING NO.	SHEET 1 OF 1
		10~30	±0.20			
		5~10	±0.15			
		~ 5	±0.10			
			±2'			

ECN NO.	REV.	DATE.	DESCRIPTION.	CHANGE.	CHECK.	APPRO.
	A		NEW			



Circuit Diagram



PCB Layout(Pattern side)

NOTE:  
 Rating: DC 5V 0.1~1mA  
 Operating Force: 36gf Max  
 Lifetime: 100,000 Cycles

PART NO.	H
K5-1130SG-01	8.5
K5-1130SG-02	9.5
K5-1130SG-03	11.0

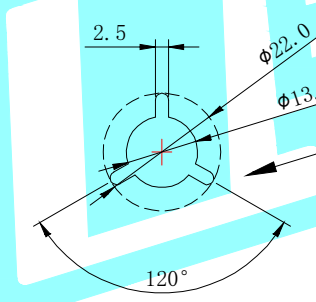
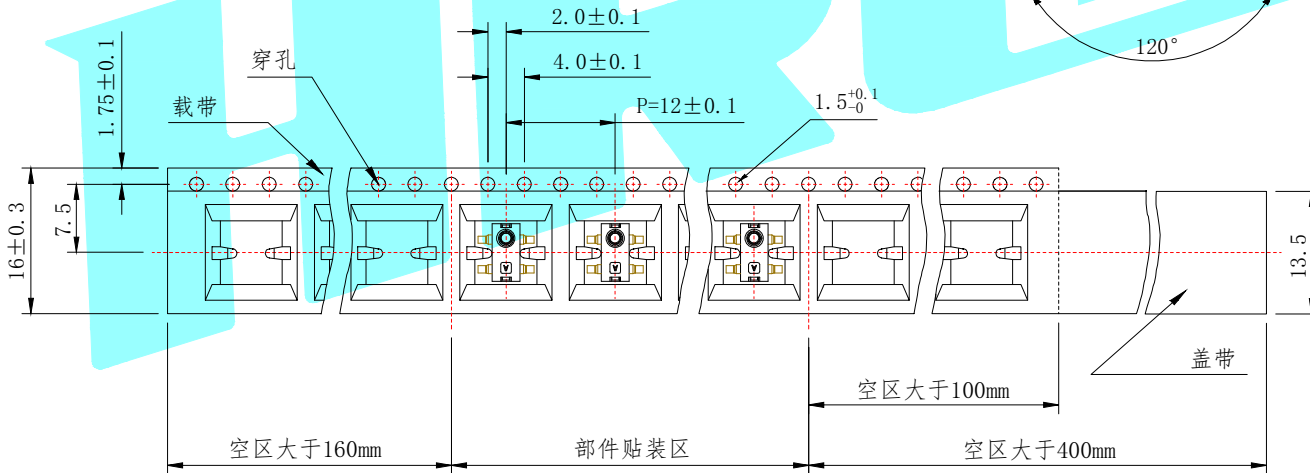
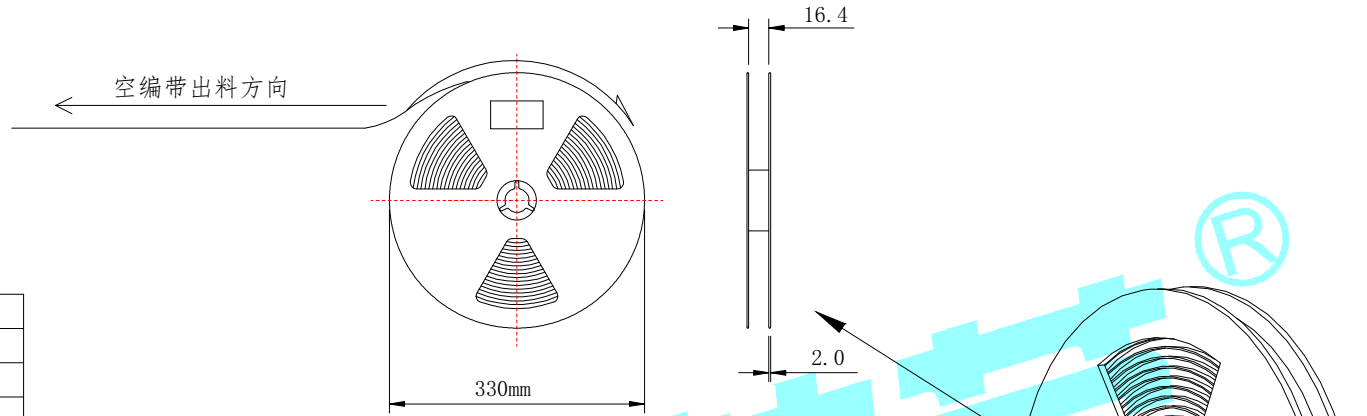
ITEM	PART NAME	TER'NO.	QTY.	MATERIAL	FINISHING	REMARK
⑤	Contact Spring	—	1	Phosphor Bronze	Ag Plated	—
④	Terminal	—	4	Brass	Ag Plated	—
③	Base	—	1	PA	Black	—
②	Cover	—	1	PA	Black	—
①	Knob	—	1	PA	Black	—

APPROVALS		DATE		HRO 翰昂® ELECTRONICS CO.,LTD		
DRAWN	LIUCAN	2021.4.10		TITLE:	DETECTOR SWITCHS	
CHECKED				PART NO.	K5-1130SG-□□	
APPROVALS				UNIT: mm	SCALE: 1:1	PROJ:
TOLERANCES ARE		30~以上 ±0.30	±0.20	ANGLE	DRAWING NO.	SHEET 1 OF 1
		10~30 ±0.20	±0.15	±2°		
		5~10 ±0.15	±0.10			
		~ 5 ±0.10				

ECN NO.	REV.	DATE.	DESCRIPTION.	CHANGE.	CHECK.	APPRO.
	A		NEW			

包装：卡通箱  
 转轴：聚丙烯  
 载带：聚丙烯

PART NO.	H	每卷数量
K5-1130SG-01	8.5	600pcs
K5-1130SG-02	9.5	500pcs
K5-1130SG-03	11.0	500pcs



APPROVALS		DATE	HRO 韩磊® ELECTRONICS CO.,LTD		
DRAWN	LIUCAN	2021.4.10	TITLE:	DETECTOR SWITCHS	
CHECKED			PART NO.	K5-1130SG-□□	
APPROVALS			UNIT: mm	SCALE: 1:1	PROJ:
TOLERANCES ARE		ANGLE	DRAWING NO.		SHEET 1 OF 1
30~以上	±0.30	±2'			
10~30	±0.20				
5~10	±0.15				
~ 5	±0.10				

ECN NO.	REV.	DATE.	DESCRIPTION.	CHANGE.	CHECK.	APPRO.
	A		NEW			