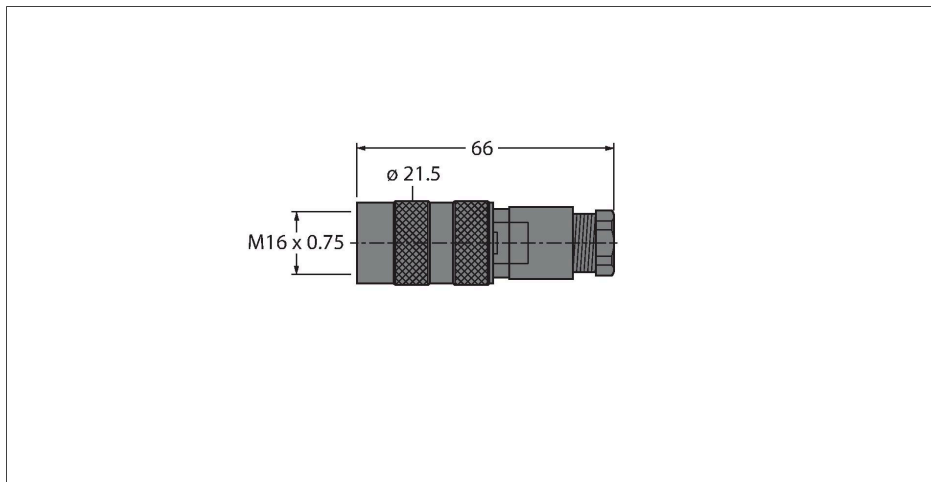


# BK 14-0

## Actuator and Sensor Field Wireable

### Female M16 × 0.75, straight

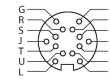


### Features



- Straight Female M16 versafast Field Wireable
- 14 pins
- Solder termination
- Plastic housing
- Solder connection
- 14-pin
- PG9 screw-in thread
- Cable feedthrough 6.0...8.0 mm

### Contact assignment



### Technical data

Type	BK 14-0
ID	U2-07158
Connector A	Female, M16 × 0.75, Straight
Number of contacts	14
Contacts	Bronze, CuSn, Gold-plated
Contact carriers	Plastic, PBT UL94-V0, Black
Connector body	Plastic, PA, Black
Coupling nut	Brass, CuZn, Nickel-plated
Mounting thread	PG9
Acceptable cable diameter	6...8 mm
Core cross-section/Clamping ability	0.14...24 mm <sup>2</sup>
Connection mode	Solder contact
Mechanical life	> 500 Mating cycles
Pollution degree	1
<b>Electrical properties at +20 °C</b>	
Rated voltage	60 V
Current	3 A
Insulation resistance	≥ 10 <sup>9</sup> Ω
forward resistance	≤ 3 mΩ
<b>Mechanical and chemical properties</b>	
Ambient temperature range (static)	-30 °C...+95 °C

## Technical data

### Note

- We reserve the right to make technical alterations without prior notice.

---