

# PACT V1-21-44-150-5A-05-25 - Current transformer



2902550

<https://www.phoenixcontact.com/us/products/2902550>

Please be informed that the data shown in this PDF document is generated from our online catalog. Please find the complete data in the user documentation. Our general terms of use for downloads are valid.



Bus-bar current transformer, 150 A AC primary current; 5 A AC secondary current; accuracy class 0.5; 2.5 VA rated power

## Commercial data

Item number	2902550
Packing unit	1 pc
Minimum order quantity	1 pc
Product key	CK4A11
GTIN	4046356662529
Weight per piece (including packing)	221.9 g
Weight per piece (excluding packing)	200.5 g
Country of origin	DE

2902550

<https://www.phoenixcontact.com/us/products/2902550>

## Technical data

### Product properties

Product type	Current transformer
--------------	---------------------

### Electrical properties

Rated insulation voltage	1 kV
--------------------------	------

#### General

Can be calibrated	no
Class	0.5
Converter type	Bus-bar current transformer

### Input data

#### Current transformers

Rated power	2.5 VA
Thermal rated continuous current	$I_d = 1.2 \cdot I_n$
Rated frequency $f_n$	50 Hz
	60 Hz
Primary rated current $I_{pn}$	0 A ... 150 A
Can be calibrated	no
Class	0.5
Converter type	Bus-bar current transformer

### Output data

#### Signal

Secondary rated current $I_{sn}$	5 A AC
Accuracy class	0.5

### Connection data

Connection method	Screw connection
Conductor cross section flexible	2x 2.5 mm <sup>2</sup> ... 4 mm <sup>2</sup> (Secondary terminals)

### Dimensions

#### Item dimensions

Width	30 mm
Height	66 mm
Depth	44 mm

#### Item dimensions with alternative mounting

Width	44 mm
Height	66 mm
Depth	30 mm

# PACT V1-21-44-150-5A-05-25 - Current transformer



2902550

<https://www.phoenixcontact.com/us/products/2902550>

## Circular conductor

Diameter	21 mm
----------	-------

## Material specifications

Color	black (RAL 9005)
Housing material	Polyamide PA fiberglass reinforced

## Environmental and real-life conditions

### Ambient conditions

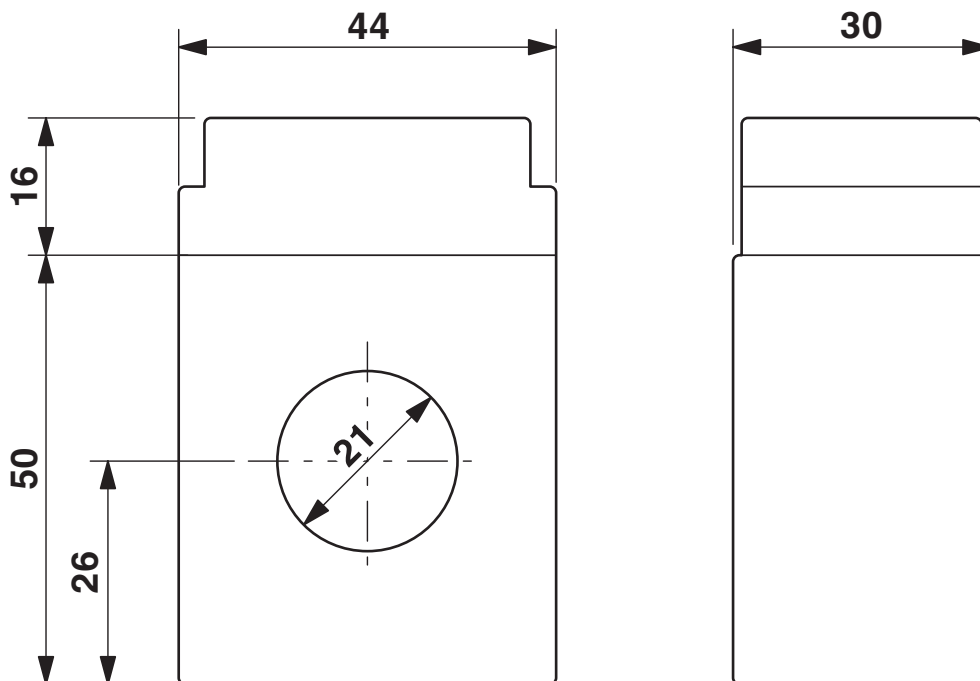
Ambient temperature (operation)	-25 °C ... 40 °C
Ambient temperature (storage/transport)	-25 °C ... 40 °C

## Standards and regulations

Standards/regulations	IEC 60044-1
-----------------------	-------------

## Drawings

Dimensional drawing



2902550

<https://www.phoenixcontact.com/us/products/2902550>

## Environmental product compliance

### China RoHS

Environment friendly use period (EFUP)	EFUP-50
	An article-related China RoHS declaration table can be found in the download area for the respective article under "Manufacturer declaration". For all articles with EFUP-E, no China RoHS declaration table issued and required.

### EU REACH SVHC

REACH candidate substance (CAS No.)	No substance above 0.1 wt%
-------------------------------------	----------------------------

Phoenix Contact 2024 © - all rights reserved  
<https://www.phoenixcontact.com>

Phoenix Contact USA  
586 Fulling Mill Road  
Middletown, PA 17057, United States  
(+717) 944-1300  
[info@phoenixcon.com](mailto:info@phoenixcon.com)