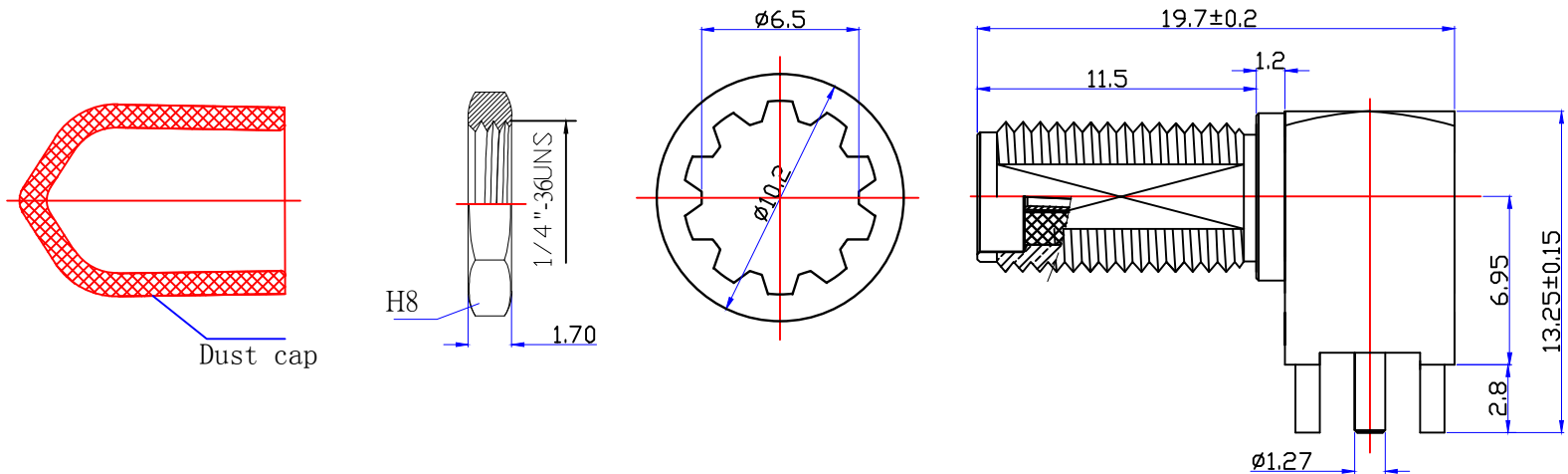




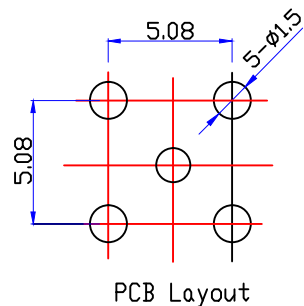
Customer NO: DOSIN-806-0186

REV	DESCRIPTION	DWN	DATE	APPROVEN
A	First issue	Mr. CHEN	2016/5/12	John kine
B				



Specifications:

- IMPEDANCE: 50 Ohms
- Frequency range: 0~6GHZ
- VSWR: 1.5MAX
- Working voltage: 500V rms @ sea level
- Insulation resistance: 5000 Ohms min
- Temperature range: -65°C TO +165°C
- Relative temperature: ≤95% (40° C ± 2° C)



NOTE:

DRAWN
Zelin. Zhang

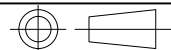
CHECKED

APPROVALS
John

Tolerance

- X. ±0.15
- X.X ±0.10
- X.XX ±0.05
- Angular ±5°

View



UNIT

MM

SCALE

1:1



Dosin Industrial (H.K) Co. Ltd

东莞市德索五金电子制品有限公司

Dosin Hardware Electronics Co., Ltd

E-mail: dosin2005@163.com
dosin2005@dosin-china.com
Web: http://www.dosinconn.com
TEL: (0086) 769-81153906
FAX: (0086) 769-81875836

Name: 90度SMA母头母针-L13.25

SIZE A Product NO. DOSIN-806-0186 REV A

DateTime 2016/5/12

CAD FILE H/company drawings/BD

SHEET: 1 OF 1

NO	Component Number	Material	Finish
1	Body	Brass	GOLD
2	Insulator	TEFLON	White
3	Center contact	Brass	GOLD
4	Washer	Brass	GOLD
5	Nut	Brass	GOLD
6	Dust cap	The silicone	RED