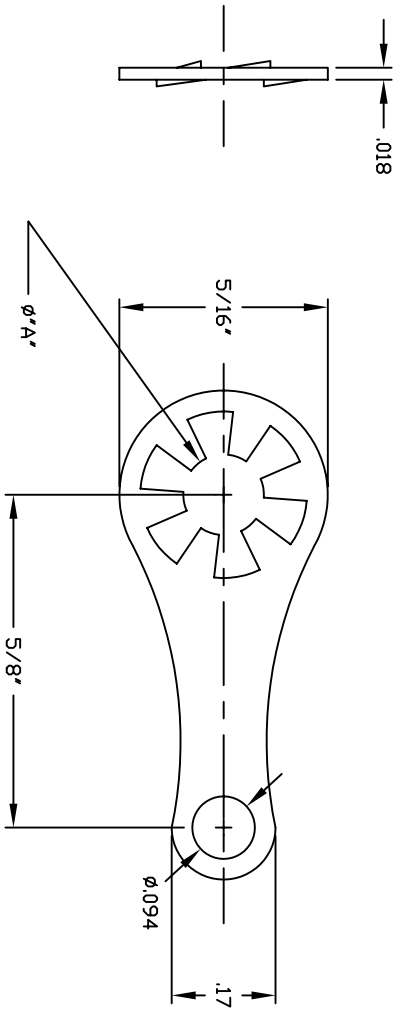


REVISIONS	
SYM	DESCRIPTION
REVISED BY	DATE
APPR	



LUG TABLE		
PART NO.	QTY	"A" DIM.
1410-04	4	.120
1410-06	6	.144
1410-08	8	.169

MATERIAL BRASS 260 1/2 HARD		FINISH	ELECTRO TIN
DIMENSIONAL TOLERANCES UNLESS OTHERWISE SPECIFIED		TITLE	
.XX	.XXX	1410-04, 06, 08	
---	---	SOLDER	
FRACTIONS	ANGLES	SCALE	
---	---	5X	
HEAT TREAT	---	DRAWN	T. LORD
PLDT SCALE	1=1	CHECKED	T. LORD
		APPROVED	T. LORD
		DATE	2/1/05
		DATE	2/1/05
		SIZE	B
		DRAWING NUMBER	SD: 1410-0X
		ISSUE	---

ABBATRON
Electronic Connectors and Hardware
632 Arch Street, Meadville, Pa. 16335