

## 概述

AMS1117 是一款低压差的线性稳压器。

## 特点

- 包括三端可调输出和固定电压输出版本（固定电压包括 1.2V, 1.8V, 2.5V, 3.3V, 5V 等，其他电压规格可根据用户定制）
- 最大输出电流为 1A
- 输出电压精度高达  $\pm 2\%$
- 稳定工作电压范围为高达 12V
- 电压线性度为 0.2%
- 负载线性度为 0.4%
- 环境温度：TA 的范围是  $-20^{\circ}\text{C} \sim 85^{\circ}\text{C}$

## 用途

- 计算机主板、显卡
- LCD 监视器及 LCD TV
- DVD 解码板
- ADSL 等设备
- 开关电源的后级稳压

## 封装形式和管脚定义功能

SOT89-3引脚排列图	SOT223引脚排列图	管体标记
		<p>备注：XX代表固定电压，****代表内部生产订单编号</p>

## 引脚定义

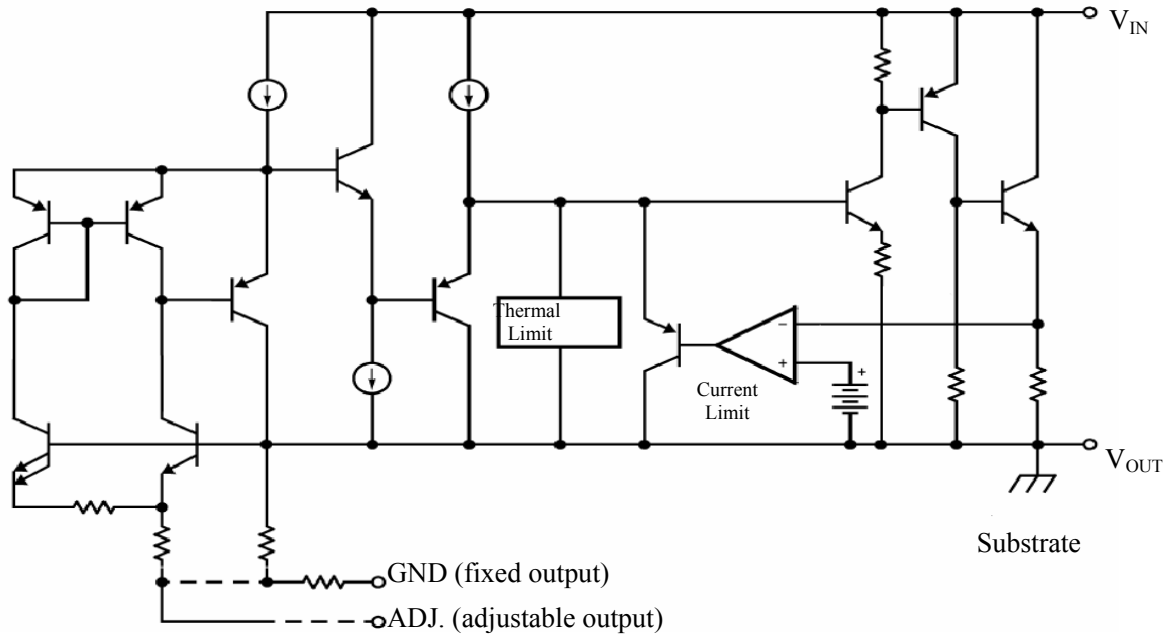
引脚号	符号	定义
1	GND	接地脚
2	Vout	输出端
3	Vin	输入端

固定电  
压型

引脚号	符号	定义
1	Adj.	可调端
2	Vout	输出端
3	Vin	输入端

可调电  
压型

## 功能图



## 极限值

参数名称	符号	数值	单位
最大输入电压	$V_{in}$	18	V
最大结温	$T_J$	125	$^{\circ}\text{C}$
最大环境温度	$T_A$	125	$^{\circ}\text{C}$
贮存温度	$T_s$	-65~ +150	$^{\circ}\text{C}$
焊接温度和时间		260 $^{\circ}\text{C}$ ,10S	

## 推荐工作条件

名称	最小	推荐	最大	单位
输入电压范围			15	V
工作环境温度	0		85	$^{\circ}\text{C}$

## 主要参数和工作特性

T<sub>j</sub>=25°C

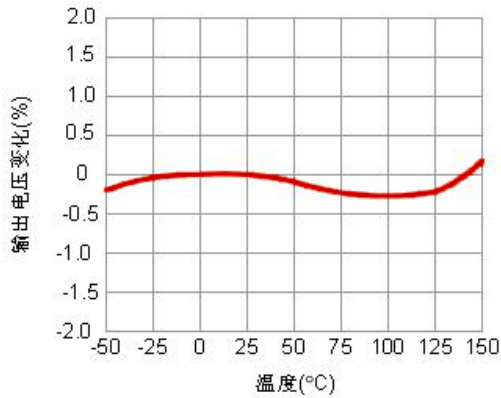
参数	参数说明	条件	最小值	典型值	最大值	单位
V <sub>ref</sub>	参考电压	I <sub>out</sub> =10mA, V <sub>in</sub> -V <sub>out</sub> =2V 10mA ≤ I <sub>out</sub> ≤ 1A, 1.5V ≤ V <sub>in</sub> -V <sub>out</sub> ≤ 10V	1.225	1.25	1.275	V
V <sub>out</sub>	输出电压	AMS1117-1.50V 10mA ≤ I <sub>out</sub> ≤ 1A, 3.0V ≤ V <sub>in</sub> ≤ 10V	1.470	1.5	1.530	V
		AMS1117-1.80V 10mA ≤ I <sub>out</sub> ≤ 1A, 3.25V ≤ V <sub>in</sub> ≤ 10V	1.764	1.80	1.836	V
		AMS1117-2.50V 10mA ≤ I <sub>out</sub> ≤ 1A, 3.9V ≤ V <sub>in</sub> ≤ 10V	2.45	2.50	2.55	V
		AMS1117-3.3V 10mA ≤ I <sub>out</sub> ≤ 1A, 5.3V ≤ V <sub>in</sub> ≤ 12V	3.235	3.3	3.365	V
		AMS1117-5V 10mA ≤ I <sub>out</sub> ≤ 1A, 6.5V ≤ V <sub>in</sub> ≤ 12V	4.9	5	5.1	V
ΔV <sub>out</sub>	电压线性度	AMS1117-ADJ I <sub>out</sub> =10mA, V ≤ V <sub>in</sub> -V <sub>out</sub> ≤ 10V		5	18	mV
		AMS1117-1.5V I <sub>out</sub> =10mA, 2.75V ≤ V <sub>in</sub> ≤ 10V		5	18	mV
		AMS1117-1.8V I <sub>out</sub> =10mA, 3.25V ≤ V <sub>in</sub> ≤ 10V		5	18	mV
		AMS1117-2.50V I <sub>out</sub> =10mA, 3.9V ≤ V <sub>in</sub> ≤ 10V		5	18	mV
		AMS1117-3.3V I <sub>out</sub> =10mA, 5.3V ≤ V <sub>in</sub> ≤ 12V		9	18	mV
		AMS1117-5V I <sub>out</sub> =10mA, 6.5V ≤ V <sub>in</sub> ≤ 12V		9	18	mV
ΔV <sub>out</sub>	负载线性度	AMS1117-ADJ V <sub>in</sub> = 3.25V, 10mA ≤ I <sub>out</sub> ≤ 1A		9	18	mV
		AMS1117-1.5V V <sub>in</sub> = 3.25V, 10mA ≤ I <sub>out</sub> ≤ 1A		9	18	mV

## 主要参数和工作特性

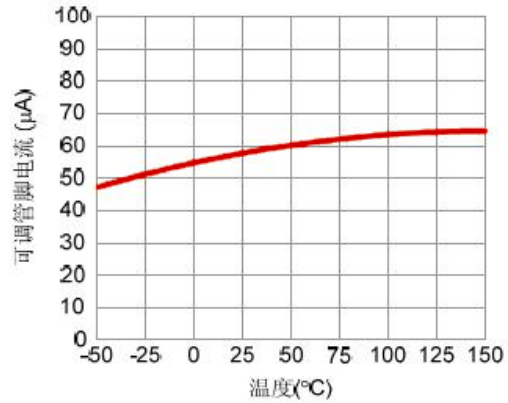
		AMS1117-1.8V $V_{in} = 3.25V, 10mA \leq I_{out} \leq 1A$		10	18	mV
		AMS1117-2.5V $V_{in} = 4.5 V, 10mA \leq I_{out} \leq 1A$		10	18	mV
		AMS1117-3.3V $V_{in} = 5.3V, 0 \leq I_{out} \leq 1A$		12	20	mV
		AMS1117-5V $V_{in} = 6.5V, 0 \leq I_{out} \leq 1A$		12	20	mV
Vin-Vout	最小输入输出电压差	$\Delta V_{out}, \Delta V_{ref} = 1\%, I_{out} = 1A$			1.4	V
Ilimit	最小负载电流	AMS1117-ADJ			10	mA
Iq	静态电流	AMS1117-ADJ $V_{in} = 4.0V$			12	mA
		AMS1117-1.5V, $V_{in} = 4.8V$			12	mA
		AMS1117-1.8V, $V_{in} = 4.8V$			12	mA
		AMS1117-2.5V, $V_{in} = 4.8V$			12	mA
		AMS1117-3.3V, $V_{in} = 4.8V$			12	mA
		AMS1117-5.0V, $V_{in} = 4.8V$			12	mA

## 典型電性特性曲線

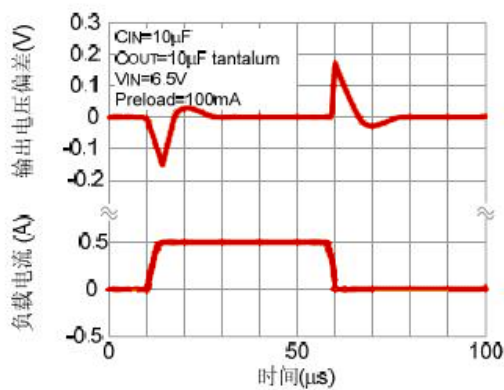
溫度穩定性



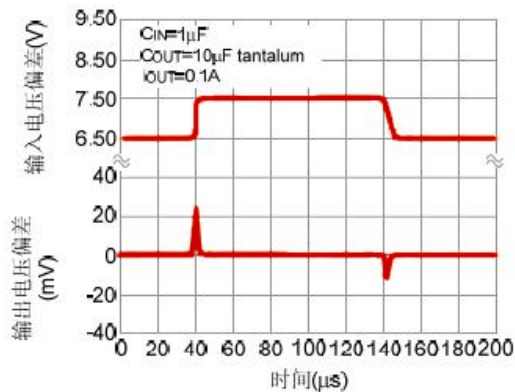
可調管腳電流



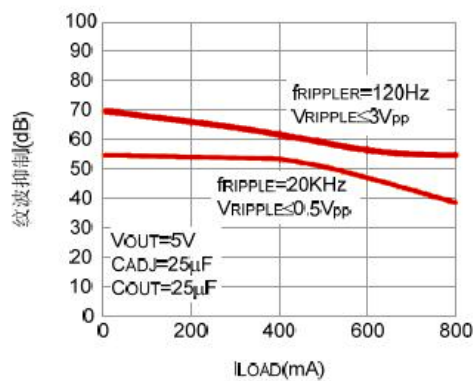
負載瞬態反應 (VOUT=5 V)



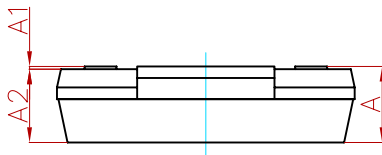
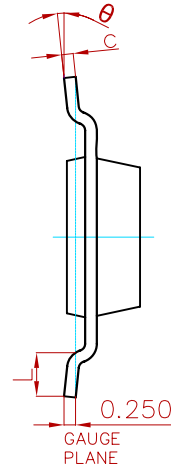
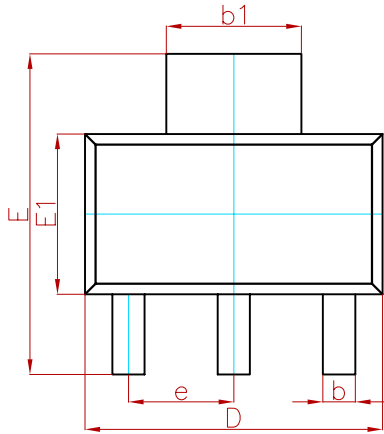
線性瞬態響應 (VOUT=5 V)



紋波抑制 VS 電流

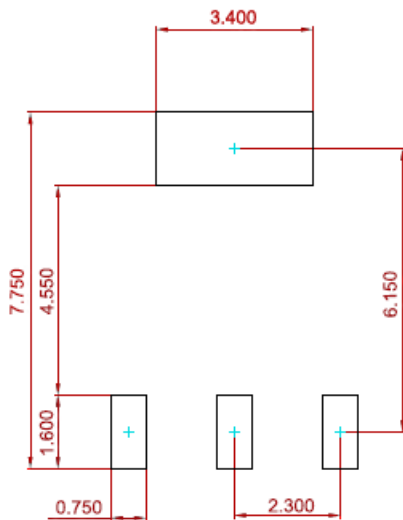


## PACKAGE MECHANICAL DATA



Symbol	Dimensions In Millimeters		Dimensions In Inches	
	Min.	Max.	Min.	Max.
A	—	1.800	—	0.071
A1	0.020	0.100	0.001	0.004
A2	1.500	1.700	0.059	0.067
b	0.660	0.840	0.026	0.033
b1	2.900	3.100	0.114	0.122
c	0.230	0.350	0.009	0.014
D	6.300	6.700	0.248	0.264
E	6.700	7.300	0.264	0.287
E1	3.300	3.700	0.130	0.146
e	2.300(BSC)		0.091(BSC)	
L	0.750	—	0.030	—
θ	0°	10°	0°	10°

## Suggested Pad Layout



### Note:

1. Controlling dimension: in millimeters.
2. General tolerance:  $\pm 0.050\text{mm}$ .
3. The pad layout is for reference purposes only.

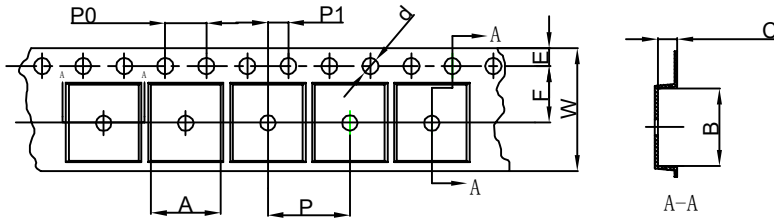
## REEL SPECIFICATION

P/N	PKG	QTY
AMS1117-XX	SOT-223	2500

注：XX代表输出电压

## SOT-223 Tape and Reel

### SOT-223 Embossed Carrier Tape

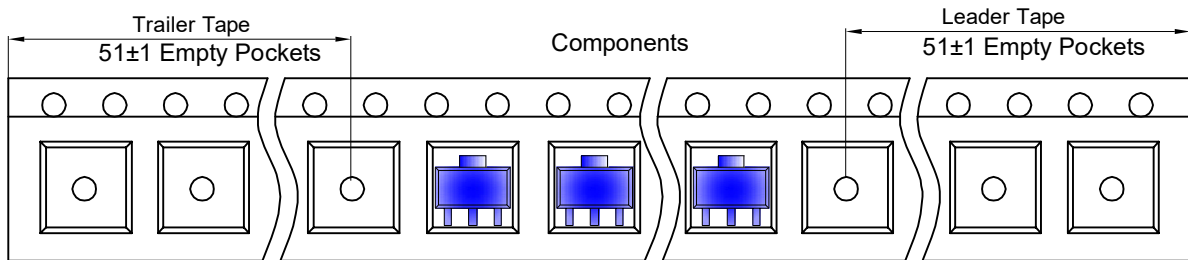


**Packaging Description:**

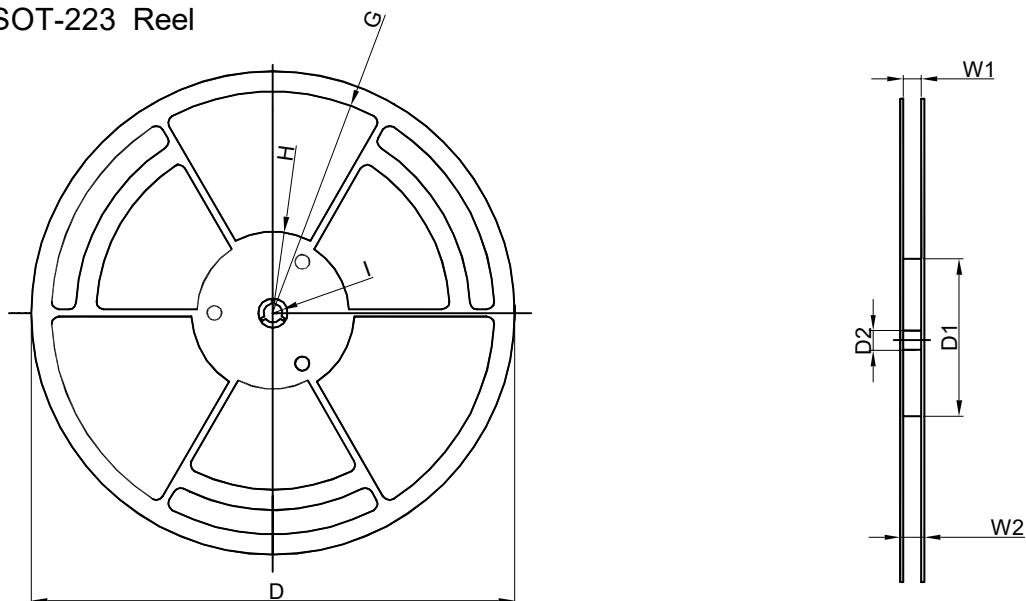
SOT-223 parts are shipped in tape. The carrier tape is made from a dissipative (carbon filled) polycarbonate resin. The cover tape is a multilayer film (Heat Activated Adhesive in nature) primarily composed of polyester film, adhesive layer, sealant, and anti-static sprayed agent. These reeled parts in standard option are shipped with 2,500 units per 13" or 33.0cm diameter reel. The reels are clear in color and is made of polystyrene plastic (anti-static coated).

Dimensions are in millimeter										
Pkg type	A	B	C	d	E	F	P0	P	P1	W
SOT-223	6.765	7.335	1.88	Ø1.50	1.75	5.50	4.00	8.00	2.00	12.00

### SOT-223 Tape Leader and Trailer

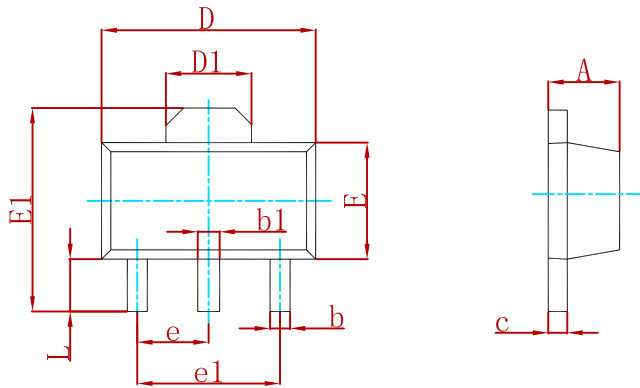


### SOT-223 Reel



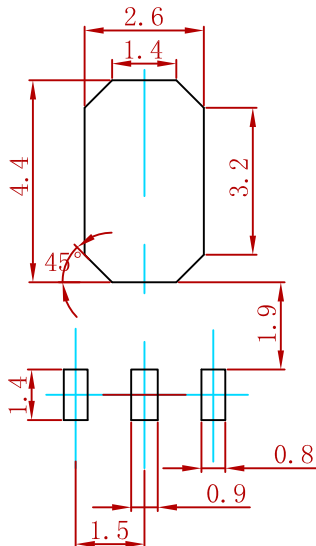
Dimensions are in millimeter								
Reel Option	D	D1	D2	G	H	I	W1	W2
13"Dia	Ø330.00	100.00	13.00	R151.00	R56.00	R6.50	12.40	17.60

## 包装信息



Symbol	Dimensions In Millimeters		Dimensions In Inches	
	Min	Max	Min	Max
A	1.400	1.600	0.055	0.063
b	0.320	0.520	0.013	0.020
b1	0.400	0.580	0.016	0.023
c	0.350	0.440	0.014	0.017
D	4.400	4.600	0.173	0.181
D1	1.550 REF.		0.061 REF.	
E	2.300	2.600	0.091	0.102
E1	3.940	4.250	0.155	0.167
e	1.500 TYP.		0.060 TYP.	
e1	3.000 TYP.		0.118 TYP.	
L	0.900	1.200	0.035	0.047

## 建议焊盘



Note:

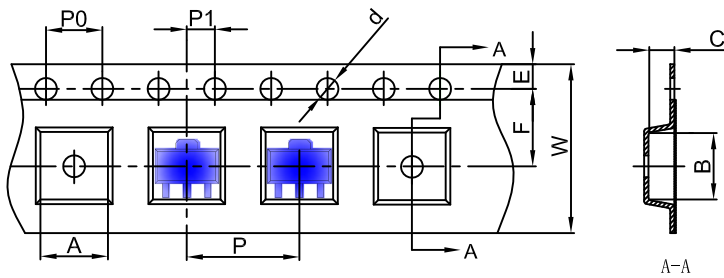
1. Controlling dimension: in millimeters.
2. General tolerance:  $\pm 0.05\text{mm}$ .
3. The pad layout is for reference purposes only.

## REEL SPECIFICATION

P/N	PKG	QTY
AMS1117-XX	SOT89-3	1000

注：XX代表输出电压

## SOT-89 Embossed Carrier Tape

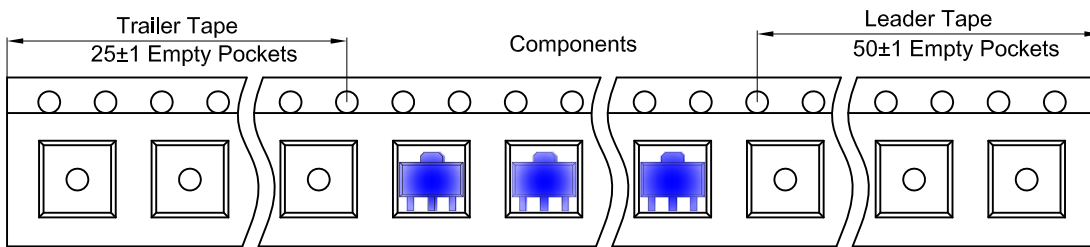


### Packaging Description:

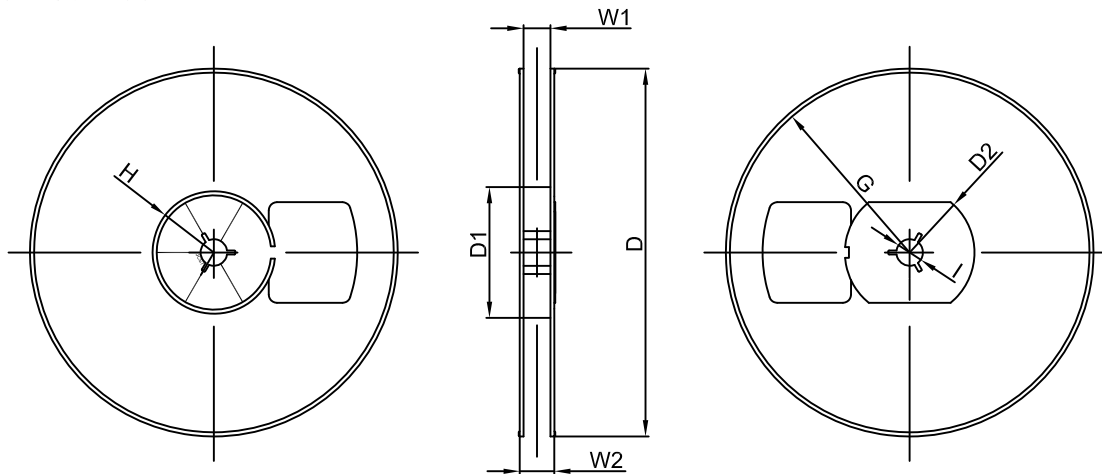
SOT-89 parts are shipped in tape. The carrier tape is made from a dissipative (carbon polycarbonate resin). The cover tape is a multilayer film (Heat Activated Adhesive in nature) primarily composed of polyester film, adhesive layer, sealant, and anti-static sprayed agent. These reeled packages in standard options are shipped with 1,000 units per reel or 18.0 cm diameter reel. The reels are clear and are made of polystyrene plastic (anti-static coated).

Dimensions are in millimeter										
Pkg type	A	B	C	d	E	F	P0	P	P1	W
SOT-89	4.85	4.45	1.85	Ø1.50	1.75	5.50	4.00	8.00	2.00	12.00

## SOT-89 Tape Leader and Trailer



## SOT-89 Reel



Dimensions are in millimeter								
Reel Option	D	D1	D2	G	H	I	W1	W2
7" Dia	Ø180.00	60.00	R32.00	R86.50	R30.00	Ø13.00	13.20	16.50