

165536-1 ✓ ACTIVE

**FASTON**

TE Internal #: 165536-1

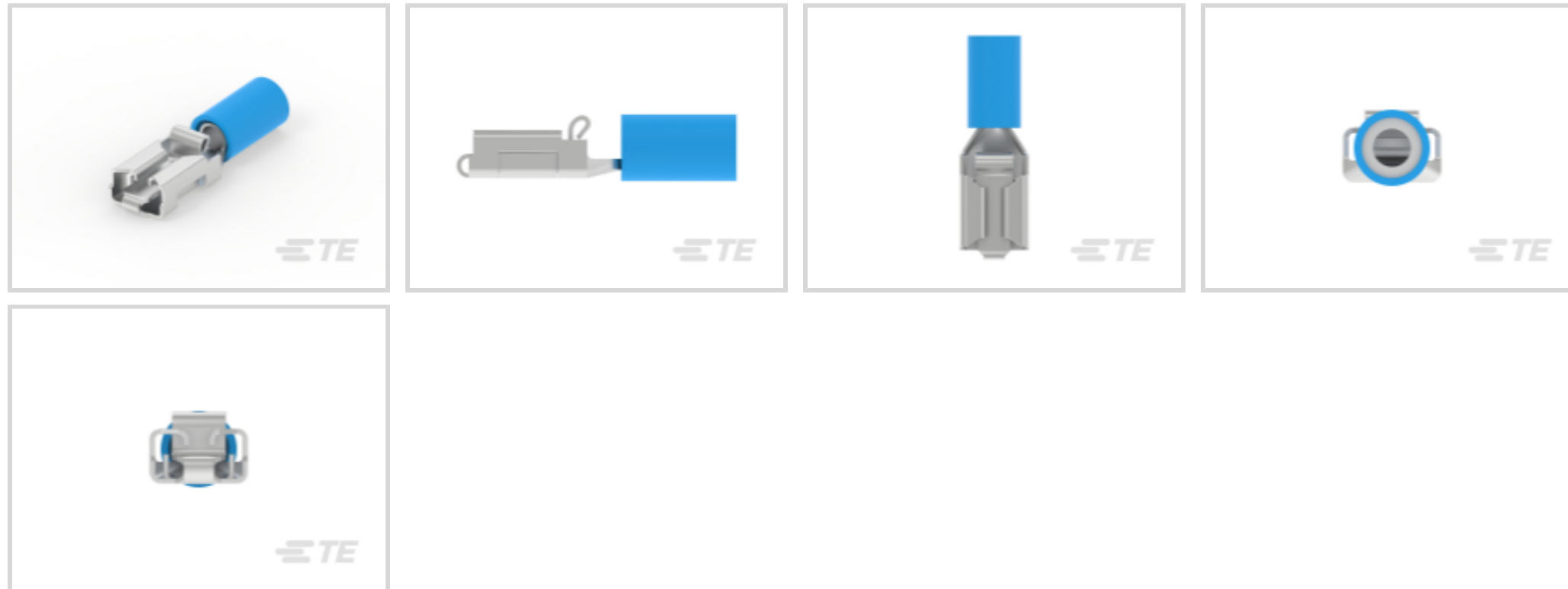
Receptacle, 15.5 – 13.5 AWG Wire Size, 1.5 – 2.5 mm<sup>2</sup> Wire Size,  
3000 – 4919 CMA Wire Size, Mating Tab Width 6.35 mm [.25 in],

Quick Disconnects

[View on TE.com >](#)



Terminals & Splices > Quick Disconnects



Quick Disconnect Terminal Type: **Receptacle**

Wire Size: **3000 – 4919 CMA**

Mating Tab Width: **6.35 mm [.25 in]**

**Features**

**Product Type Features**

Insertion Force	Normal
-----------------	--------

**Contact Features**

Quick Disconnect Terminal Type	Receptacle
Mating Tab Width	6.35 mm [.25 in]
Mating Tab Thickness	.81 mm [.032 in]
Terminal Orientation	Straight
Contact Base Material	Brass
Terminal Plating Material	Tin
Crimp Type	Compression
Barrel Type	Closed

**Termination Features**

Product Terminates To	Wire & Cable
-----------------------	--------------

**Dimensions**

Compatible Insulation Diameter Range	4.83 mm [.19 in]
Wire Size	3000 – 4919 CMA



### Usage Conditions

Insulation Option	Partially Insulated
Operating Temperature Range	105 °C[221 °F]

### Packaging Features

Packaging Method	Loose Piece
------------------	-------------

### Product Compliance

[For compliance documentation, visit the product page on TE.com>](#)

EU RoHS Directive 2011/65/EU	Compliant
EU ELV Directive 2000/53/EC	Compliant
China RoHS 2 Directive MIIT Order No 32, 2016	No Restricted Materials Above Threshold
EU REACH Regulation (EC) No. 1907/2006	Current ECHA Candidate List: JUNE 2024 (241) Candidate List Declared Against: JUNE 2024 (241) Does not contain REACH SVHC
Halogen Content	Low Halogen - Br, Cl, F, I < 900 ppm per homogenous material. Also BFR/CFR/PVC Free
Solder Process Capability	Not applicable for solder process capability

#### Product Compliance Disclaimer

This information is provided based on reasonable inquiry of our suppliers and represents our current actual knowledge based on the information they provided. This information is subject to change. The part numbers that TE has identified as EU RoHS compliant have a maximum concentration of 0.1% by weight in homogenous materials for lead, hexavalent chromium, mercury, PBB, PBDE, DBP, BBP, DEHP, DIBP, and 0.01% for cadmium, or qualify for an exemption to these limits as defined in the Annexes of Directive 2011/65/EU (RoHS2). Finished electrical and electronic equipment products will be CE marked as required by Directive 2011/65/EU. Components may not be CE marked. Additionally, the part numbers that TE has identified as EU ELV compliant have a maximum concentration of 0.1% by weight in homogenous materials for lead, hexavalent chromium, and mercury, and 0.01% for cadmium, or qualify for an exemption to these limits as defined in the Annexes of Directive 2000/53/EC (ELV). Regarding the REACH Regulation, the information TE provides on SVHC in articles for this part number is based on the latest European Chemicals Agency (ECHA) 'Guidance on requirements for substances in articles' posted at this URL: <https://echa.europa.eu/guidance-documents/guidance-on-reach>

### Compatible Parts




REPRESENTATION ONLY

TE Part # 47387-7  
DAHT PG PIDG 16-12 ASSY



TE Part # 2-165536-2  
PIDG BLUE POSI-LOK250X032,TAPE



TE Part # 2-1377175-6  
SMP 0-0165536-1



TE Part # 2323802-2  
SSRMP-240D16 = Mini Puck,16A,240V AC



TE Part # 2323802-8  
SSRMP-240D16R = Mini Puck,16A,240V AC,R



TE Part # 1-2323802-2  
SSRMP-480D16R = Mini Puck,16A,480V AC,R



TE Part # 169400  
CERTI-LOK FRAME W/O DIES

TE Part # 2392022-2  
BLUE BATTERY DAHT KIT 220V (47387-7)

TE Part # 2392022-1  
BLUE BATTERY DAHT KIT 110V (47387-7)

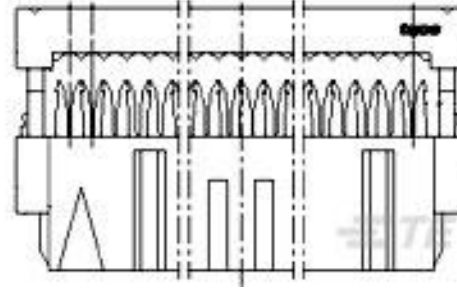


TE Part # 169404  
CERTI-LOK DIE

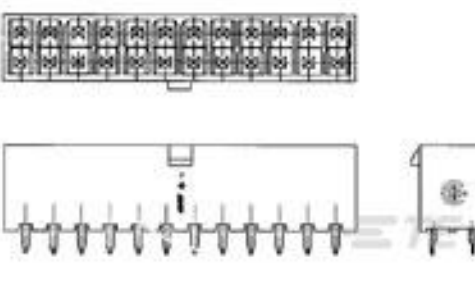
### Customers Also Bought



TE Part #3-1393104-6  
KRPA-11AY-120=KRPA



TE Part #5-215915-0  
AMP-LATCH 15.2 HIGH TAPE



TE Part #1-1586038-6  
16P VRT HDR VAL-U-LOK V0



TE Part #1-2372389-0  
MICRO MNL, HDR ASSY, SINGLE ROW, AU



TE Part #ZPF00000000013852  
DBAS 78G 12-0 SN-B5896

TE Part #2-1634200-6  
PREDD5-07F-BB0GW



TE Part #3-1437144-1  
FSN-23A-14=NOMEX FS STD

### Documents



### Product Drawings

#### PIDG\_POS.LOCK ASSY

English

### CAD Files

#### 3D PDF

English

#### Customer View Model

[ENG\\_CVM\\_165536-1\\_E2.2d\\_dxf.zip](#)

English

#### Customer View Model

[ENG\\_CVM\\_165536-1\\_E2.3d\\_igs.zip](#)

English

#### Customer View Model

[ENG\\_CVM\\_165536-1\\_E2.3d\\_stp.zip](#)

English

#### 3D PDF

3D

#### Customer View Model

[ENG\\_CVM\\_CVM\\_165536-1\\_D.2d\\_dxf.zip](#)

English

#### Customer View Model

[ENG\\_CVM\\_CVM\\_165536-1\\_D.3d\\_igs.zip](#)

English

#### Customer View Model

[ENG\\_CVM\\_CVM\\_165536-1\\_D.3d\\_stp.zip](#)

English

By downloading the CAD file I accept and agree to the [Terms and Conditions](#) of use.

### Datasheets & Catalog Pages

#### PIDG\_FASTON

English

#### Ultra-Fast and Ultra Fast Plus

English