

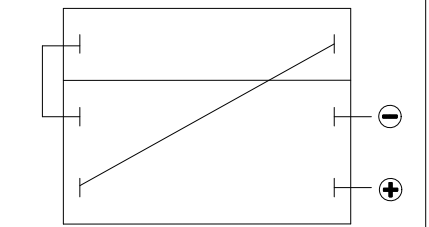
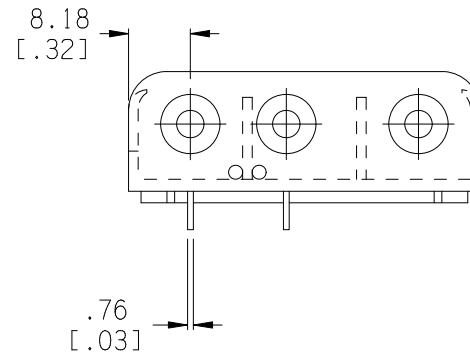
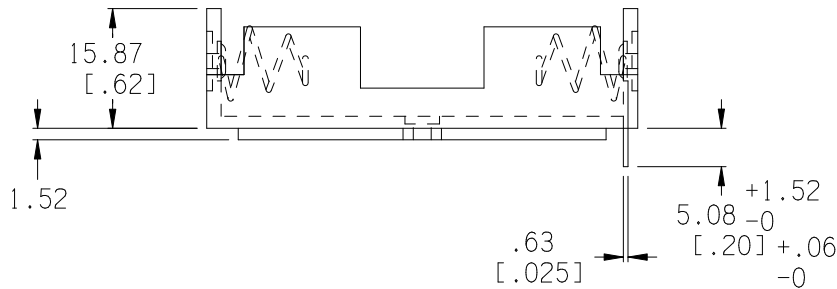
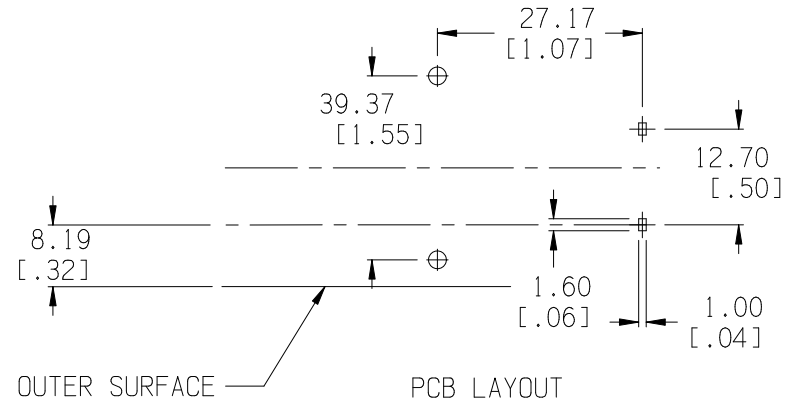
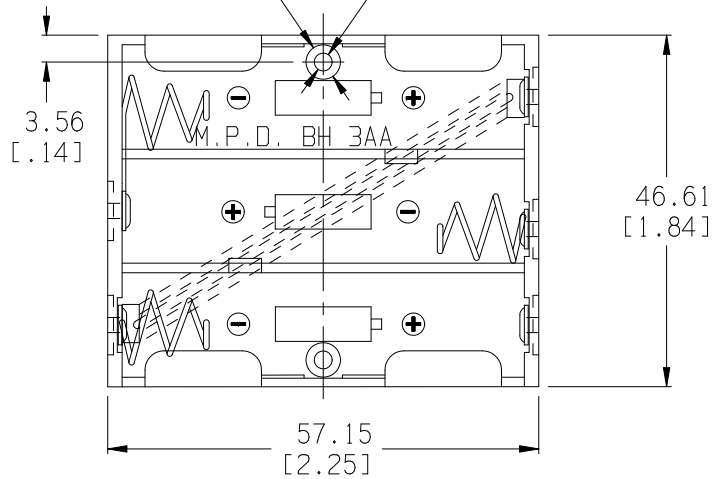
Ø4.57 x 1.01 DEEP  
[.180 x 0.040 DEEP]

Ø2.36  
[.093]

MOUNTING INSTRUCTION:

USE 2-56 MACHINE SCREWS OR EYELETS 0.089" OD BY 0.15" FLANGE STIMPSON GS-3 SERIES OR EQUIVALENT ALSO ADHESIVES AND DOUBLE SIDED TAPES WORK WELL.


| Date     | SYM | REVISION RECORD                         | AUTH | DR.  | CK. |
|----------|-----|---|------|------|-----|
| 12/26/03 | A   | Changed Material Specification          | T.B. | B.S. |     |
| 03/29/13 | B   | Updated to "ROHS 2 COMPLIANT"           | T.B. | B.S. |     |
| 03/13/15 | C   | Dim. 5.08 was 12.70<br>Dim. .63 was .61 | T.B. | B.S. |     |
|          |     |   |      |      |     |
|          |     |   |      |      |     |



NOTES:

MATERIAL:

HOUSING: IMPACT RESISTANCE NYLON #6, BLACK, UL 94V-0, MATERIAL FILE #UL E 48285  
 SPRING: SPRING STEEL, NICKLE PLATED  
 CONTACTS: SPRING STEEL, NICKLE PLATED  
 EYELETS: BRASS, NICKLE PLTD.  
 JUMPER: #24 AWG, 2.5" LONG  
 ROHS 2 COMPLIANT

|                    |   |                |                  |
|--------------------|---|----------------|------------------|
| Tolerance (Inches) |  <b>Memory Protection Devices, Inc</b><br>200 Broad Hollow Road, Farmingdale, New York 11735 |                |                  |
| Decimal            |   | Scale          | Drawn By B.S.    |
| ±.5 (.020)         |   |                | Approved By T.B. |
| Fractional         | Title   |                |                  |
| ± .8 (.030)        | 3AA BATTERY HOLDER WITH PC PINS   |                |                  |
| Angular            | Date  | Drawing Number |                  |
| ± 3°               | 03/13/15  | BH3AA-PC       |                  |