

DO NOT SCALE FROM THIS PRINT

| No. OF POS | "A"           | "B"             | "C"           |
|------------|---------------|-----------------|---------------|
| -10        | 5.25 [0.207]  | 4.500 [0.1772]  | 6.42 [0.253]  |
| -15        | 7.75 [0.305]  | 7.000 [0.2756]  | 8.92 [0.351]  |
| -20        | 10.25 [0.404] | 9.500 [0.3740]  | 11.42 [0.450] |
| -30        | 15.25 [0.600] | 14.500 [0.5709] | 16.42 [0.646] |
| -40        | 20.25 [0.797] | 19.500 [0.7677] | 21.42 [0.843] |
| -50        | 25.25 [0.994] | 24.500 [0.9646] | 26.42 [1.040] |
| -60        | 30.25 [1.191] | 29.500 [1.1614] | 31.42 [1.237] |
| -70        | 35.25 [1.388] | 34.500 [1.3583] | 36.42 [1.434] |
| -80        | 40.25 [1.585] | 39.500 [1.5551] | 41.42 [1.631] |

DESIGNED & DIMENSIONED IN MILLIMETERS [INCHES]

ST5-XX-X.XX-X-D-P-XR

No. OF POSITIONS  
-10, -15, -20, -30, -40,  
-50, -60, -70, -80 (PER ROW)

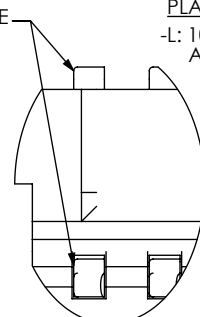
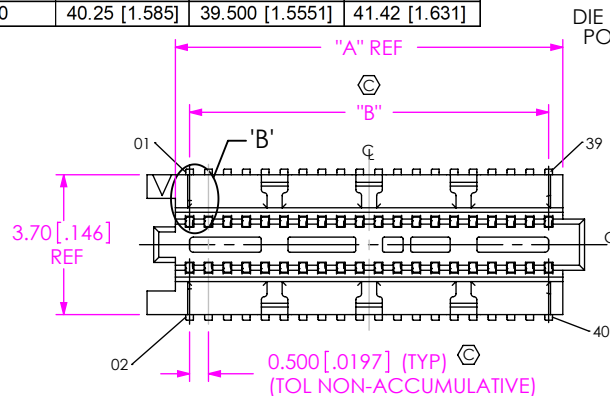
TAPE & REEL (SEE NOTES 4 & 5)  
-TR: TAPE & REEL  
-FR: FULL REEL QTY TAPE & REEL

LEAD STYLE  
-1.00: (USE T-1M50-1.00-L)  
-1.50: (USE T-1M50-1.50-L)  
\*-2.50: (USE T-1M50-2.50-L)

PLACEMENT PAD  
-P: PICK AND PLACE PAD  
(SEE FIG 4, SHT 2)  
(-10, -20, -30, -40, -50, -60, -70, -80  
USE PPP-65-01, -15 USE PPP-65-02)

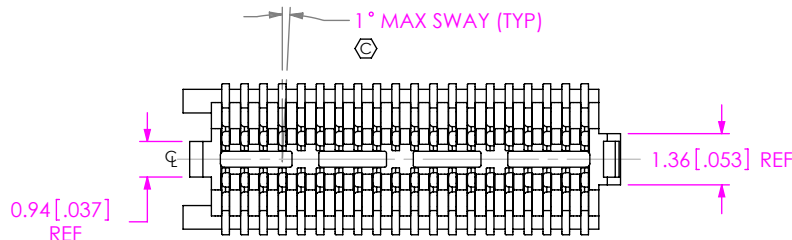
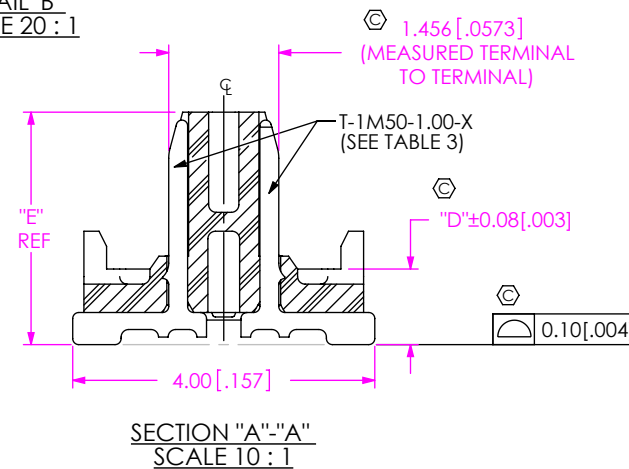
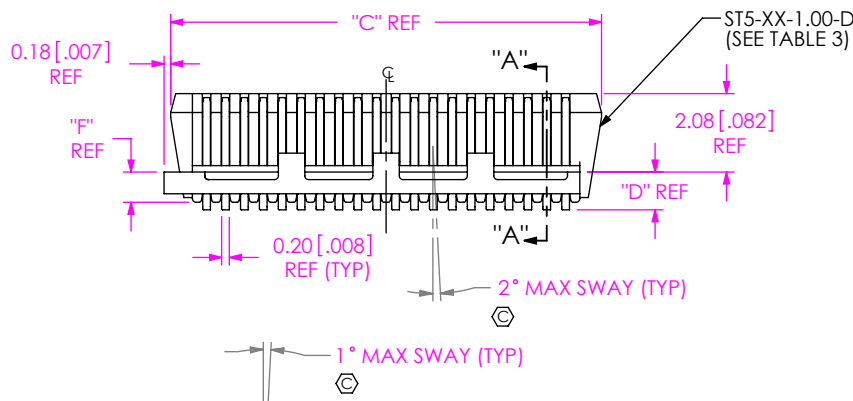
PLATING SPECIFICATION  
-L: 10µ" SELECTIVE GOLD IN CONTACT AREA, MATTE TIN ON TAIL

ROW SPECIFICATION  
-D: DOUBLE



(\* = NOT TOOLED)

| ST5 LEAD STYLE | SS5 LEAD STYLE |            |
|----------------|----------------|------------|
|                | -3.00          | -3.50      |
| -1.00          | 4.0 [0.16]     | 4.5 [0.18] |
| -1.50          | 4.5 [0.18]     | 5.0 [0.20] |
| -2.50          | 5.5 [0.22]     | 6.0 [0.24] |



| LEAD STYLE | "D"          | "E"          | "F"          | BODY          | TERMINAL      |
|------------|--------------|--------------|--------------|---------------|---------------|
| -1.00      | 1.00 [0.039] | 3.08 [0.121] | 0.80 [0.031] | ST5-XX-1.00-D | T-1M50-1.00-X |
| -1.50      | 1.50 [0.059] | 3.58 [0.141] | 0.80 [0.031] | ST5-XX-1.00-D | T-1M50-1.50-X |
| -2.50      | 2.50 [0.098] | 4.58 [0.180] | 1.80 [0.071] | ST5-XX-2.50-D | T-1M50-2.50-X |

FIG 1  
ST5-20-1.00-X-D-P-XR SHOWN

NOTES:

- ⊕ REPRESENTS A CRITICAL DIMENSION.
- MINIMUM PUSHOUT FORCE: SIGNAL: 1.11N [0.25 LB].
- NOTE DELETED.
- ORDERS WILL BE PACKAGED ACCORDING TO THE SAMTEC PACKAGING EFFICIENCY STANDARDS (SPES) FOUND ON WWW.SAMTEC.COM.
- ATTACH LABEL-4X2 TO EACH REEL.

UNLESS OTHERWISE SPECIFIED, DIMENSIONS ARE IN MILLIMETERS. TOLERANCES ARE:  
DECIMALS ANGLES  
X.X: ±0.3 [0.1]  
X.XX: ±0.13 [0.05]  
X.XXX: ±0.051 [0.020]

PROPRIETARY NOTE  
THIS DOCUMENT CONTAINS CONFIDENTIAL AND PROPRIETARY INFORMATION AND ALL DESIGN, MANUFACTURING, REPRODUCTION, USE, PATENT RIGHTS AND SALES RIGHTS ARE EXPRESSLY RESERVED BY SAMTEC, INC. THIS DOCUMENT SHALL NOT BE DISCLOSED, IN WHOLE OR PART, TO ANY UNAUTHORIZED PERSON OR ENTITY NOR REPRODUCED, TRANSFERRED OR INCORPORATED IN ANY OTHER PROJECT IN ANY MANNER WITHOUT THE EXPRESS WRITTEN CONSENT OF SAMTEC, INC.

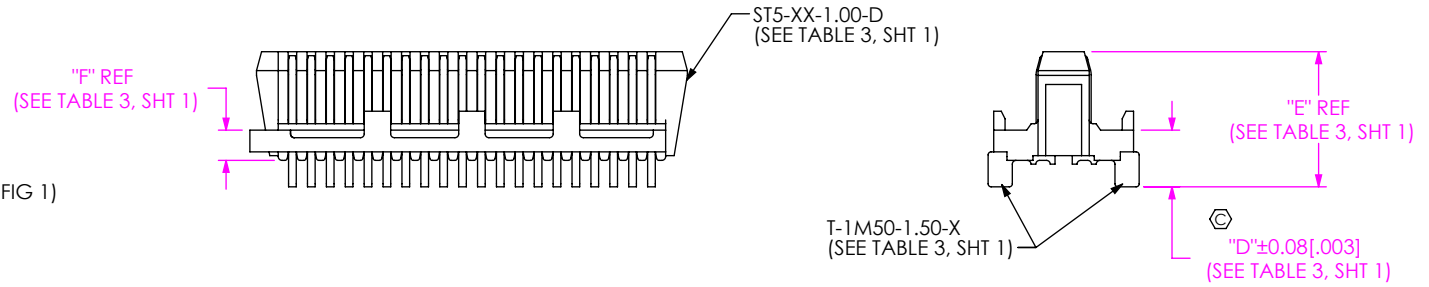
MATERIAL: DO NOT SCALE DRAWING SHEET SCALE: 2:1  
INSULATOR: LCP, UL 94 V0, COLOR: BLACK  
TERMINAL: PHOS BRONZE



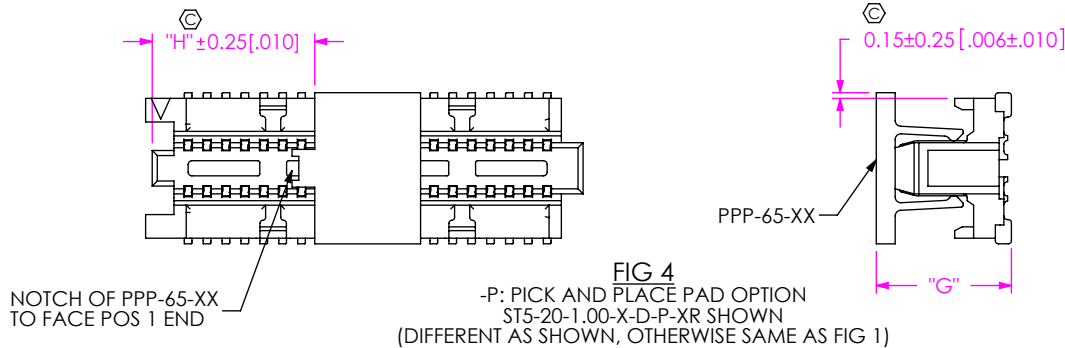
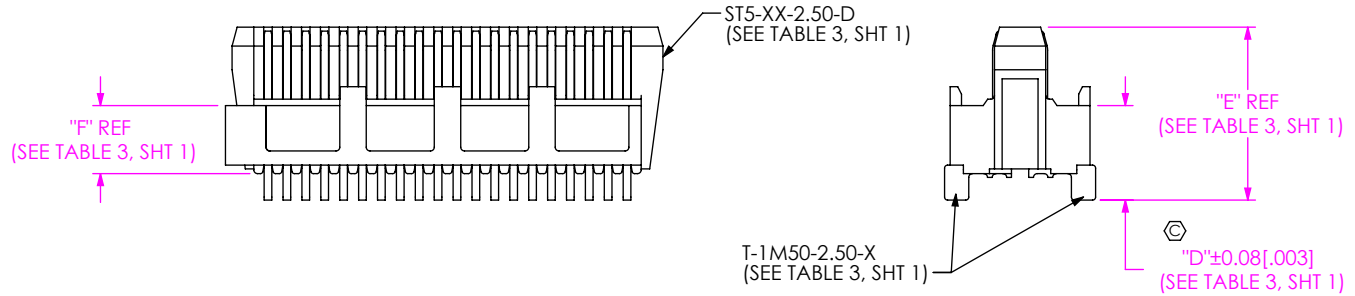
520 PARK EAST BLVD, NEW ALBANY, IN 47150  
PHONE: 812-944-6733 FAX: 812-948-5047  
e-Mail: info@SAMTEC.com code: 55322

DESCRIPTION:  
0.5mm TERMINAL STRIP ASSEMBLY  
DWG. NO.  
ST5-XX-X.XX-X-D-P-XR  
BY: ROY LUO 03/29/2012 SHEET 1 OF 2

**FIG 2**  
-1.50 LEAD STYLE  
ST5-20-1.50-X-D-P-XR SHOWN  
(DIFFERENT AS SHOWN, OTHERWISE SAME AS FIG 1)



**FIG 3**  
-2.50 LEAD STYLE  
ST5-20-2.50-X-D-P-TXR SHOWN  
(DIFFERENT AS SHOWN, OTHERWISE SAME AS FIG 1)



| LEAD STYLE | "G"          |
|------------|--------------|
| -1.00      | 3.58 [0.141] |
| -1.50      | 4.08 [0.161] |
| -2.50      | 5.08 [0.200] |

| No OF POS | "H"           |
|-----------|---------------|
| -10       | 1.80 [0.071]  |
| -15       | 3.22 [0.127]  |
| -20       | 4.30 [0.169]  |
| -30       | 6.80 [0.268]  |
| -40       | 9.30 [0.366]  |
| -50       | 11.80 [0.465] |
| -60       | 14.30 [0.563] |
| -70       | 16.80 [0.661] |
| -80       | 19.30 [0.760] |

**PROPRIETARY NOTE**  
THIS DOCUMENT CONTAINS CONFIDENTIAL AND PROPRIETARY INFORMATION AND ALL DESIGN, MANUFACTURING, REPRODUCTION, USE, PATENT RIGHTS AND SALES RIGHTS ARE EXPRESSLY RESERVED BY SAMTEC, INC. THIS DOCUMENT SHALL NOT BE DISCLOSED, IN WHOLE OR PART, TO ANY UNAUTHORIZED PERSON OR ENTITY NOR REPRODUCED, TRANSFERRED OR INCORPORATED IN ANY OTHER PROJECT IN ANY MANNER WITHOUT THE EXPRESS WRITTEN CONSENT OF SAMTEC, INC.

DO NOT SCALE DRAWING

SHEET SCALE: 5:1



520 PARK EAST BLVD, NEW ALBANY, IN 47150  
PHONE: 812-944-6733 FAX: 812-948-5047  
e-Mail: info@SAMTEC.com code: 55322

DESCRIPTION:  
0.5mm TERMINAL STRIP ASSEMBLY

DWG. NO.  
**ST5-XX-X.XX-X-D-P-XR**

BY: ROY LUO 03/29/2012 SHEET 2 OF 2