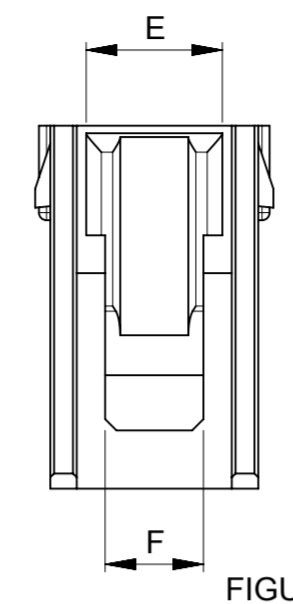
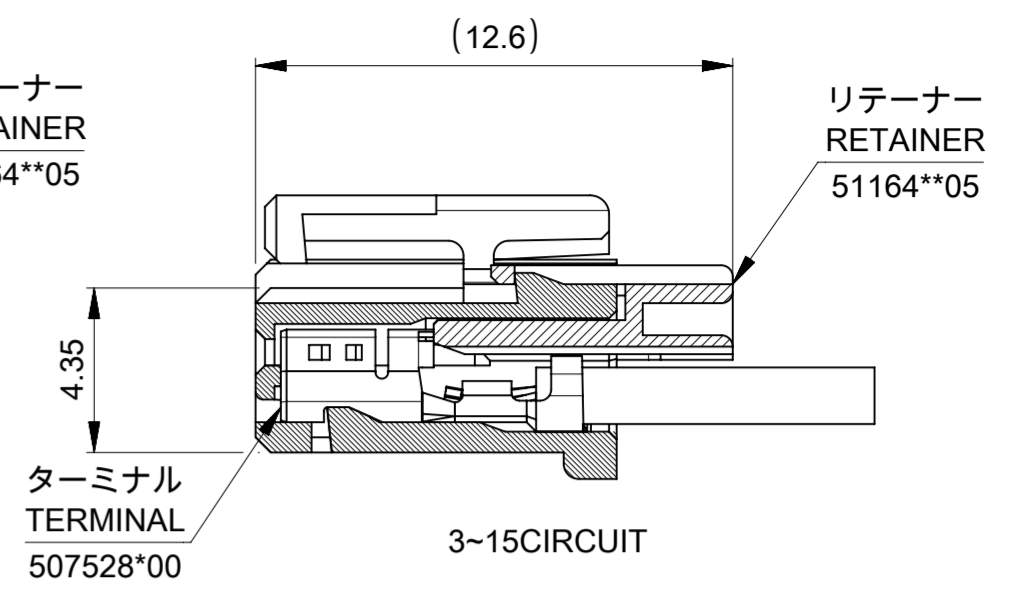
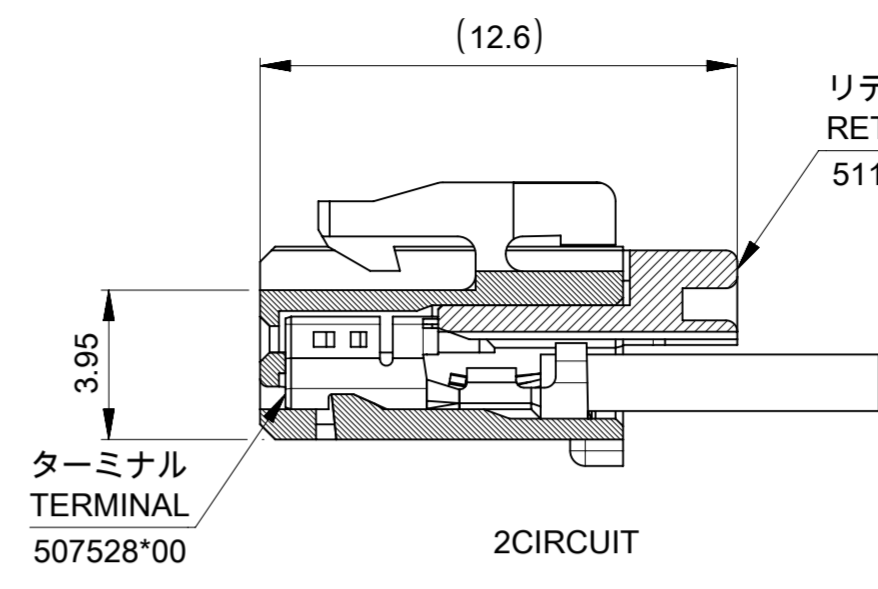


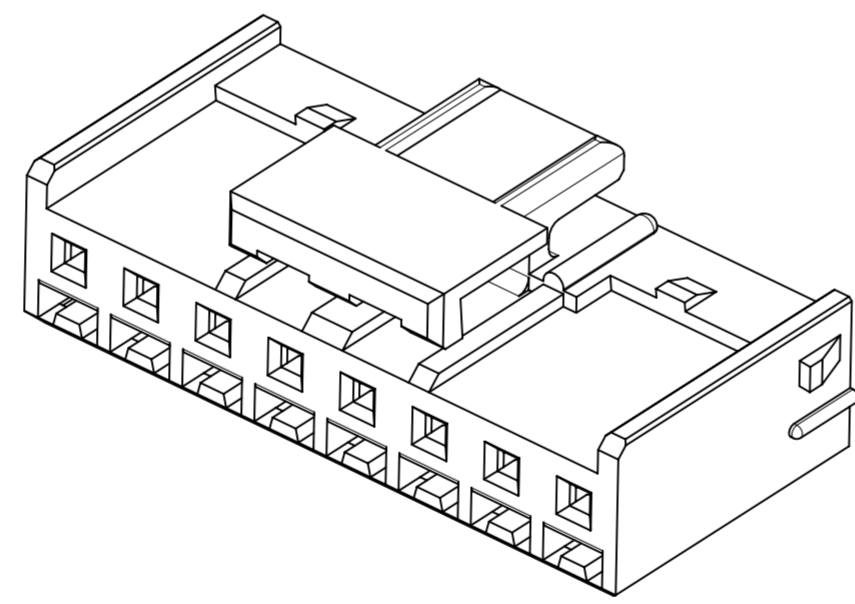
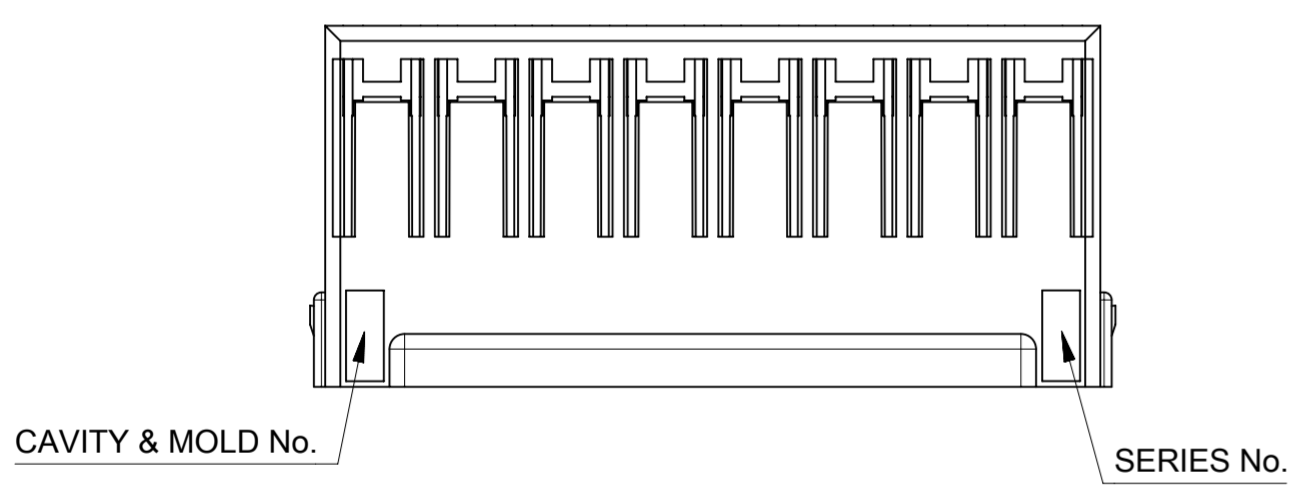
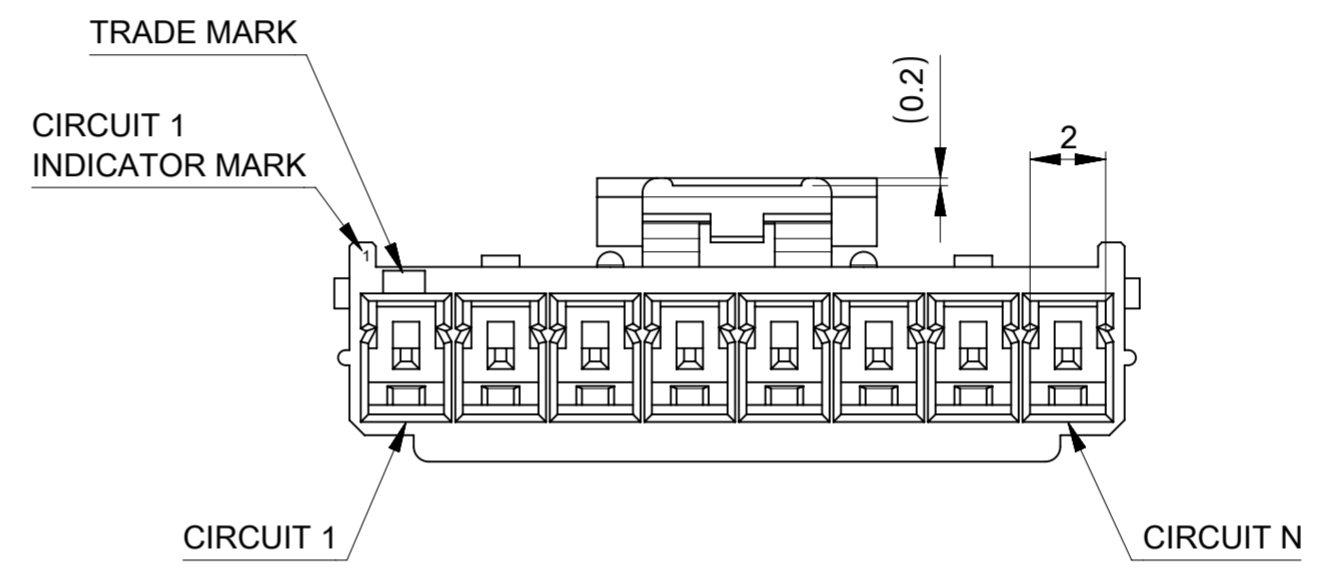
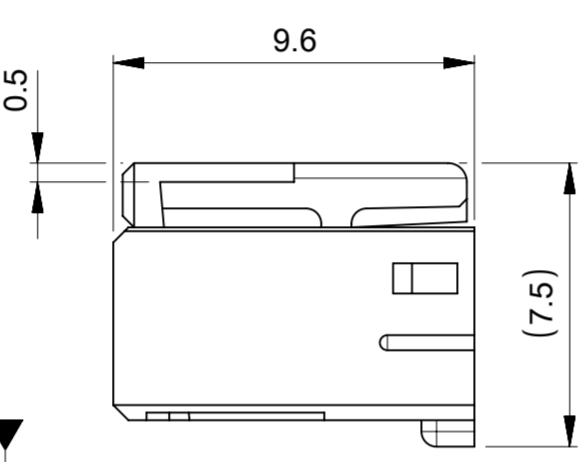
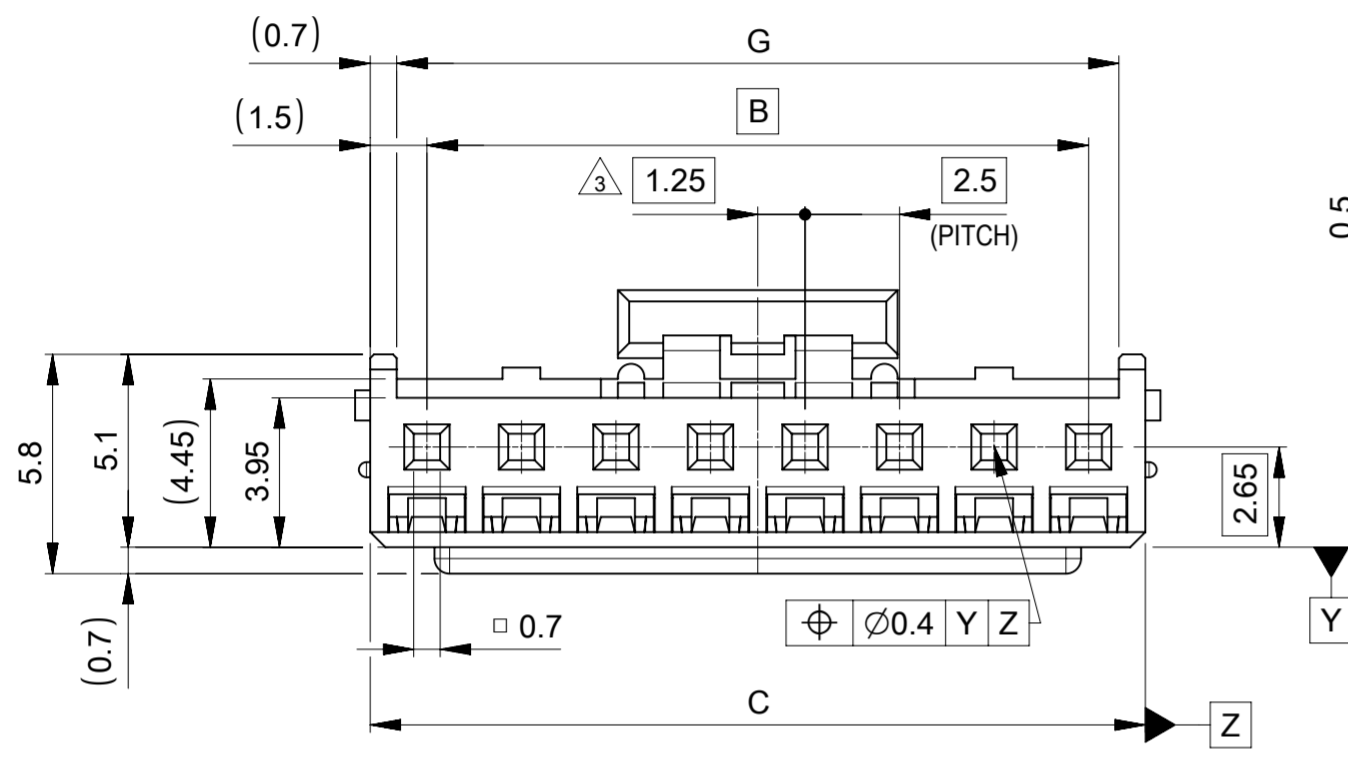
2極ロック形状
2CIRCUIT LOCK FORM



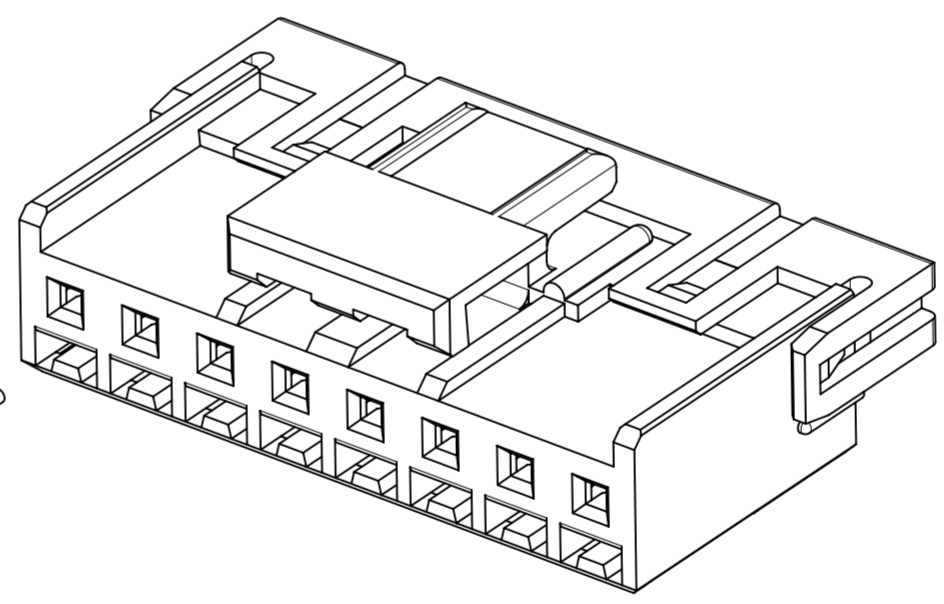
2極形状
FIGURE OF 2 CIRCUIT



ターミナル及びリテーナー装着状態図
TERMINAL AND RETAINER ASSEMBLY DRAWING



リテーナー未装着状態図
ASSEMBLY DRAWING



リテーナー装着状態図
RETAINER ASSEMBLY DRAWING

| | | | | | | | | |
|------|-----|-----|------|------|------|------|-------------------|--------------------|
| 36.6 | 7.4 | 5 | 12.5 | 38 | 35 | 38.8 | 5116315** | 15 |
| 34.1 | 7.4 | 5 | 12.5 | 35.5 | 32.5 | 36.3 | 5116314** | 14 |
| 31.6 | 7.4 | 5 | 12.5 | 33 | 30 | 33.8 | 5116313** | 13 |
| 29.1 | 7.4 | 5 | 12.5 | 30.5 | 27.5 | 31.3 | 5116312** | 12 |
| 26.6 | 7.4 | 5 | 12.5 | 28 | 25 | 28.8 | 5116311** | 11 |
| 24.1 | 7.4 | 5 | 12.5 | 25.5 | 22.5 | 26.3 | 5116310** | 10 |
| 21.6 | 7.4 | 5 | 12.5 | 23 | 20 | 23.8 | 5116309** | 9 |
| 19.1 | 7.4 | 5 | 12.5 | 20.5 | 17.5 | 21.3 | 5116308** | 8 |
| 16.6 | 7.4 | 5 | - | 18 | 15 | 18.8 | 5116307** | 7 |
| 14.1 | 7.4 | 5 | - | 15.5 | 12.5 | 16.3 | 5116306** | 6 |
| 11.6 | 7.4 | 5 | - | 13 | 10 | 13.8 | 5116305** | 5 |
| 9.1 | 7.4 | 5 | - | 10.5 | 7.5 | 11.3 | 5116304** | 4 |
| 6.6 | 5 | 3 | - | 8 | 5 | 8.8 | 5116303** | 3 |
| 4.1 | 2.6 | 3.6 | - | 5.5 | 2.5 | 6.3 | 5116302** | 2 |
| G | F | E | D | C | B | (A) | 発注番号 ORDER No. | 極数 CIRCUIT SIZE |

- NOTE
- △ 材料：TABLE1参照
MATERIAL:SEE TABLE1
 - △ 適合ハウジング, 嵌合相手, 関連ドキュメントについてはSHEET 2 を御参照ください。
PLEASE REFER TO SHEET 2 FOR APPLICABLE HOUSING, MATING PARTNER AND RELATED DOCUMENTS.
 - △ 偶数極に適用
APPLY FOR EVEN CIRCUIT.
 - 4. 本製品のプラスチック部に黒点等が確認される場合や、色合いが異なる場合が御座いますが、製品性能に影響は御座いません
THERE IS NO INFLUENCE IN THE PRODUCT PERFORMANCE IN CASE THAT THE BLACK SPOT OR BUBBLE ETC. MIGHT BE APPEARED ON THE PLASTIC PART OF THIS PRODUCT AND THE COLOR SHADE MIGHT BE DIFFERENT.
 - 5. GLOW WIRE TEST適合品
THIS PRODUCT IS GLOW WIRE TEST COMPATIBLE.

△ TABLE1

| 部品 PART | 材質 MATERIAL |
|------------------|---|
| ハウジング HOUSING | 51163**00 ポリエステル(PBT):ガラス非含有,UL94V-0,色:ナチュラル(白) POLYESTER(PBT):GLASS UNFILLED,UL94V-0,COLOR:NATURAL(WHITE) |
| | 51163**41 ポリアミド(PA):ガラス非含有,UL94V-0,色:黒 POLYAMIDE(PA):GLASS UNFILLED,UL94V-0,COLOR:BLACK |

| | | | |
|-----------------|----|--------------|---------------------|
| DOCUMENT STATUS | P1 | RELEASE DATE | 2023/05/15 02:57:18 |
|-----------------|----|--------------|---------------------|

THIS DRAWING CONTAINS INFORMATION THAT IS PROPRIETARY TO MOLEX ELECTRONIC TECHNOLOGIES, LLC AND SHOULD NOT BE USED WITHOUT WRITTEN PERMISSION

| | | | | | |
|--|-------|----------------------------|---|----------|----------|
| DIMENSION UNITS | SCALE | CURRENT REV DESC: | molex | | |
| mm | NTS | | | | |
| GENERAL TOLERANCES (UNLESS SPECIFIED) | | | MINI-LOCK 2.5 SINGLE ROW RECEPTACLE HOUSING WITH RETAINER | | |
| ANGULAR TOL ± 3.0° | | | | | |
| 4 PLACES | ± 0.2 | EC NO: 652870 | PRODUCT CUSTOMER DRAWING | | |
| 3 PLACES | ± 0.2 | DRWN: MIKEDA01 2023/03/27 | | | |
| 2 PLACES | ± 0.2 | CHK'D: SAKIYAMA 2023/05/11 | DOCUMENT NUMBER | | |
| 1 PLACE | ± 0.2 | APPR: AIDA 2023/05/15 | | | |
| 0 PLACES | ± 0.2 | INITIAL REVISION: | 51163000-SD | | |
| DRAFT WHERE APPLICABLE MUST REMAIN WITHIN DIMENSIONS | | | | | |
| THIRD ANGLE PROJECTION | | | DOC TYPE | DOC PART | REVISION |
| DRAWING | | | PSD | 000 | B |
| SERIES | | | SHEET NUMBER | | |
| A2-SIZE 51163 | | | 1 OF 2 | | |
| MATERIAL NUMBER | | | CUSTOMER | | |
| GENERAL | | | GENERAL | | |

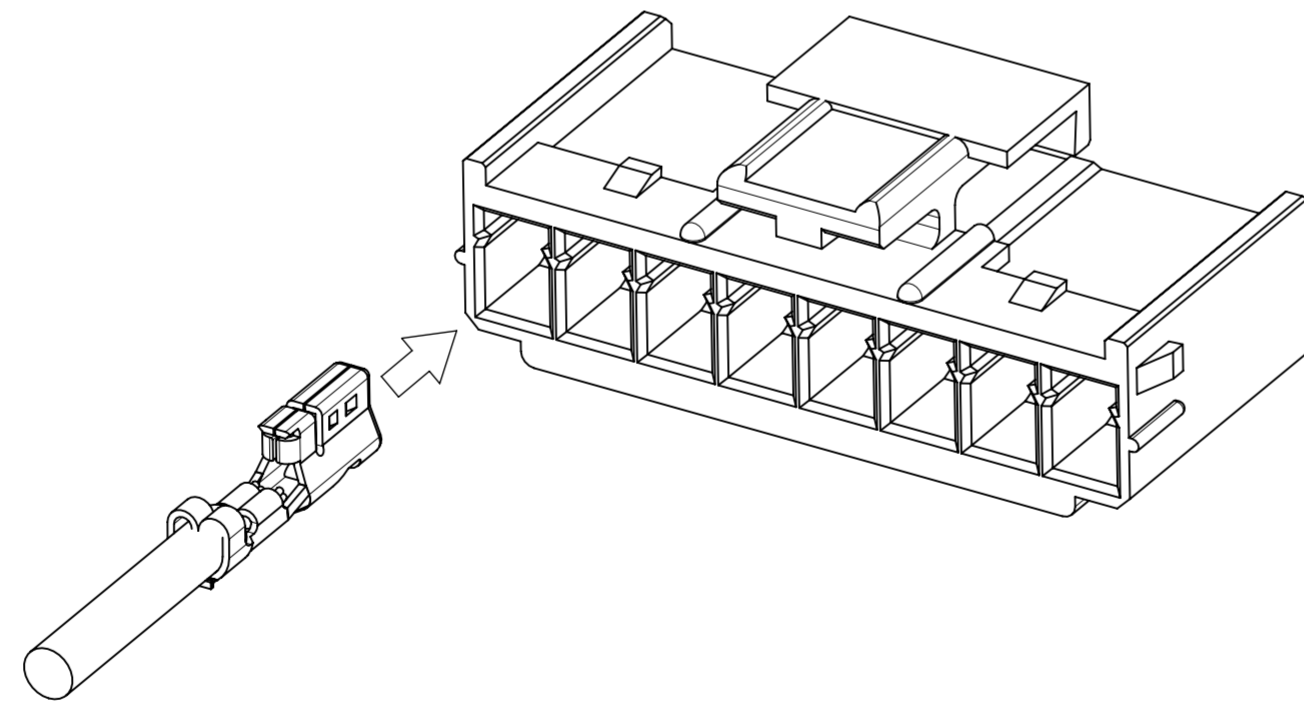
△ 適合製品及び各種仕様書
 APPLICABLE PRODUCT AND VARIOUS SPECIFICATIONS

| | | |
|----------------------------------|-------------|----------------------|
| 梱包仕様書 PACKAGING SPECIFICATION | PART NUMBER | SPECIFICATION NUMBER |
| | 51163**0* | 511639200-SPK 200 |

| | | | |
|-----------------------------|-------------|--------------|----------------|
| 適合端子 APPLICABLE TERMINAL | PART NUMBER | PLATING TYPE | WIRE SIZE(AWG) |
| | 507528200 | TIN | #20-#22 |
| | 507528400 | TIN | #24-#26 |

| | | | | |
|------------------------------------|----------------------|------------------------|---------------|------------------|
| 適合リテーナー APPLICABLE RETAINER | 51164 | | | |
| シリーズ番号 SERIES No. | | | | |
| 適合嵌合相手 MATE WITH | THROUGH HOLE | | SURFACE MOUNT | |
| | VERTICAL | VERTICAL (FOR POTTING) | RIGHT ANGLE | VERTICAL |
| | TIN PLATING | | TIN PLATING | TIN PLATING |
| | 53375 53476 | 53517 | 53426 | 215931 215932 |
| 製品仕様書 PRODUCT SPECIFICATION | 511630000-PS PS 000 | | | |
| 取扱説明書 APPLICATION SPECIFICATION | 2166940000-AS PS 000 | | | |

製品嵌合図は各"適合嵌合相手"図面参照のこと
 MATING VIEW : REFER TO EACH "MATE WITH" PART DRAWING.

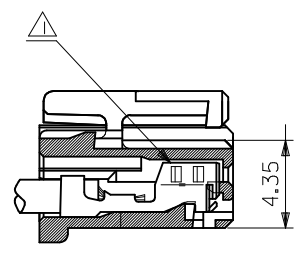
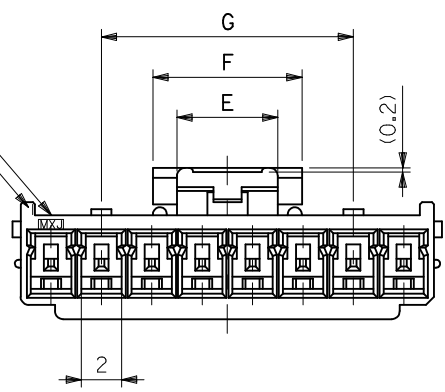


圧着ケーブル挿入方向
 HARNESS ASSY INSERTION DIRECTION

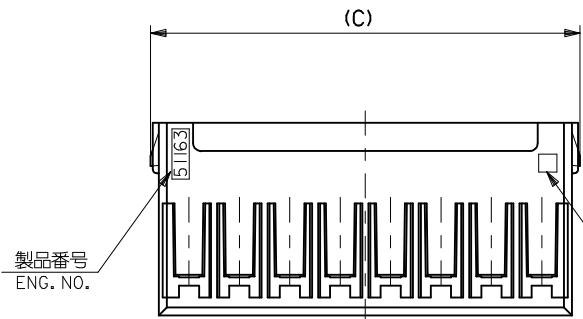
| | | |
|---------------------|----------------------------|-------------------------|
| 黒 BLACK | ナチュラル(白) NATURAL(WHITE) | ハウジング色 HOUSING COLOR |
| PA GF0, UL94 V-0 | PBT GF0, UL94 V-0 | 樹脂種 RESIN TYPE |
| 511631541 | 511631500 | 15 |
| 511631441 | 511631400 | 14 |
| 511631341 | 511631300 | 13 |
| 511631241 | 511631200 | 12 |
| 511631141 | 511631100 | 11 |
| 511631041 | 511631000 | 10 |
| 511630941 | 511630900 | 9 |
| 511630841 | 511630800 | 8 |
| 511630741 | 511630700 | 7 |
| 511630641 | 511630600 | 6 |
| 511630541 | 511630500 | 5 |
| 511630441 | 511630400 | 4 |
| 511630341 | 511630300 | 3 |
| 511630241 | 511630200 | 2 |
| 発注番号 ORDER NO. | | 極数 CIRCUIT SIZE |

| | | | | | | | | | |
|---|--------|---|---------|----------|----------|--------------|--------|--|--|
| THIS DRAWING CONTAINS INFORMATION THAT IS PROPRIETARY TO MOLEX ELECTRONIC TECHNOLOGIES, LLC AND SHOULD NOT BE USED WITHOUT WRITTEN PERMISSION | | | | | | | | | |
| DIMENSION UNITS | SCALE | CURRENT REV DESC: | | | | | | | |
| mm | NTS | EC NO: 652870 DRWN: MIKEDA01 2023/03/27 CHK'D: SAKIYAMA 2023/05/11 APPR: AIDA 2023/05/15 INITIAL REVISION: DRWN: RWATANABE01 2019/04/22 APPR: SAKIYAMA 2020/09/28 | | | | | | | |
| GENERAL TOLERANCES (UNLESS SPECIFIED) | | | | | | | | | |
| ANGULAR TOL | ± 3.0° | | | | | | | | |
| 4 PLACES | ± 0.2 | | | | | | | | |
| 3 PLACES | ± 0.2 | | | | | | | | |
| 2 PLACES | ± 0.2 | DOCUMENT NUMBER | | DOC TYPE | DOC PART | REVISION | | | |
| 1 PLACE | ± 0.2 | 511630000-SD | | PSD | 000 | B | | | |
| 0 PLACES | ± 0.2 | MATERIAL NUMBER | | CUSTOMER | | SHEET NUMBER | | | |
| DRAFT WHERE APPLICABLE MUST REMAIN WITHIN DIMENSIONS | | THIRD ANGLE PROJECTION | DRAWING | SERIES | GENERAL | | 2 OF 2 | | |
| | | | A2-SIZE | 51163 | | | | | |

△
トレードマーク
TRADE MARK
回路番号 1
CIRCUIT NO.1

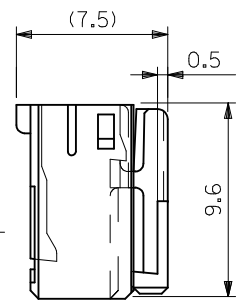


ターミナル装着状態図
TERMINAL ASSEMBLY DRAWING

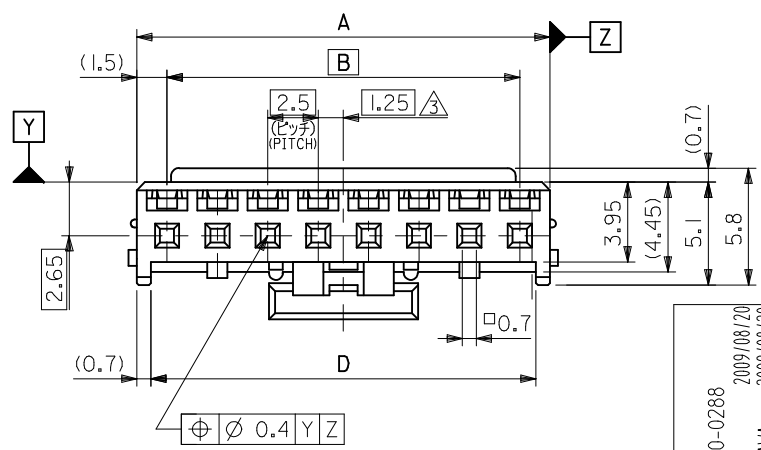


製品番号
ENG. NO.

△
キャビティー番号
及び金型番号
CAVITY NO.
AND MODEL NO.



| | | | | | | | | |
|------|-----|---|------|------|------|------|--------------------------|-------------|
| 12.5 | 7.4 | 5 | 36.6 | 38.8 | 35 | 38 | 51163-158* | 15 |
| ↑ | ↑ | ↑ | 34.1 | 36.3 | 32.5 | 35.5 | ↑ -148* | 14 |
| | | | 31.6 | 33.8 | 30 | 33 | ↑ -138* | 13 |
| | | | 29.1 | 31.3 | 27.5 | 30.5 | ↑ -128* | 12 |
| | | | 26.6 | 28.8 | 25 | 28 | ↑ -118* | 11 |
| | | | 24.1 | 26.3 | 22.5 | 25.5 | ↑ -108* | 10 |
| ↓ | | | 21.6 | 23.8 | 20 | 23 | ↑ -098* | 9 |
| 12.5 | | | 19.1 | 21.3 | 17.5 | 20.5 | ↑ -088* | 8 |
| | | | 16.6 | 18.8 | 15 | 18 | ↑ -078* | 7 |
| | | | 14.1 | 16.3 | 12.5 | 15.5 | ↑ -068* | 6 |
| | | | 11.6 | 13.8 | 10 | 13 | ↑ -058* | 5 |
| | 7.4 | 5 | 9.1 | 11.3 | 7.5 | 10.5 | ↑ -048* | 4 |
| | 5 | 3 | 6.6 | 8.8 | 5 | 8 | ↑ 51163-038* | 3 |
| G | F | E | D | (C) | B | A | MATERIAL AND ORDER No. △ | CIRCUIT No. |



| | | | | | | | | |
|---|---------------------------------------|--|----------------------------|--------------------|---|------------------------|------------------------|-----------|
| REVISED EC NO: J2010-0288 DRWN: YG010 2009/08/20 CHKD: KASAKAWA 2009/08/20 APPR: NUKITA 2009/08/24 | GENERAL TOLERANCES (UNLESS SPECIFIED) | | DIMENSION STYLE MM ONLY | | SCALE 4:1 | DESIGN UNITS METRIC | THIRD ANGLE PROJECTION | |
| | 10 UNDER | ±0.2 | DRAWN BY K. HARADA | DATE 1997/10/2 | TITLE 2.5 W/B CONN HSG (POSITIVE LOCK) | | | |
| | 10 OVER 30 UNDER | ±0.25 | CHECKED BY T. ITO | DATE 1997/11/12 | APPROVED BY M. FUKUSHIMA 1997/11/12 | | | |
| | 30 OVER | ±0.3 | MATERIAL NO. | | MOLEX INCORPORATED | | DOCUMENT NO. | SHEET NO. |
| ANGULAR ±3 ° | | DRAFT WHERE APPLICABLE MUST REMAIN WITHIN DIMENSIONS | | ENTER PART | | SD-51163-**-00 | | 1 OF 2 |
| THIS DRAWING CONTAINS INFORMATION THAT IS PROPRIETARY TO MOLEX INCORPORATED AND SHOULD NOT BE USED WITHOUT WRITTEN PERMISSION | | | | | | | | |

注記 NOTES

- ① 適合ターミナル：5035I-8*00
APPLICABLE TERMINAL : 5035I-8*00
- 2. 嵌合相手：53375,53426 シリーズ
MATE WITH : 53375,53426 SERIES
- ③ 偶数極の製品に適用。
APPLY EVEN CIRCUIT PRODUCTS.
- ④ トレードマーク：Mプラス 1 ~ 2 文字のアルファベットにて構成。(例 MXJ)
但し "J" は JAPAN を示す。
FORMED BY M AND 1 ~ 2 MORE LETTER OF ALPHABET (e.g. MXJ)
(TO TRADE MARK), BUT "J" SHOW JAPAN.
- ⑤ キャビティー番号：1桁~2桁の数字
金型番号：アルファベット1文字にて構成。(例, 1A, 10B)
FORMED BY 1 DIGIT TO 2 DIGIT NUMBERS (TO CAVITY
NO.) AND BY 1 LETTER OF ALPHABET (TO MOLD NO.).
(e.g. 1A, 10B)
- ⑥ MATERIAL AND ORDER No.
51163-**00
CIRCUIT SIZE
極数
- 7. 材料:PBT, UL 94V-0
- 8. 色:白 WHITE (NATURAL)



| | | | | | | | | |
|---|---------------------------|--|-------|-----------------------------|---|---|------------------------|-----------|
| REVISED EC NO: DRWN:Y.GOTO CHKD:K.SAKAWA APPR: C | DESCRIPTION 2009/08/20 | GENERAL TOLERANCES (UNLESS SPECIFIED) | | DIMENSION STYLE MM ONLY | SCALE 4:1 | DESIGN UNITS METRIC | THIRD ANGLE PROJECTION | |
| | | 10 UNDER | ±0.2 | DRAWN BY K. HARADA | DATE 1997/10/2 | TITLE 2.5 W/B CONN HSG (POSITIVE LOCK) | | |
| | | 10 OVER 30 UNDER | ±0.25 | CHECKED BY T. ITO | DATE 1997/11/12 | | | |
| | | 30 OVER | ±0.3 | APPROVED BY M. FUKUSHIMA | DATE 1997/11/12 | MATERIAL NO. | DOCUMENT NO. | SHEET NO. |
| ANGULAR ±3 ° | | DRAFT WHERE APPLICABLE MUST REMAIN WITHIN DIMENSIONS | | ENTER PART | | MOLEX INCORPORATED SD-51163-**00 | | |
| | | | | SIZE A3 | THIS DRAWING CONTAINS INFORMATION THAT IS PROPRIETARY TO MOLEX INCORPORATED AND SHOULD NOT BE USED WITHOUT WRITTEN PERMISSION | | | |