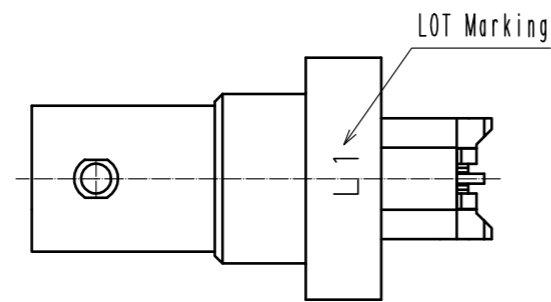


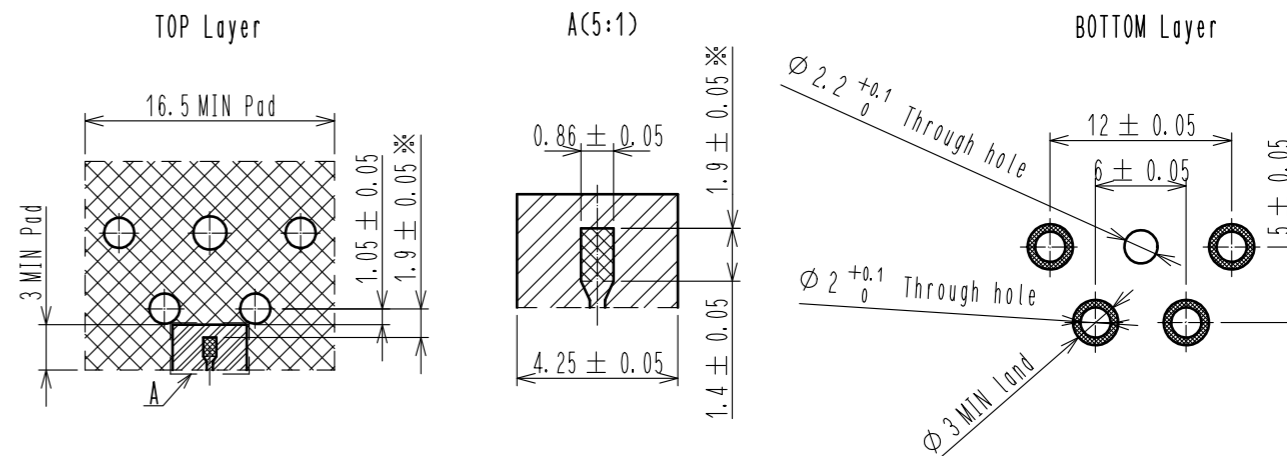
Jun.1.2024 Copyright 2024 HIROSE ELECTRIC CO., LTD. All Rights Reserved.
In case of consideration for using Automotive equipment / device which demand high reliability, kindly contact our sales window correspondents.



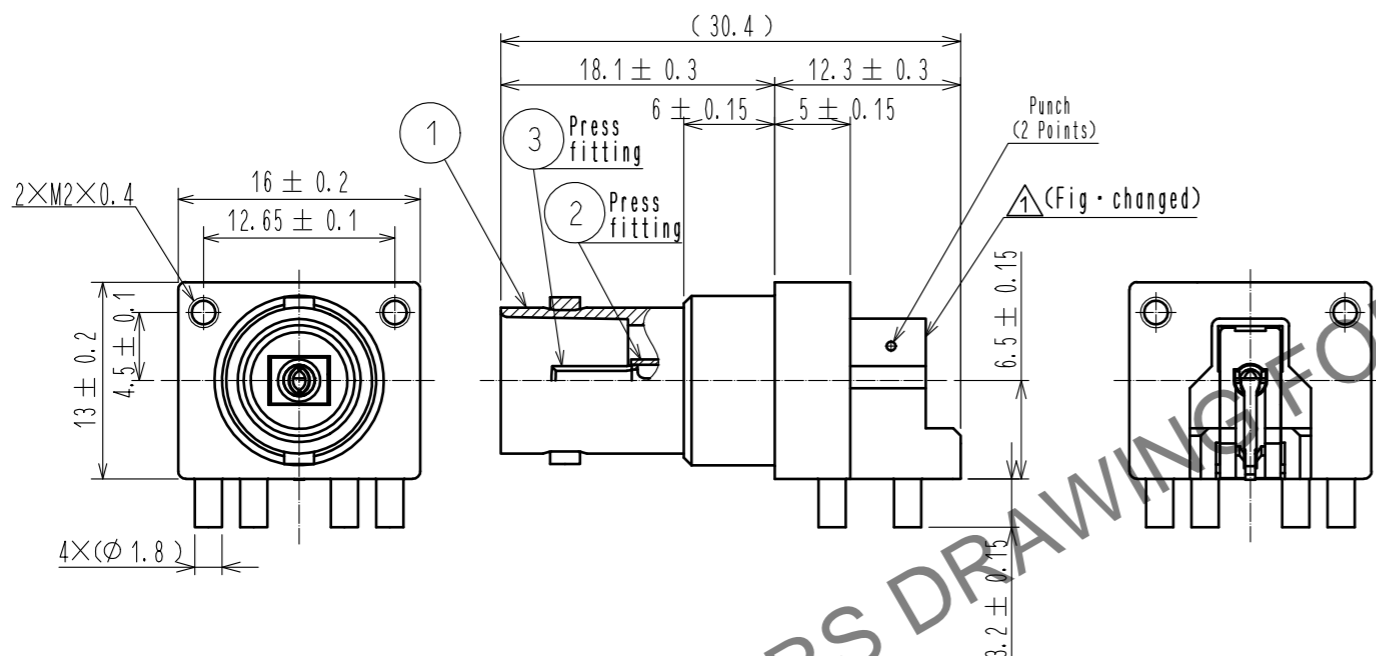
Recommended PCB Layout (t=1.6 FR4)

Land/Pad Part

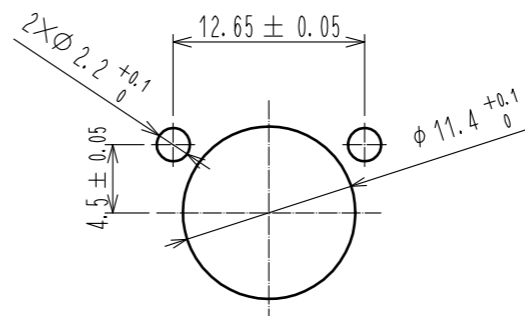
Resist Part



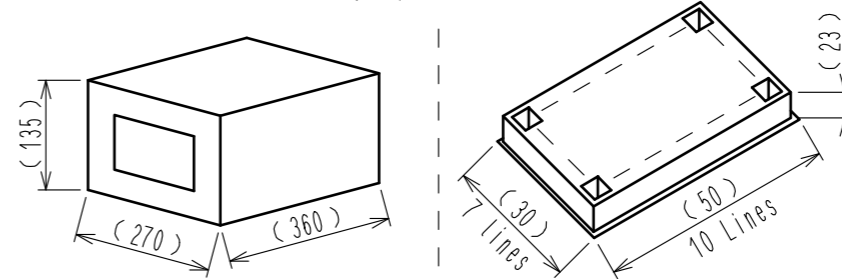
Note 1. ※ indicates duplicate dimension.
2. This pattern is an example of the PCB.
(thickness=1.6mm, material=FR4, layer thickness containing plating=0.035mm)



Reference: Panel Layout (Thickness 0.5~2.5mm)
Screw: M2×0.4

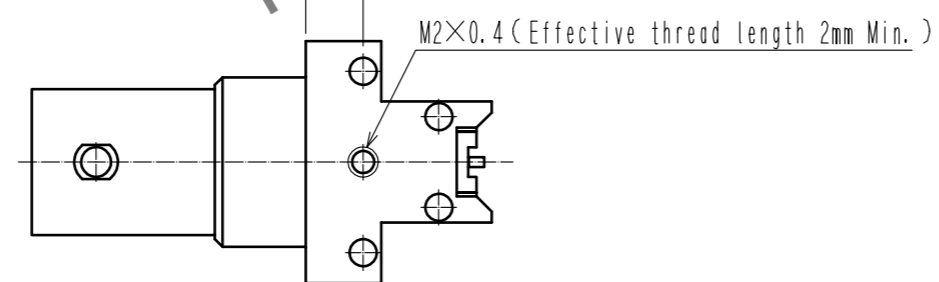


Packing specification (FREE)



Packing unit: max 250pcs/box
(Max 4 trays /box)

Max 70pcs/tray
(There is some fraction trays)



| | | | | | | | |
|-------|------------|-----------------|-------|--------------------------|-----------------|-------------------------------|-------------|
| 2 | SPS | | | | | | |
| 1 | ZINC ALLOY | NICKEL PLATING | 3 | BERYLLIUM COPPER | GOLD PLATING | | |
| NO. | MATERIAL | FINISH, REMARKS | NO. | MATERIAL | FINISH, REMARKS | | |
| UNITS | | SCALE | COUNT | DESCRIPTION OF REVISIONS | | DESIGNED | CHECKED |
| mm | | 2 : 1 | 1 | DIS-D-00001222 | | MA. SAEKI | KY. SHIMIZU |
| | | | | APPROVED | 16.03.04 | DRAWING NO. EDC-368283-00-00 | |
| | | | | CHECKED | 16.03.04 | PART NO. BNC(75)-PLR-PC-12G-1 | |
| | | | | DESIGNED | 16.03.04 | CODE NO. CL302-0083-0-00 | |
| | | | | DRAWN | 16.03.04 | | |
| | | | | | | 1/1 | |