

3-640311-1 ✓ ACTIVE

AMP-IN

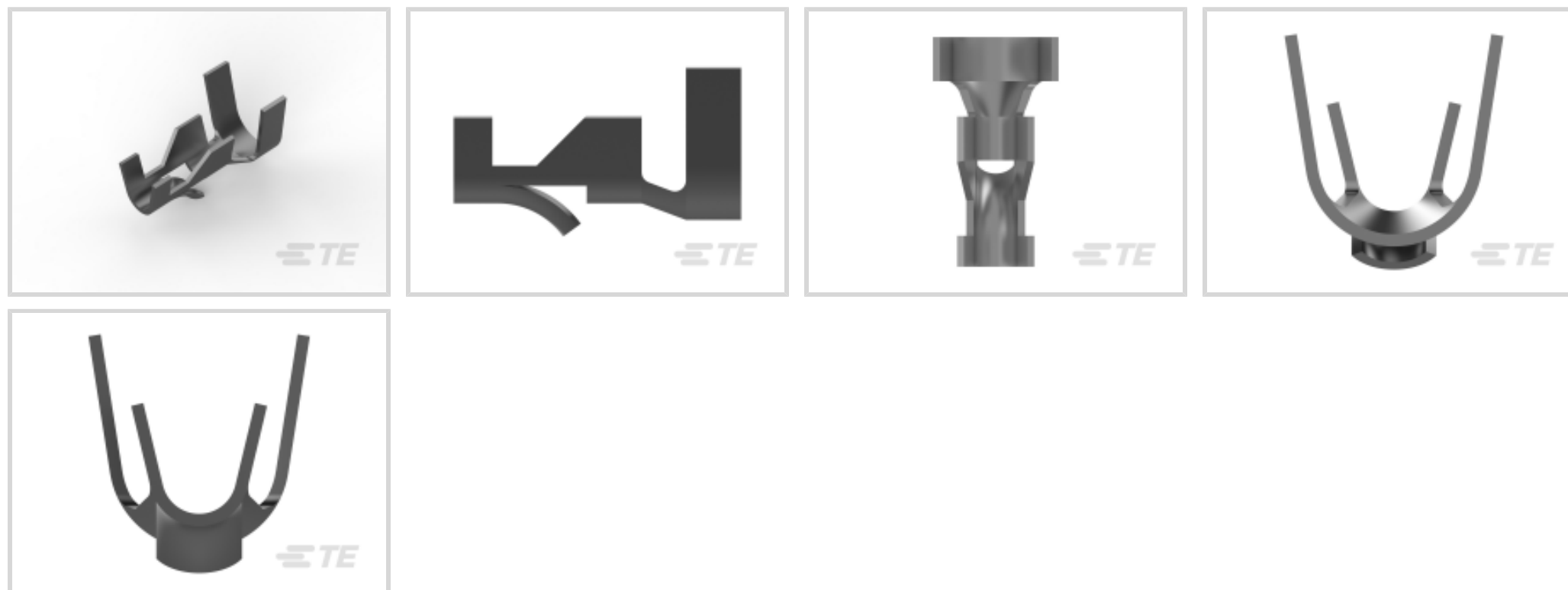
TE Internal #: 3-640311-1

PCB Pin, PCB Hole Diameter 1.83 mm [.072 in], 22 – 18 AWG Wire Size, .3 – .9 mm<sup>2</sup> Wire Size, Through Hole - Solder, Pre-Tin Plating, PCB Terminals

[View on TE.com >](#)



Terminals & Splices > PCB Terminals



PCB Terminal Type: **PCB Pin**

PCB Thickness (Recommended): **1.57 mm [.062 in]**

PCB Hole Diameter: **1.83 mm [.072 in]**

Profile Height from PCB: **1.35 mm [.053 in]**

Compatible Insulation Diameter (Max): **2.79 mm [.11 in]**

### Features

#### Product Type Features

|                   |           |
|-------------------|-----------|
| Terminal Features | Stud Hole |
|-------------------|-----------|

#### Contact Features

|  |                  |
|--|------------------|
| Terminal Plating Finish                        | Bright           |
| Contact Mating Area Plating Material Thickness | 5.08 μm[200 μin] |
| PCB Terminal Type                              | PCB Pin          |
| Terminal Plating Material                      | Pre-Tin          |
| Terminal Size                                  | Miniature        |
| Terminal Orientation                           | Straight         |

#### Termination Features

|                           |                       |
|---------------------------|-----------------------|
| Termination Method to PCB | Through Hole - Solder |
| Product Terminates To     | Printed Circuit Board |

#### Mechanical Attachment

|                         |      |
|-------------------------|------|
| Wire Insulation Support | With |
|-------------------------|------|



### Dimensions

|                                      |                               |
|--------------------------------------|-------------------------------|
| Extension Below Board                | 3.68 mm [.145 in]             |
| PCB Thickness (Recommended)          | 1.57 mm [.062 in]             |
| PCB Hole Diameter                    | 1.83 mm [.072 in]             |
| Profile Height from PCB              | 1.35 mm [.053 in]             |
| Compatible Insulation Diameter (Max) | 2.79 mm [.11 in]              |
| Compatible Insulation Diameter Range | 1.52 – 2.79 mm [.06 – .11 in] |
| Wire Size                            | .3 – .9 mm <sup>2</sup>       |

### Usage Conditions

|                             |                             |
|-----------------------------|-----------------------------|
| Insulation Option           | Uninsulated                 |
| Operating Temperature Range | -55 – 105 °C [-67 – 221 °F] |

### Packaging Features

|                    |      |
|--------------------|------|
| Packaging Quantity | 8000 |
| Packaging Method   | Reel |

### Product Compliance

[For compliance documentation, visit the product page on TE.com>](#)

|   |   |
|---|---|
| EU RoHS Directive 2011/65/EU                  | Compliant   |
| EU ELV Directive 2000/53/EC                   | Compliant   |
| China RoHS 2 Directive MIIT Order No 32, 2016 | No Restricted Materials Above Threshold   |
| EU REACH Regulation (EC) No. 1907/2006        | Current ECHA Candidate List: JUNE 2024 (241)<br>Candidate List Declared Against: JUNE 2024 (241)<br>Does not contain REACH SVHC |
| Halogen Content                               | Low Halogen - Br, Cl, F, I < 900 ppm per homogenous material. Also BFR/CFR/PVC Free   |
| Solder Process Capability                     | Wave solder capable to 265°C  |

#### Product Compliance Disclaimer

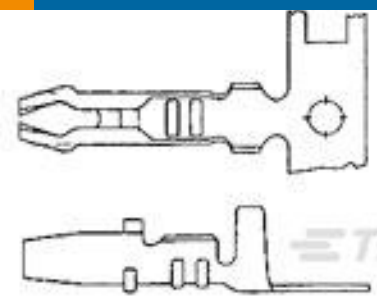
This information is provided based on reasonable inquiry of our suppliers and represents our current actual knowledge based on the information they provided. This information is subject to change. The part numbers that TE has identified as EU RoHS compliant have a maximum concentration of 0.1% by weight in homogenous materials for lead, hexavalent chromium, mercury, PBB, PBDE, DBP, BBP, DEHP, DIBP, and 0.01% for cadmium, or qualify for an exemption to these limits as defined in the Annexes of Directive 2011/65/EU (RoHS2). Finished electrical and electronic equipment products will be CE marked as required by Directive 2011/65/EU. Components may not be CE marked. Additionally, the part numbers that TE has identified as EU ELV compliant have a maximum concentration of 0.1% by weight in homogenous materials for lead, hexavalent chromium, and mercury, and 0.01% for cadmium, or qualify for an exemption to these limits as defined in the Annexes of Directive 2000/53/EC (ELV). Regarding the REACH Regulation, the information TE provides

on SVHC in articles for this part number is based on the latest European Chemicals Agency (ECHA) 'Guidance on requirements for substances in articles' posted at this URL: <https://echa.europa.eu/guidance-documents/guidance-on-reach>

## Compatible Parts



TE Part # 640311-5  
MINI AMP-IN 22-18 AWG POST TIN PLTD



TE Part # 170072-6  
AMP-IN KONTAKT



TE Part # 170197-2  
MINI AMP-IN 24-20 AWG



TE Part # 2151209-1  
OCEAN\_2.0\_Applicator-S-062F110F-RSM



TE Part # 2151209-2  
OCEAN\_2.0\_Applicator-S-062F110F-RSA



**KIT**  
TE Part # 7-2151209-7  
OCEAN\_2.0\_SPARE\_PART\_KIT-062F110F



**KIT**  
TE Part # 7-2151209-8  
OCEAN\_2.0\_SPARE\_PART\_KIT-062F062F110F



TE Part # 170197-1  
MINI AMP-IN 24-20 AWG

## Customers Also Bought



TE Part #2204080-1  
200A R/A Pluggable Busbar Connector



TE Part #953118-4  
40pos MQS .63 header 180deg



TE Part #2286547-1  
HSD,HDR ASSY,180DEG,COD A

TE Part #1372157-4  
ANVIL SLEEVE

TE Part #1642624-4  
FSN-73.2Z-4

TE Part #2204761-5  
IN-LINE MOUNT 300A BUSBAR CONN.

TE Part #3-1372415-6  
FINGER

TE Part #3-539480-2  
ROLLENHALTER

## Documents

### Product Drawings

[MINI AMP-IN 22-18 AWG .008PTPPHBZ](#)

English



### CAD Files

#### Customer View Model

[ENG\\_CVM\\_CVM\\_3-640311-1\\_Y.2d\\_dxf.zip](#)

English

#### 3D PDF

3D

#### Customer View Model

[ENG\\_CVM\\_CVM\\_3-640311-1\\_Y.3d\\_igs.zip](#)

English

#### Customer View Model

[ENG\\_CVM\\_CVM\\_3-640311-1\\_Y.3d\\_stp.zip](#)

English

By downloading the CAD file I accept and agree to the [Terms and Conditions](#) of use.

### Datasheets & Catalog Pages

[PRINTED CIRCUIT BOARD TERMINALS AND DISCONNECTS](#)

English

### Product Specifications

[Application Specification](#)

English