

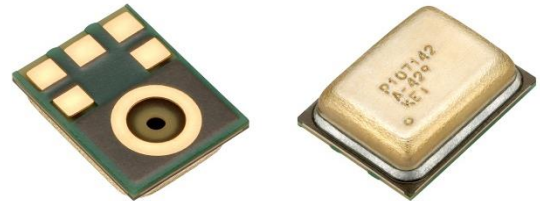
I2S Output Digital Microphone

SPH0645LM4H-1 Rev A
Datasheet

The SPH0645LM4H-1 is a miniature, low power, bottom port microphone with an I2S digital output. The solution consists of a proven high performance SiSonic™ acoustic sensor, a serial Analog to Digital convertor, and an interface to condition the signal into an industry standard 24-bit I2S format. The I2S interface simplifies the integration in the system and allow direct interconnect to digital processors, application processors and microcontrollers. Saving the need of an external audio codec, the SPH0645LM4H-1 is perfectly suitable for portable applications where size and power consumption are a constraint.

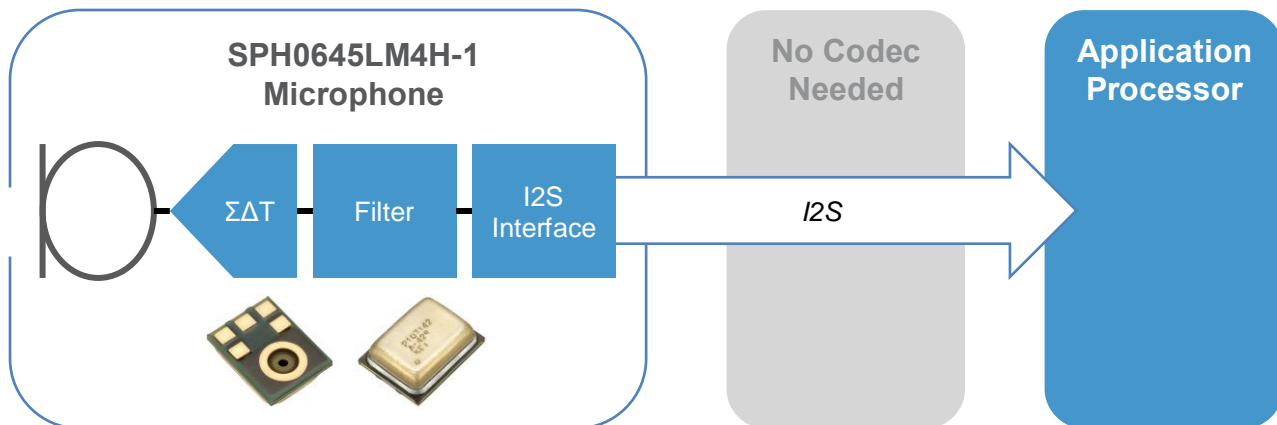
Product Features

- High SNR of 65dB(A)
- Low Current of typ. 600µA
- I2S Output: Direct attach to µP
- Multi modes: standard >1MHz, 600uA / sleep <1kHz, 3uA
- Flat Frequency Response
- RF Shielded
- Supports Dual Microphones
- Ultra-Stable Performance
- Standard SMD Reflow
- Omnidirectional
- Bottom-Ported Microphone
- 3.50 x 2.65 x 0.98 mm SPH Package Size



Typical Applications

- Small portable devices: wearables
- Set-top boxes: TV, gaming, remote controllers
- Smart home devices, Internet of Things, Connected equipment



Absolute Maximum Ratings

Table 1: Absolute Maximum Ratings

| Parameter | Absolute Maximum Rating | Units |
|---------------------------------|-----------------------------|-------|
| VDD, BCLK, WS, SELECT to Ground | -0.3, +5.0 | V |
| Input Current | ±100 | mA |
| Short Circuit to/from DATA | Indefinite to Ground or Vdd | Sec |
| Temperature | -40 to +100 | °C |

Stresses exceeding these “Absolute Maximum Ratings” may cause permanent damage to the device. These are stress ratings only. Functional operation at these or any other conditions beyond those indicated under “Acoustic & Electrical Specifications” is not implied. Exposure beyond those indicated under “Acoustic & Electrical Specifications” for extended periods may affect device reliability.

Acoustic & Electrical Specifications¹

Table 2: TEST CONDITIONS: 25 ±2°C, 55±20% R.H., VDD =1.8V, fCLOCK = 3.072 MHz with a 0.1uF decoupling capacitor across Vdd and GND, unless otherwise indicated

| Parameter | Symbol | Conditions | Min. | Typ. | Max | Units |
|--------------------------------|-----------------------|---|----------------------------|------|------|--------|
| Directivity | | | Omnidirectional | | | |
| Polarity | | Increasing sound pressure | Output Magnitude Increases | | | |
| Functional Temperature | | Functional with lower performance | -40 | - | 100 | °C |
| Operating Temperature | | Specifications guaranteed | 0 | - | 45 | °C |
| Supply Voltage | V _{DD} | | 1.62 | 1.8 | 3.6 | V |
| Clock Frequency | f _{CLOCK} | | 1024 | 3072 | 4096 | kHz |
| Sleep Clock Frequency | f _{sleep} | | - | - | 1 | KHz |
| Supply Current ² | I _{DD} | | - | 600 | - | µA |
| Sleep Current | I _{DD} SLEEP | | - | 3 | 10 | uA |
| Short Circuit Current | I _{SC} | Grounded DATA pin | 2 | - | 10 | mA |
| Sensitivity | S | 94 dB SPL @ 1 kHz | -27 | -26 | -25 | dBFS |
| Signal to Noise Ratio | SNR | 94 dB SPL @ 1 kHz, A-weighted | - | 65 | - | dB(A) |
| DC Offset ⁶ | | Fullscale = ±100 | - | 5 | - | % |
| Total Harmonic Distortion | THD | 94 dB SPL @ 1 kHz, S = Typ. | - | 0.2 | 1 | % |
| Total Harmonic Distortion | THD | 1% THD | 94 | 110 | | dB SPL |
| Acoustic Overload Point | AOP | 10% THD @ 1 kHz, S = Typ. | - | 120 | - | dB SPL |
| Power Supply Rejection Ratio | PSRR | 200 mVpp sine wave@1kHz | - | 80 | - | dB |
| Power Supply Rejection +Noise | PSR+N | 100 mVpp 1/8th duty cycle rectangular wave@217 Hz, VDD = 1.8V, A-weighted | - | -86 | | dB(A) |
| Power-up Time ^{3,4,5} | t _{POWERUP} | V _{DD} ≥ V(min) | - | - | 50 | Ms |

¹ Sensitivity and Supply Current are 100% tested.

² I_{DD} varies with Cload according to: ΔI_{DD} = 0.5*V_{DD}*ΔCload*f_{CLOCK}.

³ Valid microphone states are: Powered Down Mode (mic off), Sleep Mode (low current, DATA = high-Z, fast startup), and Active Mode.

⁴ Time from Fclock < 1 kHz to Isleep specification is met when transitioning from Active Mode to Sleep Mode.

⁵ Time from Fclock ≥ 1 MHz to all applicable specifications are met when transitioning from Sleep Mode to Active Mode.

⁶ DC offset can be removed from the PCM samples if desired by implementing a DC-blocking or high-pass filter.

Microphone Interface Specifications

Table 3: TEST CONDITIONS: 25 ±2°C, 55±20% R.H., VDD =1.8V, fCLOCK = 3.072 MHz with a 0.1uF decoupling capacitor across Vdd and GND, unless otherwise indicated

| Parameter | Symbol | Conditions | Min. | Typ. | Max | Units |
|---|---------------------|--|----------------------|------|-----------------------|--------|
| Logic Input High | V _{IH} | | 0.65xV _{DD} | - | V _{DD} +0.3 | V |
| Logic Input Low | V _{IL} | | -0.3 | - | 0.35xV _{DD} | V |
| Low→High Threshold | V _{L-H} | | 0.55xV _{DD} | | 0.65xV _{DD} | V |
| High→Low Threshold | V _{H-L} | | 0.35xV _{DD} | | 0.45xV _{DD} | V |
| Hysteresis Width | V _{HYST} | | 0.10xV _{DD} | - | 0.29xV _{DD} | V |
| Logic Output High | V _{OH} | I _{OUT} = 2 mA | 0.7*V _{DD} | - | V _{DD} | V |
| Logic Output Low | V _{OL} | I _{OUT} = 2 mA | 0 | - | 0.3 * V _{DD} | V |
| SELECT (high) | | | V _{DD} -0.2 | - | V _{DD} | V |
| SELECT (low) | | | GND | - | GND+0.2 | V |
| Select Input | C _{SELECT} | | | | 2 | pF |
| Clock Input | C _{CLK} | | | | 2 | pF |
| Clock Duty Cycle | | | 40 | 50 | 60 | % |
| Clock Rise/Fall Time (Input and Output) | t _{EDGE} | Measured from 0.1 to 0.9 V _{DD} | - | - | 10 | ns |
| TIE Clock Jitter | σ | Time Interval Jitter on CLK line | | | 2 | ns RMS |
| Output Load | C _{LOAD} | | - | - | 120 | pF |
| Data Format | L | 18-bit precision, the LSBs are filled with zeros | | 24 | | bits |

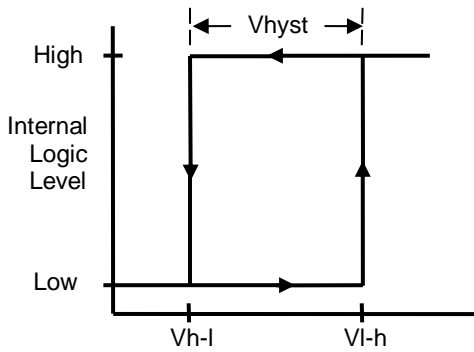


Figure 1: Hysteresis Diagram

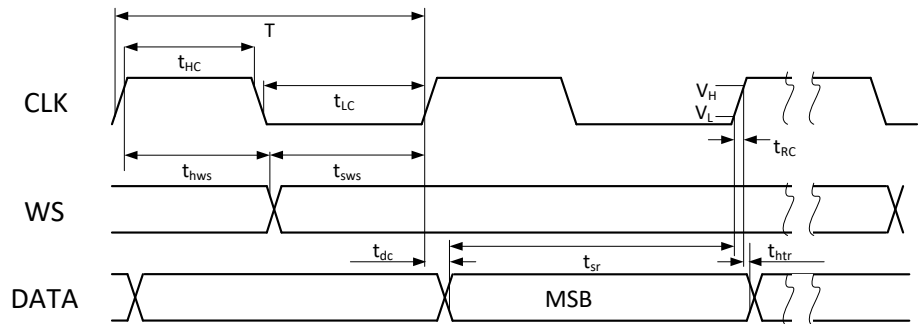


Figure 2: Timing Diagram

| Parameter | Symbol | Min | Max | Unit | Notes |
|--|------------------|--------|--------|------|---|
| CLK Period | T | 244.14 | 976.56 | ns | |
| CLK Pulse Width High | t _{HC} | 85.45 | | ns | 35% of min.T(=244.14ns) |
| CLK Pulse Width Low | t _{LC} | 85.45 | | ns | 35% of min.T(=244.14ns) |
| WS setup time | t _{SWS} | 85.45 | | ns | WS typically synchronized with CLK falling, should be equal to t _{BIL} |
| WS hold time | t _{HWS} | 85.45 | | ns | WS typically synchronized with CLK falling, should be equal to t _{BIH} |
| Data Delay from CLK Rising Edge | t _{DC} | | 65.92 | ns | |
| Receiver Setup time | t _{sr} | 178.22 | | ns | |
| Transmitter Hold Time | t _{htr} | 7 | | ns | |
| Clock Rise Time Measured from V _L to V _H | t _{RC} | | 3.75 | ns | Performance is guaranteed only with SCK edge time <=3.75ns. For slower edge time, operation is guaranteed but performance will degrade. |

Performance Curves

TEST CONDITIONS: 25 ±2°C, 55±20% R.H., VDD =1.8V, fCLOCK = 3.072 MHz with 0.1uF decoupling capacitor across Vdd and GND, unless otherwise indicated

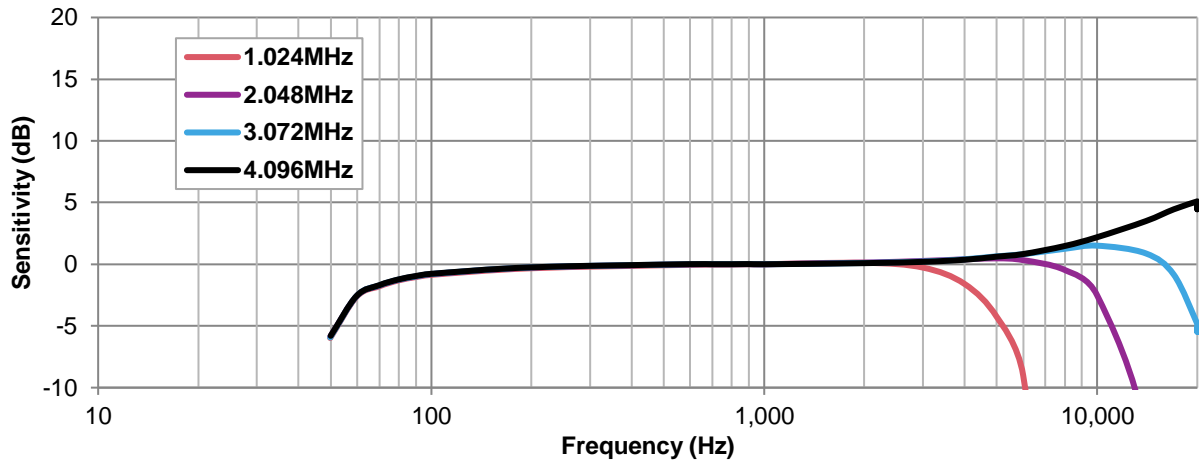


Figure 3: Typical Free Field Response Normalized to 1 kHz

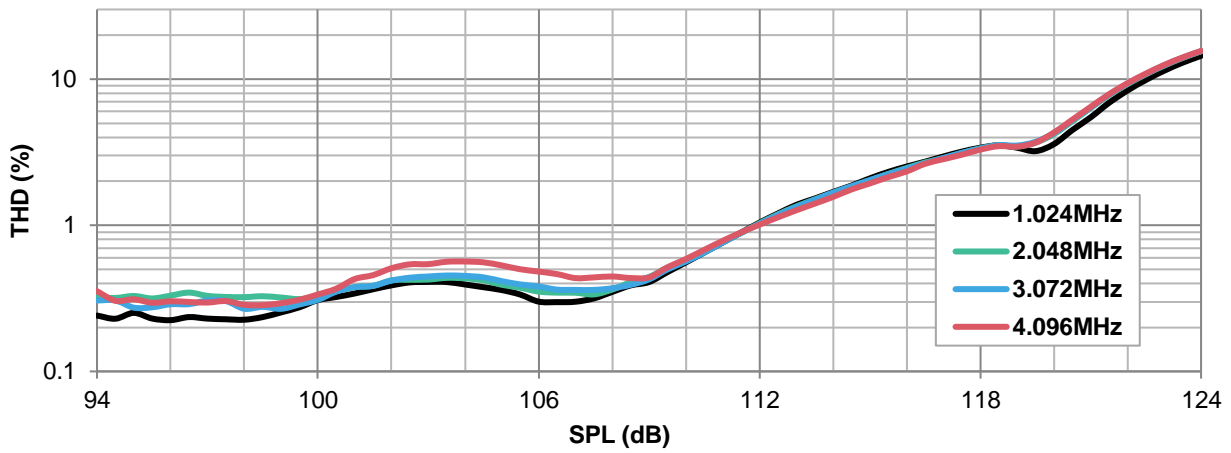


Figure 4: Typical THD vs Input SPL

Application Notes

Hardware Description

A block diagram of the I2S microphone is shown in Figure 5. The microphone consists of the following blocks, the MEMS transducer, the Charge Pump (red), the Amplifier (yellow), the Sigma Delta Convertor (green), the Decimator (orange), the Low Pass Filter (turquoise), and the Tri-state Control (gray).

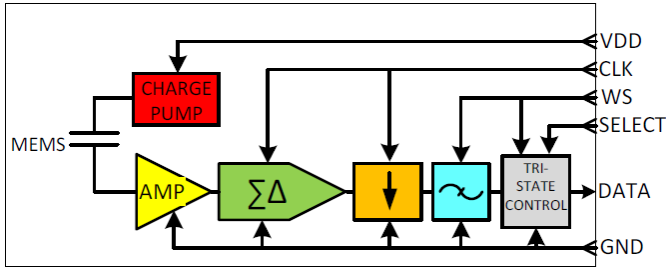


Figure 5: Block Diagram of the I2S Digital Mic

Operating Description

The I2S microphone operates as follows:

The Charge Pump (red) boosts VDD to a suitable level to bias the MEMS transducer.

The MEMS converts an input Sound Pressure Level (SPL) to a voltage.

The Amplifier (yellow) buffers the output voltage of the MEMS and provides sufficient drive to provide the Sigma Delta Convertor a stable signal.

The Sigma Delta Convertor (green) converts the buffered analog signal into a serial Pulse Density Modulated (PDM) signal.

The Decimator (orange) down-converts the PDM signal by a factor of 64, it also converts the single bit PDM signal to Multi-bit Pulse Code Modulated (PCM) signal.

The Low Pass Filter (turquoise), removes any remaining high frequency components in the PCM signal and improves the bandwidth of the Decimator output.

The Tri-state Control (gray) uses the state of the WS and SELECT inputs to determine if the DATA pin is driven or tri-stated. This allows 2 microphones to operate on a single I2S port. When SELECT = HIGH the DATA pin drives the SDIN bus when WS = HIGH otherwise DATA = tri-state. When

SELECT = LOW the DATA pin drives the SDIN bus when WS = LOW otherwise DATA = tri-state.

Operating Modes

The I2S has 2 modes of operation which are determined by the clock frequency: normal and sleep mode. In addition, the I2S microphone can be turned off by removing power from the VDD pin. Figure 6 shows the various operating modes.

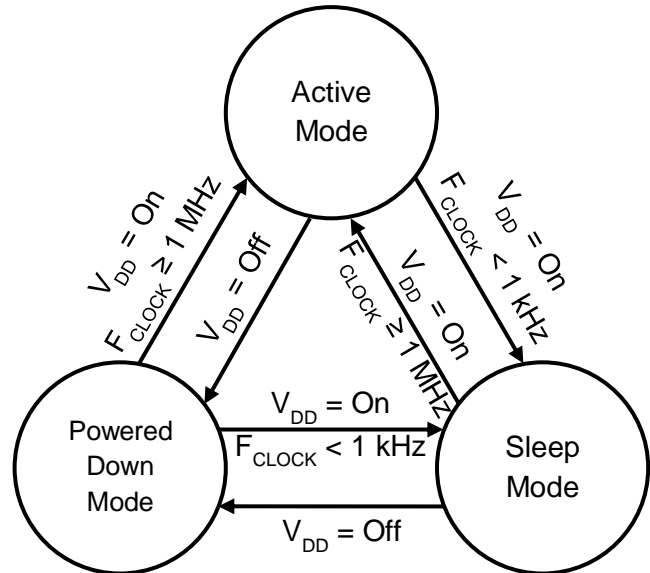


Figure 6: I2S Microphone State Diagram

Active Mode

When Vdd is applied the microphone senses the CLOCK line, if the frequency is greater than 1MHz, the microphone enters the normal mode of operation. In this mode, the I2S Master must provide the CLK and WS signals as the microphone is an I2S slave device.

Sleep Mode

When Vdd is applied the microphone senses the CLOCK line, if the frequency is less than 1KHz or completely off, the microphone enters the sleep mode of operation. In this mode, the microphone tri-states the DATA pin and turns off internal circuits to reduce power consumption.

Powered Down Mode

This mode is entered by removing Vdd from the microphone. The presence of CLK, WS and SELECT, have no effect on this mode and the DATA pin is tri-stated. The Powered Down Mic will not interfere with other devices on the I2S bus.

Interface Description

The SPH0645LM4H microphone operates as an I2S slave. The master must provide the BCLK and WS signals. The Over Sampling Rate is fixed at 64 therefore the WS signal must be BCLK/64 and synchronized to the BCLK. Clock frequencies from 1.024Mhz to 4.096MHz are supported so sampling rates from 16KHz to 64KHz can be had by changing the clock frequency.

The Data Format is I2S, 24-bit, 2's compliment, MSB first. The data precision is 18 bits; unused bits are zeros.

The SELECT pin determines when the microphone drives the Data pin. When SELECT = HIGH the Data pin is driven when the WS = HIGH, otherwise it is tri-stated (high impedance). When operating a single microphone on an I2S bus, a pull down resistor (100K Ohms) should be placed from the Data pin to ground to insure the bus capacitance is discharged.

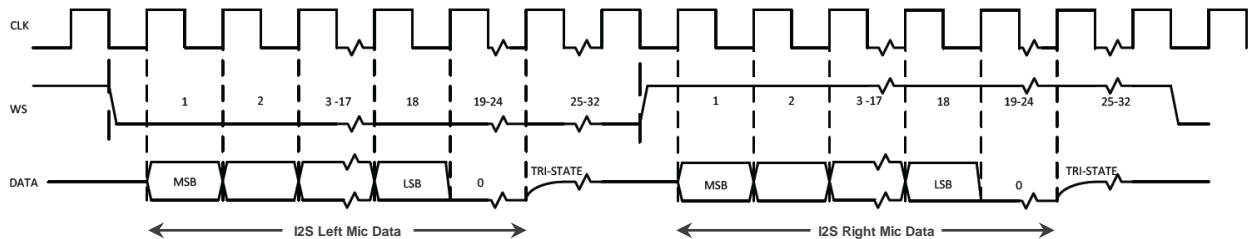


Figure 7: Timing Diagram

System Connections

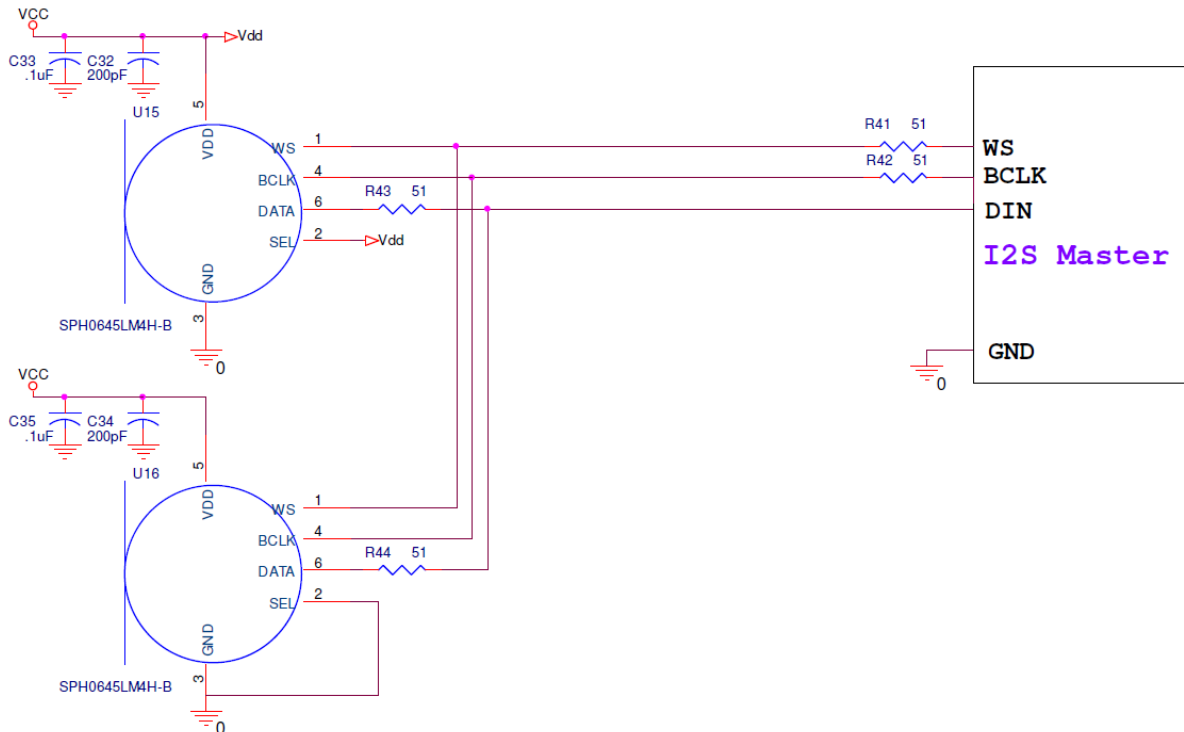


Figure 8: System (Stereo) Connections

- Notes:
1. Decoupling capacitors (C33, C35) mounted as close as possible are required for optimum SNR.
 2. RF filter Capacitors (C32,C34) in the range of 20-200pF may be needed depending on the RF environment.
 3. If both decoupling and RF filter capacitors are used, the RF filter capacitors should be the closest to the microphone.
 4. Detailed information on acoustic, mechanical, and system integration can be found in the latest *SiSonic™ Design Guide* application note.

System Connections Cont'd

Figure 8 shows how two I2S Microphones can be connected on a single I2S bus. R41–R44 are included to dampen or terminate their respective traces. If the traces are electrically long then they should be controlled impedance traces with impedance in the 50-120 Ohm range. Traces are considered electrically long when the length of the trace (in inches) is greater than 2 times the rise/fall time (in nS). Even if the traces are not electrically long, R41-R44 can be used as dampening resistors (27-51 Ohms) to improve signal integrity by reducing overshoots and ringing caused by stray inductance and capacitance. In either case, R41-R44 are to be placed as close as possible to the device that drives the trace (signal source). The decoupling capacitors (C32-33, and C34-35) are most effective if the trace inductance between the capacitor and microphone is minimized. This can be accomplished by using short, wide traces. If a ground plane is used under the microphone, then connect the capacitor ground pads directly to the plane with vias without any trace used.

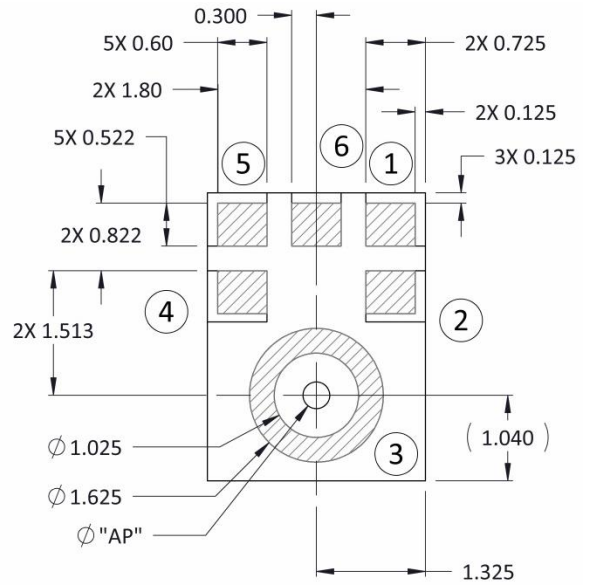
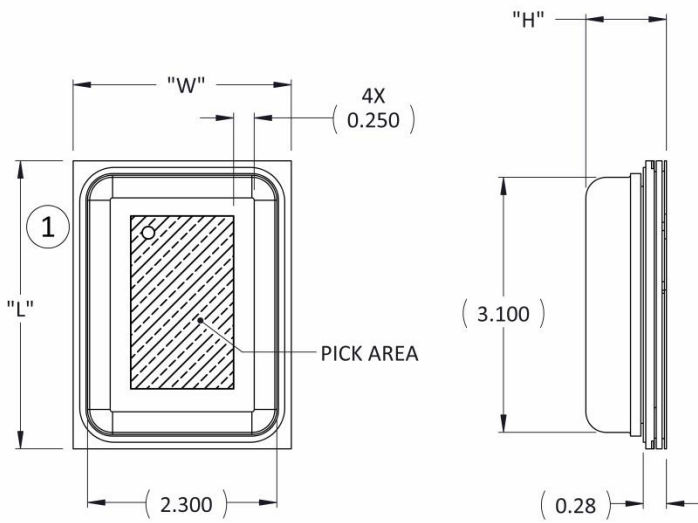
I2S Timing and Port Configuration Guidelines

- BCLK period must be in the range shown in Figure 2 and the table below it
- WS must be synchronized (changing) on the falling edge of BCLK
- WS must be BCLK/64
- The Hold Time (see Figure 2) must be greater than the Hold Time of the Receiver
- The mode must be I2S with MSB delayed 1 BCLK cycle after WS changes

Layout Guidelines

Good layout techniques are required for optimal noise, distortion, and signal integrity. Suggested layout guidelines are described in Knowles' [Multi-Mode Digital Microphone SPH0641LM4H-B](#) Application Note.

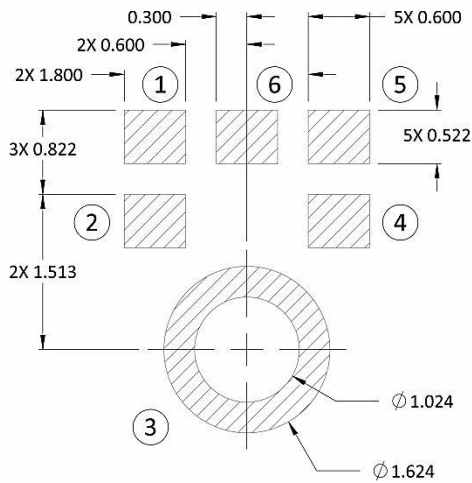
Mechanical Specifications



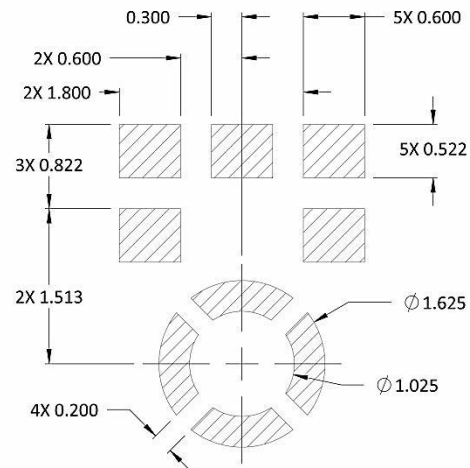
| Item | Nominal | Tolerance | Units |
|-----------------------------|---------|-----------|-------|
| Length (L) | 3.50 | ±0.10 | mm |
| Width (W) | 2.65 | ±0.10 | mm |
| Height (H) | 0.98 | ±0.10 | mm |
| Acoustic Port Diameter (AP) | 0.325 | ±0.05 | mm |

| Pin # | Pin Name | Type | Description |
|-------|-----------------|----------------|---------------------|
| 1 | WS | Digital Input | Word Strobe |
| 2 | SELECT | Digital Input | Select L/R |
| 3 | GND | Power | Ground |
| 4 | BCLK | Digital Input | Bit Clock |
| 5 | V _{DD} | Power | Power Supply |
| 6 | Data Out | Digital Output | Digital Data Output |

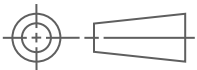
Example Land Pattern



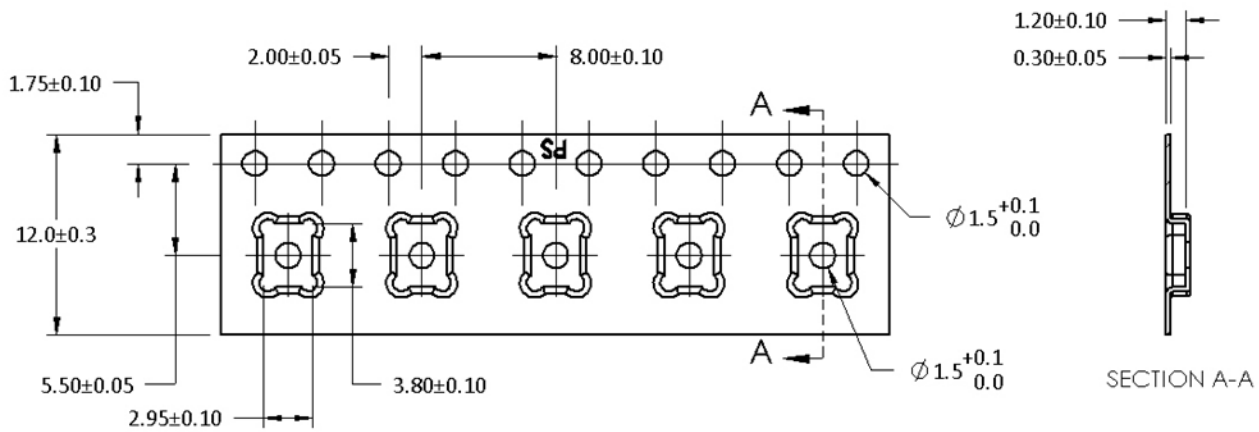
Example Solder Stencil Pattern



Notes: Pick Area only extends to 0.25 mm of any edge or hole unless otherwise specified.
 Dimensions are in millimeters unless otherwise specified.
 Tolerance is ±0.15mm unless otherwise specified
 Detailed information on AP size considerations can be found in the latest *SiSonic™ Design Guide* application note.
 Further optimizations based on application should be performed.



Packaging & Marking Detail



| Model Number | Suffix | Reel Diameter | Quantity Per Reel |
|---------------|--------|---------------|-------------------|
| SPH0645LM4H-1 | 8 | 13" | 5900 |

Alpha Character A:

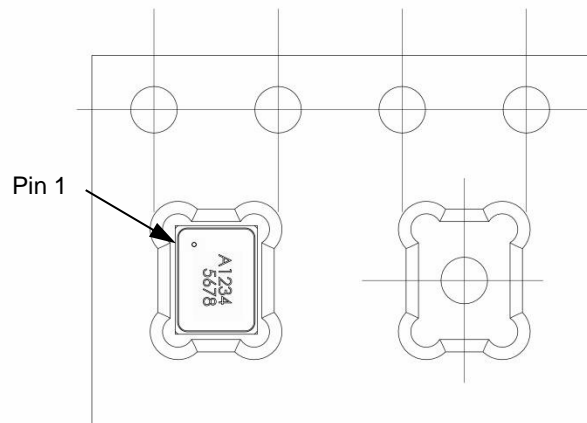
"S": Knowles SiSonic™ Production

"E": Knowles Engineering Samples

"P": Knowles Prototype Samples

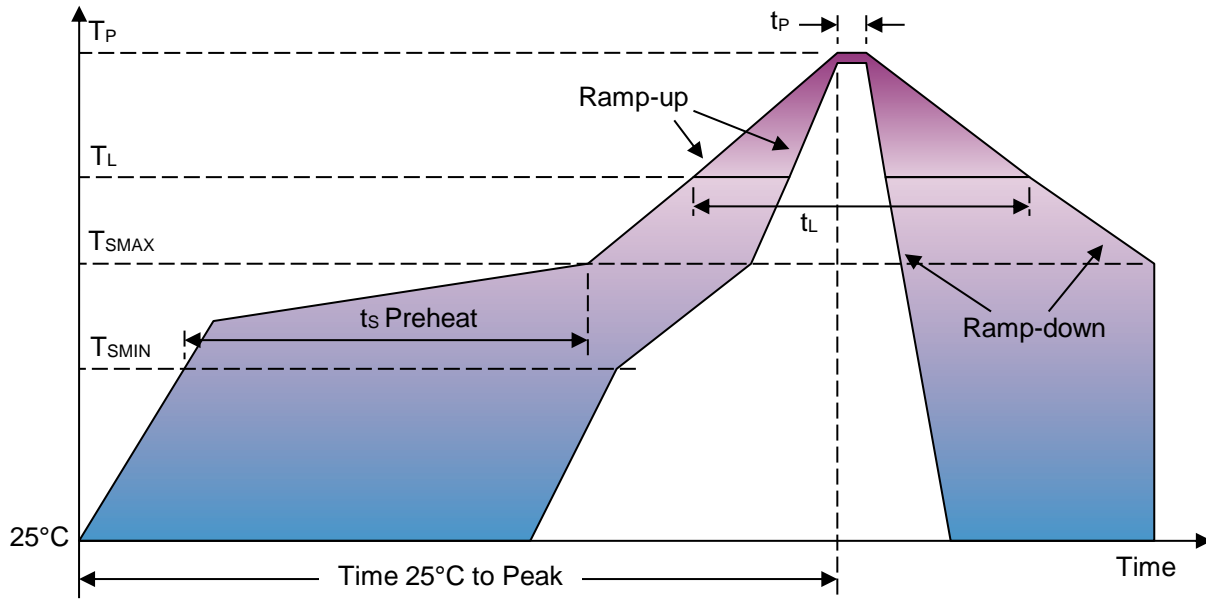
"12345678":

Unique Job Identification Number for product traceability



- Notes:
- Dimensions are in millimeters unless otherwise specified.
 - Vacuum pickup only in the pick area indicated in Mechanical Specifications.
 - Tape & reel per EIA-481.
 - Labels applied directly to reel and external package.
 - Shelf life: Twelve (12) months when devices are to be stored in factory supplied, unopened ESD moisture sensitive bag under maximum environmental conditions of 30°C, 70% R.H.

Recommended Reflow Profile



| Profile Feature | Pb-Free |
|--|----------------------------------|
| Average Ramp-up rate (T_{SMAX} to T_P) | 3°C/second max. |
| Preheat <ul style="list-style-type: none"> • Temperature Min (T_{SMIN}) • Temperature Max (T_{SMAX}) • Time (T_{SMIN} to T_{SMAX}) (t_s) | 150°C 200°C 60-180 seconds |
| Time maintained above: <ul style="list-style-type: none"> • Temperature (T_L) • Time (t_L) | 217°C 60-150 seconds |
| Peak Temperature (T_P) | 260°C |
| Time within 5°C of actual Peak Temperature (t_p) | 20-40 seconds |
| Ramp-down rate (T_P to T_{SMAX}) | 6°C/second max |
| Time 25°C to Peak Temperature | 8 minutes max |

Notes: Based on IPC/JDEC J-STD-020 Revision C.
All temperatures refer to topside of the package, measured on the package body surface

Additional Notes

- (A) MSL (moisture sensitivity level) Class 1.
- (B) Maximum of 3 reflow cycles is recommended.
- (C) In order to minimize device damage:
 - Do not board wash or clean after the reflow process.
 - Do not brush board with or without solvents after the reflow process.
 - Do not directly expose to ultrasonic processing, welding, or cleaning.
 - Do not insert any object in port hole of device at any time.
 - Do not apply over 30 psi of air pressure into the port hole.
 - Do not pull a vacuum over port hole of the microphone.
 - Do not apply a vacuum when repacking into sealed bags at a rate faster than 0.5 atm/sec.

Materials Statement

Meets the requirements of the European RoHS directive 2011/65/EC as amended.

Meets the requirements of the industry standard IEC 61249-2-21:2003 for halogenated substances and Knowles Green Materials Standards Policy section on Halogen-Free.

Ozone depleting substances are not used in the product or the processes used to make the product, including compounds listed in Annex A, B, and C of the "Montreal Protocol on Substances That Deplete the Ozone Layer."

Reliability Specifications

| Test | Description |
|---------------------------|--|
| Reflow | 5 reflow cycles with peak temperature of +260°C |
| High Temperature Storage | +105°C environment for 1,000 hours (IEC 68-2-2 Test Ba) |
| Low Temperature Storage | -40°C environment for 1,000 hours (IEC 68-2-1 Test Aa) |
| High Temperature Bias | +105°C environment while under bias for 1,000 hours (IEC 68-2-2 Test Ba) |
| Low Temperature Bias | -40°C environment while under bias for 1,000 hours (IEC 68-2-1 Test Aa) |
| Temperature/Humidity Bias | +85°C/85% R.H. environment while under bias for 1,000 hours (JESD22-A101A-B) |
| Thermal Shock | 100 cycles of air-air thermal shock from -40°C to +125°C with 15 minute soaks (IEC 68-2-4) |
| Tumble Test | 300 Random Drops of Test Box on to Steel Base from 1.0m, 10 Tumbles/Minute |
| Vibration | 16 minutes in each X, Y, Z axis from 20 to 2,000 Hz with peak acceleration of 20 G (MIL 883E, Method 2007.2,A) |
| Mechanical Shock | 3 pulses of 10,000 G in each of the X, Y, and Z directions (IEC 68-2-27 Test Ea) |
| ESD-HBM | 3 discharges of ±2kV direct contact to I/O pins (MIL 883E, Method 3015.7) |
| ESD-LID/GND | 3 discharges of ±8kV direct contact to lid while unit is grounded (IEC 61000-4-2) |
| ESD-MM | 3 discharges of ±200V direct contact to IO pins (ESD STM5.2) |

Notes: Microphones must meet all acoustic and electrical specifications before and after reliability testing.
After 3 reflow cycles, the sensitivity of the microphones shall not deviate more than 1 dB from its initial value.

Specification Revisions

| Revision | Specification Changes | Date |
|----------|-----------------------|-----------|
| A | Initial Release | 8/27/2019 |
| | | |
| | | |
| | | |
| | | |
| | | |
| | | |
| | | |
| | | |
| | | |

Information contained herein is subject to change without notice. It may be used by a party at their own discretion and risk. We do not guarantee any results or assume any liability in connection with its use. This publication is not to be taken as a license to operate under any existing patents.

Model/Reference Number:
Datasheet SPH0645LR4H-1 Rev A
© Copyright 2017 Knowles

Phone: (630) 250-5100
Fax: (630) 250-0575
sales@knowles.com

Knowles
1151 Maplewood Drive
Itasca, Illinois 60143