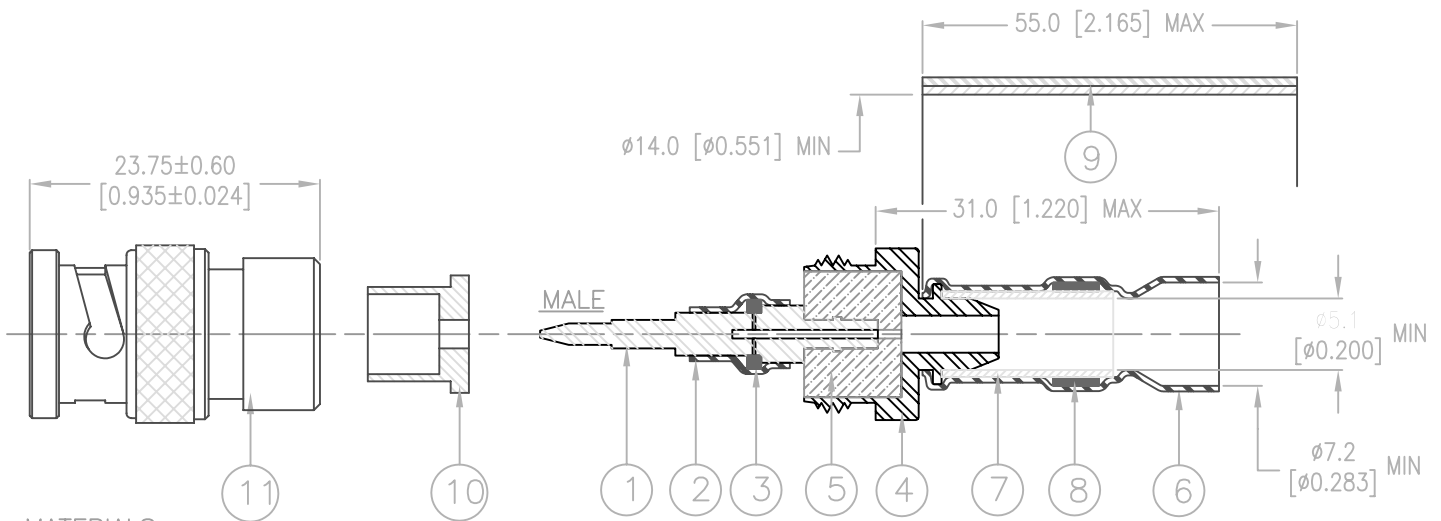


SPECIFICATION CONTROL DRAWING



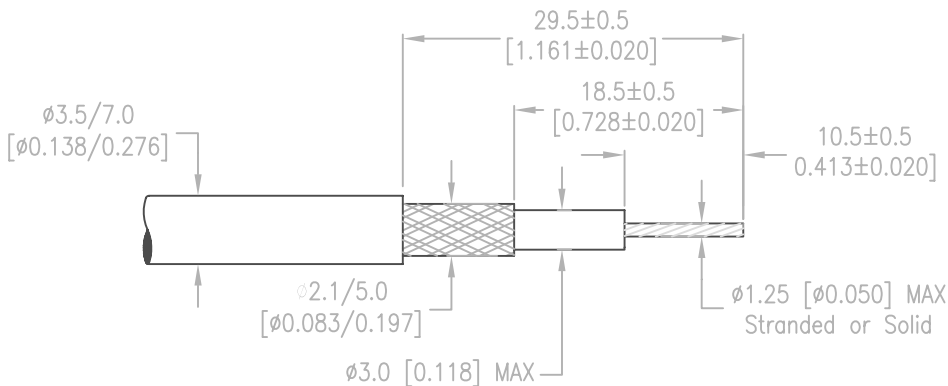
MATERIALS:

1. Center Contact: Gold plated brass (male).
2. & 6. Heat Shrinkable Insulation Sleeve: Radiation cross-linked modified polyvinylidene fluoride. Transparent blue.
3. & 8. Solder Preform: Sn63Pb37 solder per ANSI/J-STD-006. ROL1 flux per ANSI/J-STD-004.
4. Threaded Transition Part: Silver plated brass.
5. Dielectric Insulator: PolyTetraFluoroEthylene
7. Shield: Solder impregnated, flux coated copper braid. Solder: Sn63Pb37 per ANSI/J-STD-006. Flux: ROM1 per ANSI/J-STD-004.
9. Heat Shrinkable Insulation Sleeve: Radiation cross-linked modified polyolefin with adhesive. Color: black, Marked: PBD-50-82-S
10. Dielectric Insulator: PolyTetraFluoroEthylene
11. Connector Body: Nickel plated brass.

APPLICATION:

1. This controlled soldering device is designed for terminating the center conductor & the braid of 50Ω single or double braided coaxial cables with the following:
 - Tin or silver plated conductor and braid.
 - An insulation rating of at least 85°C.
2. The assembly is intermatable with MIL-PRF-39012C BNC type connectors.
3. Temperature range:
 - *With black sleeve (9) : -55°C to +100°C.
 - *Without black sleeve (9) : -55°C to +150°C.
4. For installation procedure and application equipment consult RPIP-683-00-SAAB.
5. This device will meet Raychem specification RB-115 when assembled properly.

For best results, prepare the cable as shown:



If this document is printed it becomes uncontrolled.
Check for the latest revision.



Raychem Products
305 Constitution Drive, Menlo Park, CA. 94025 USA

TITLE:
**PLUGPAK CONNECTOR
50Ω BNC**

UNLESS OTHERWISE SPECIFIED DIMENSIONS ARE IN MILLIMETERS.
INCHES DIMENSIONS ARE SHOWN IN BRACKETS.

TOLERANCES:
0.00 ———
0.0 ———
0 ———

ANGLES: ———

ROUGHNESS
IN MICRON

TYCO ELECTRONICS RESERVES THE RIGHT TO AMEND THIS DRAWING AT ANY TIME. USERS SHOULD EVALUATE THE SUITABILITY OF THE PRODUCT FOR THEIR APPLICATION.

DOCUMENT NO:
PBD-50-82-S

CAD FILE: D020425	REPLACES: D981330	DRAWN: MFORONDA	SIZE: A	SCALE: NONE	PROD. REV.: A	DOC. REV.: 4	DATE: 10/25/02	SHEET: 1 OF 1
----------------------	----------------------	--------------------	------------	----------------	------------------	-----------------	-------------------	------------------

Mouser Electronics

Authorized Distributor

Click to View Pricing, Inventory, Delivery & Lifecycle Information:

[TE Connectivity:](#)

[PBD-50-82-S](#)