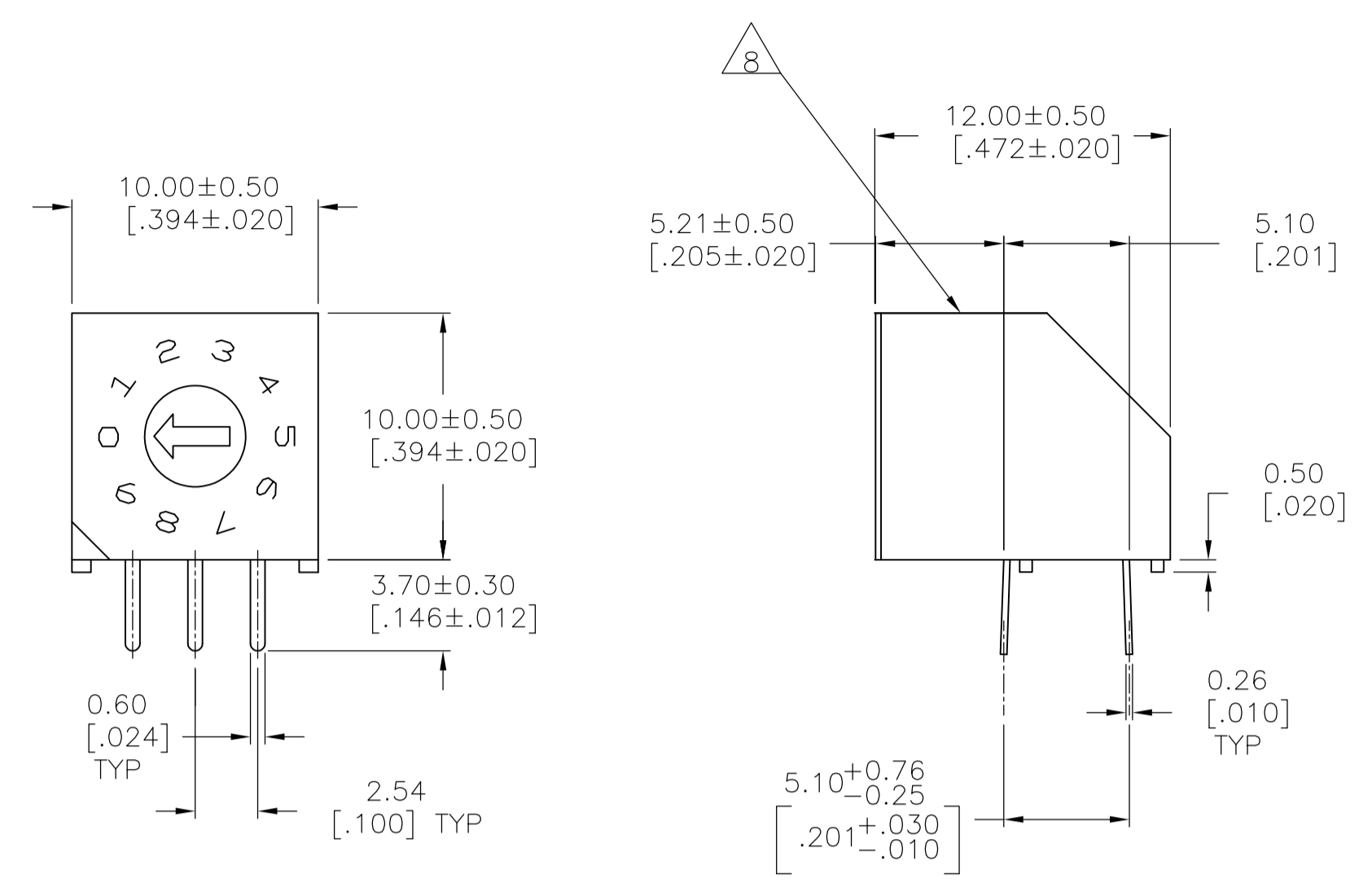
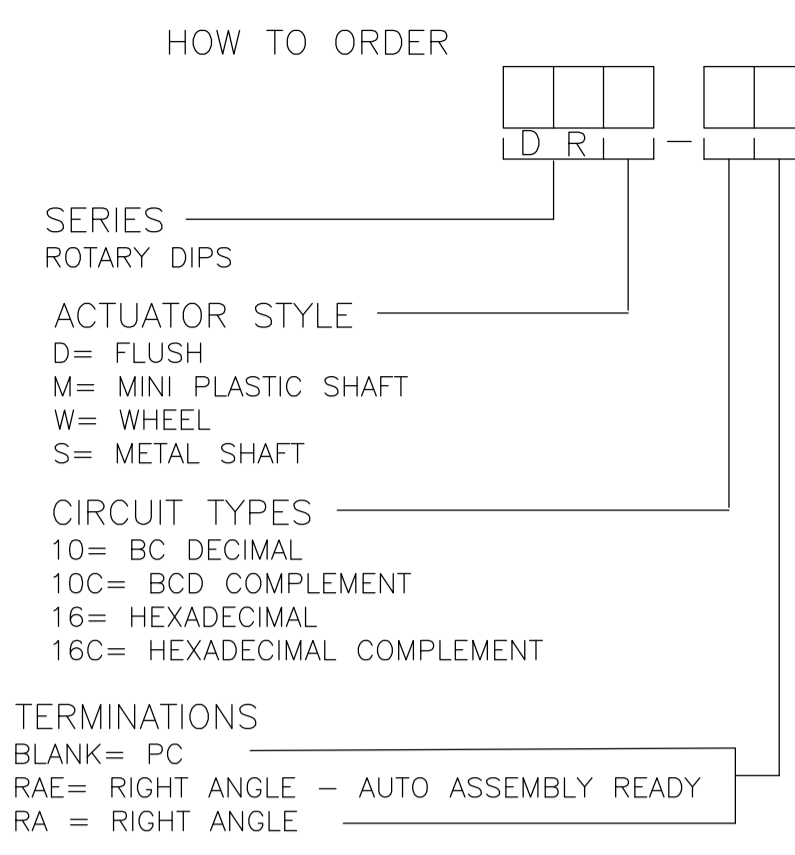


REVISIONS					
P	LTR	DESCRIPTION	DATE	DMN	APVD
A5	REVISED PER ECO-17-001765		05MAY2017	SK	AS



DRD RIGHT ANGLE
PC MOUNT



SPECIFICATIONS:

MATERIAL:
 FRAME & CASE- PPS UL94V-0, BLACK
 ROTOR, PA6T UL94V-0, COLOR SEE P/N TABLE
 FIXED CONTACT/TERMINAL- COPPER ALLOY, GOLD FLASH OVER NICKEL PLATE
 MOVING CONTACT- COPPER ALLOY, GOLD FLASH OVER NICKEL PLATE
 BALL SUPPORT PLATE- COPPER ALLOY
 BALL- STAINLESS STEEL
 DETENT SPRING- STAINLESS STEEL
 BUSHING (DRS)- ZINC DIE CAST
 SHAFT (DRS)- COPPER ALLOY- NICKEL PLATE

ELECTRICAL:
 CONTACT RATING- 0.4VA@ 20V DC OR PEAK AC
 INITIAL CONTACT RESISTANCE- 50 MILLIOHMS MAX
 INSULATION RESISTANCE- 1,000 MEGOHMS@100V DC
 DIELECTRIC STRENGTH- 300V AC
 LIFE EXPECTANCY- 10,000 ROTATIONS

MECHANICAL:
 OPERATING FORCE- 13.88 OZF.IN. MAX

ENVIRONMENTAL:
 OPERATING TEMPERATURE- -30°C TO +85°C
 STORAGE TEMPERATURE- -45°C TO +100°C
 RESISTANCE TO SOLDER HEAT-PER 109-202, COND B (THRU-HOLE)
 SOLDERABILITY-PER JIS C 0050 & JIS C 0053

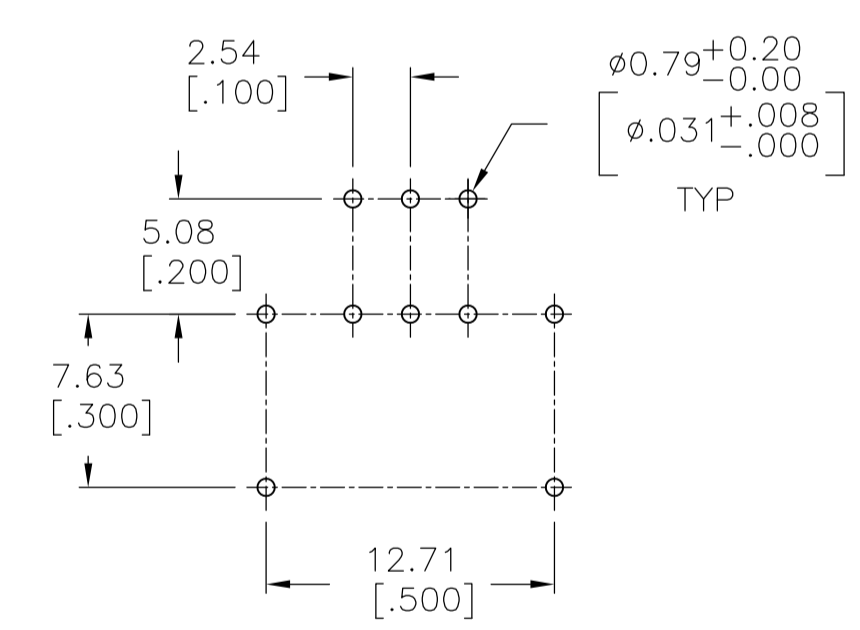
NOTES:

- ALL MATERIALS AND FINISHES SHALL COMPLY WITH EU DIRECTIVE 2002/95/EC OF 27JAN2003 (ROHS)
- COMMON TERMINALS ARE CONNECTED INTERNALLY, EXCEPT ON HYBRID VERSIONS.
- RED ROTOR WITH WHITE PRINTING ON TOP AND SIDE OF SWITCH. "S" STYLES HAVE NOT PRINTING ON TOP.
- BLACK ROTOR WITH WHITE PRINTING ON TOP AND SIDE OF SWITCH. "S" STYLES HAVE NO PRINTING ON TOP.
- ORANGE ROTOR WITH WHITE PRINTING ON TOP AND SIDE OF SWITCH "S" STYLES HAVE NO PRINTING ON TOP.
- WHITE ROTOR WITH WHITE PRINTING ON TOP AND SIDE OF SWITCH "S" STYLE HAVE NO PRINTING ON TOP.

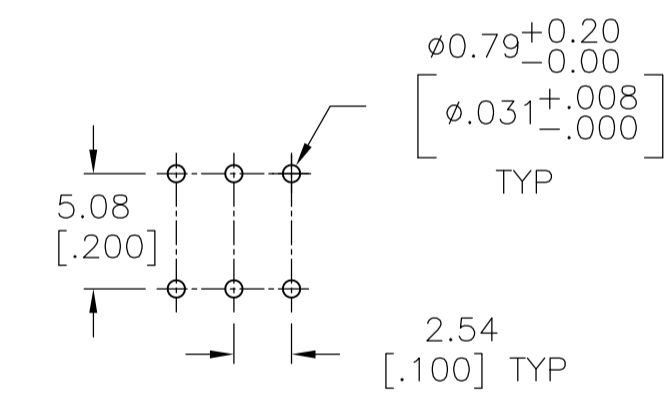
LOCATE 'ALCO' TRADE NAME AND LOT NUMBER MARKING. LOT NUMBER TO BE MARKED AS FOLLOW:

4 1ST DIGIT
F 2ND DIGIT
YEAR 1194 MONTH 6

MARK WITH PERMANENT WHITE INK.



"S" STYLE



MINI SHAFT
FLUSH
WHEEL

PRINTED CIRCUIT BOARD LAYOUTS

	BLACK	DRW16RAE04	1-1825008-6
	WHITE	DRW16CRAE04	1-1825008-5
	RED	DRW10RAE04	1-1825008-4
OBSOLETE	ORANGE	DRW10CRAE04	1-1825008-3
	N/A	DRS16RA04	1-1825008-2
	N/A	DRS16CRA04	1-1825008-1
	N/A	DRS10RA04	1-1825008-0
OBSOLETE	N/A	DRS10CRAE04	1825008-9
	BLACK	DRM16RAE04	1825008-8
OBSOLETE	WHITE	DRM16CRAE04	1825008-7
	RED	DRM10RAE04	1825008-6
OBSOLETE	ORANGE	DRM10CRAE04	1825008-5
	BLACK	DRD16RAE04	1825008-4
	WHITE	DRD16CRAE04	1825008-3
	RED	DRD10RAE04	1825008-2
OBSOLETE	ORANGE	DRD10CRAE04	1825008-1
	ROTOR COLOR	T&B P/N	PART NO.

THIS DRAWING IS A CONTROLLED DOCUMENT. DIN 17MAY2005

DR: S.VISWESWARA
CHK: M.S.SARVER
APVD: -

DIMENSIONS: mm [INCHES]

TOLERANCES UNLESS OTHERWISE SPECIFIED:

0. PLC	±	-
1. PLC	±	-
2. PLC	±	0.25
3. PLC	±	-
4. PLC	±	-
ANGLES	±	1'

MATERIAL: - FINISH: - WEIGHT: 0

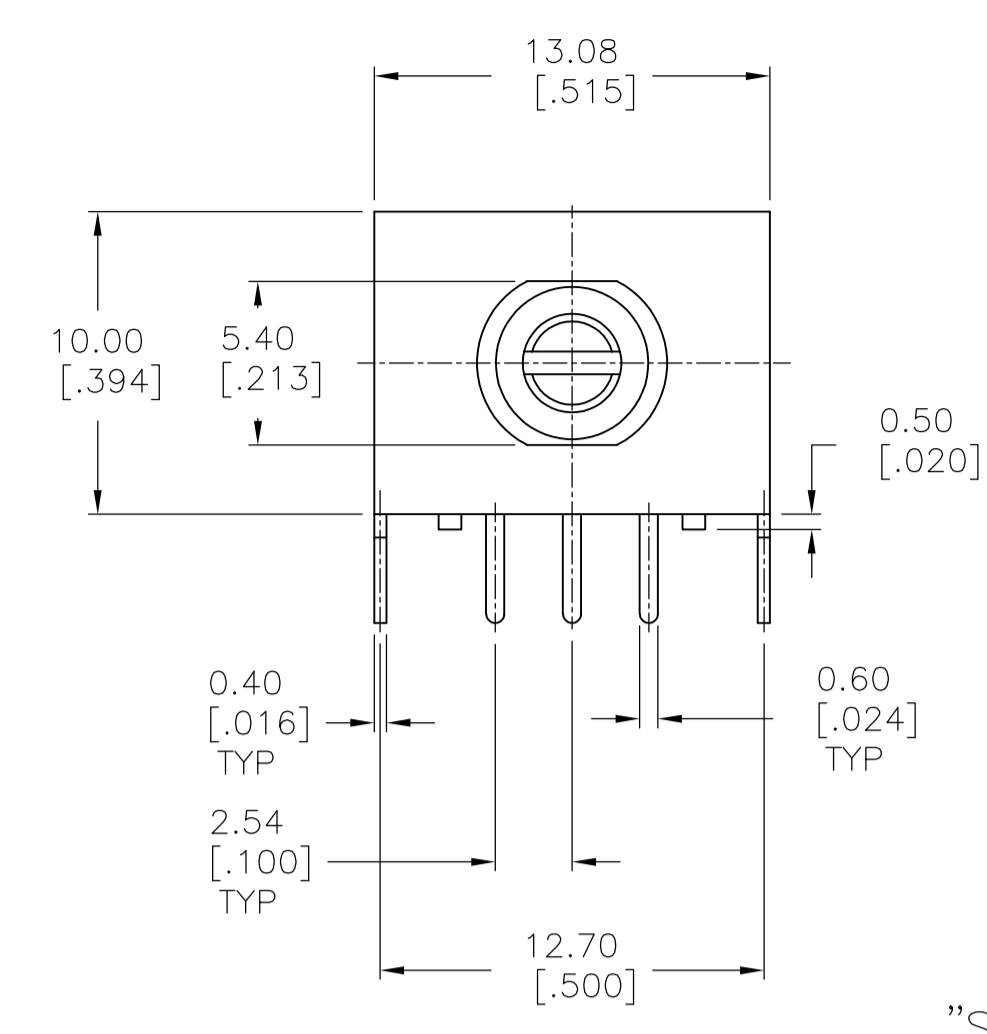
SIZE: A1 CAGE CODE: 00779 DRAWING NO: 1825008 RESTRICTED TO: -

CUSTOMER DRAWING SCALE: 4:1 SHEET: 1 OF 2 REV: A5

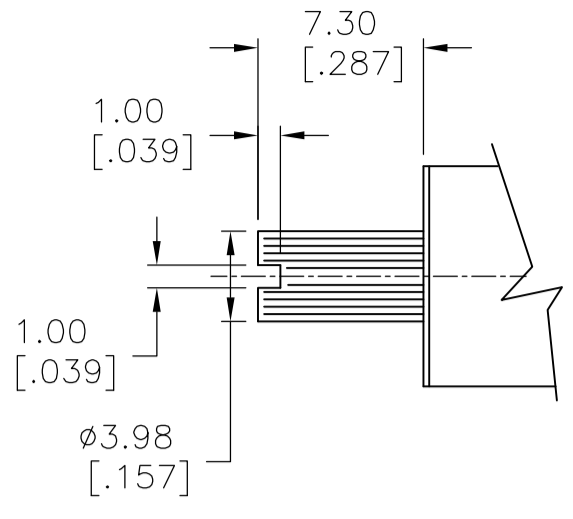
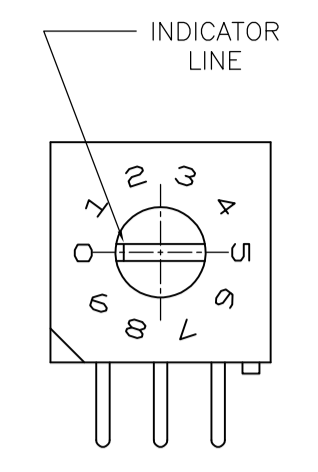
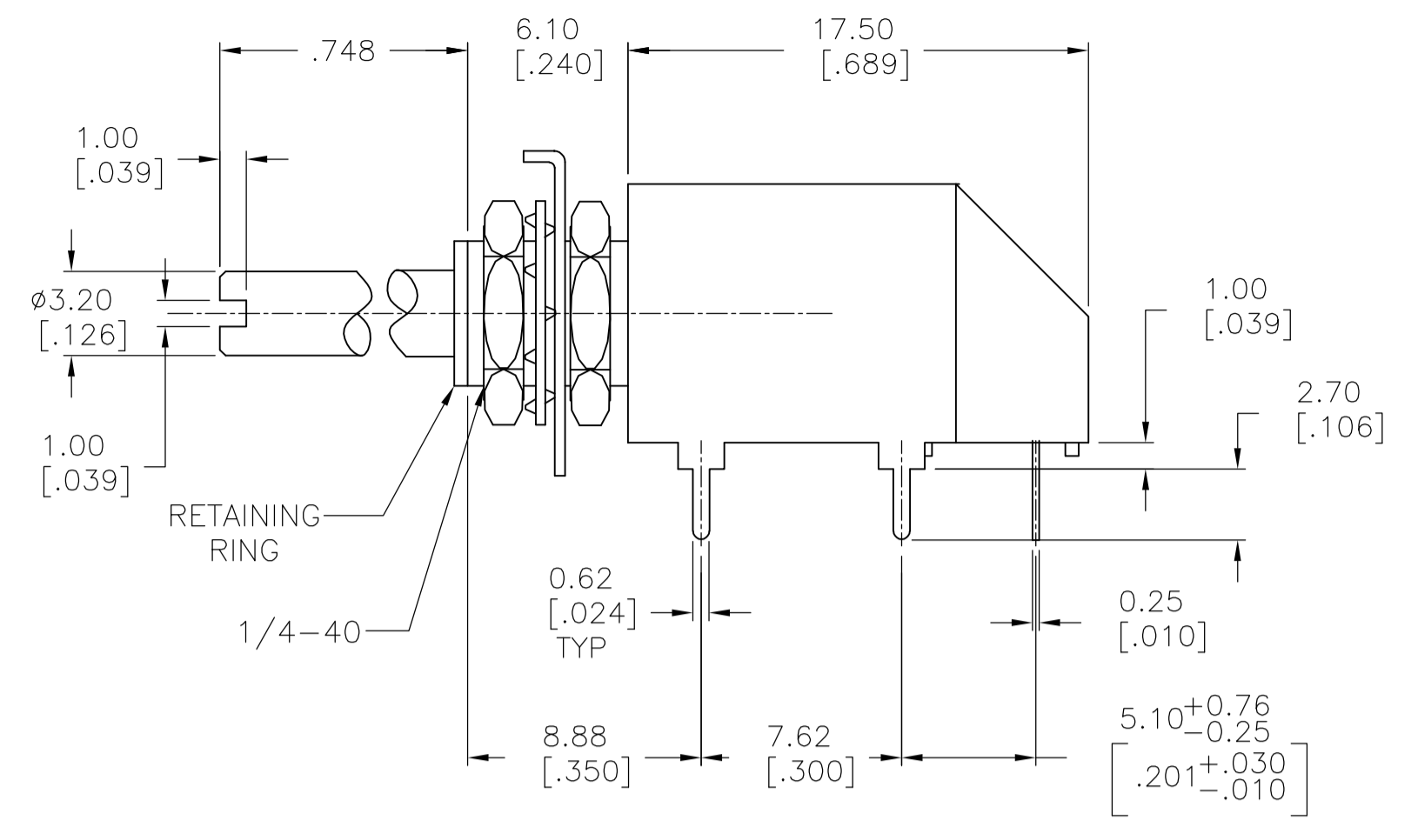
STE TE Connectivity

DR**RA SERIES ROTARY DIP SWITCH

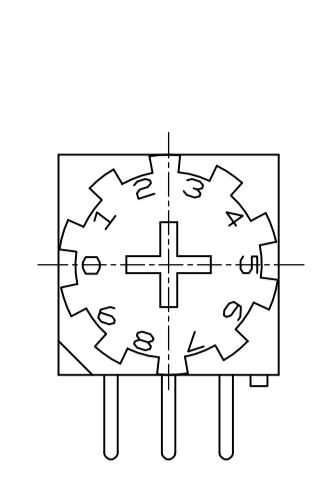
REVISIONS				
P	LYR	DESCRIPTION	DATE	APPV
-	-	SEE SHEET 1	-	-



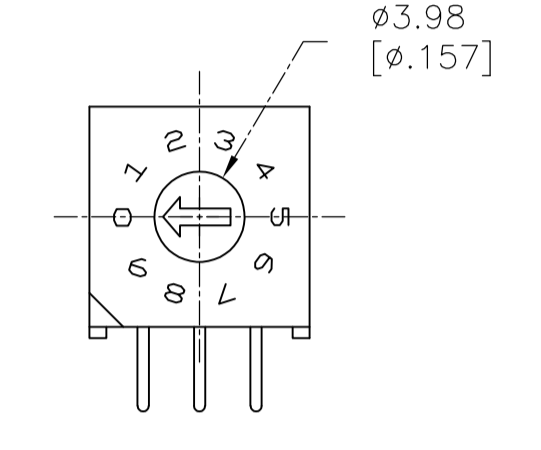
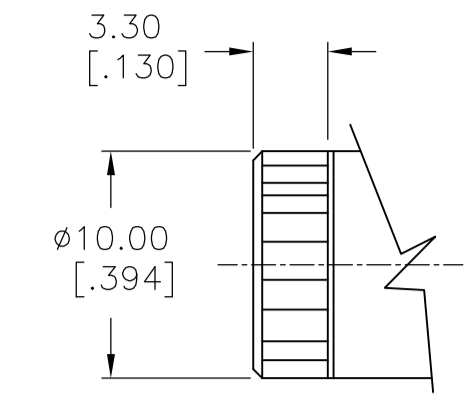
"S" STYLE



MINI SHAFT
'M' STYLE

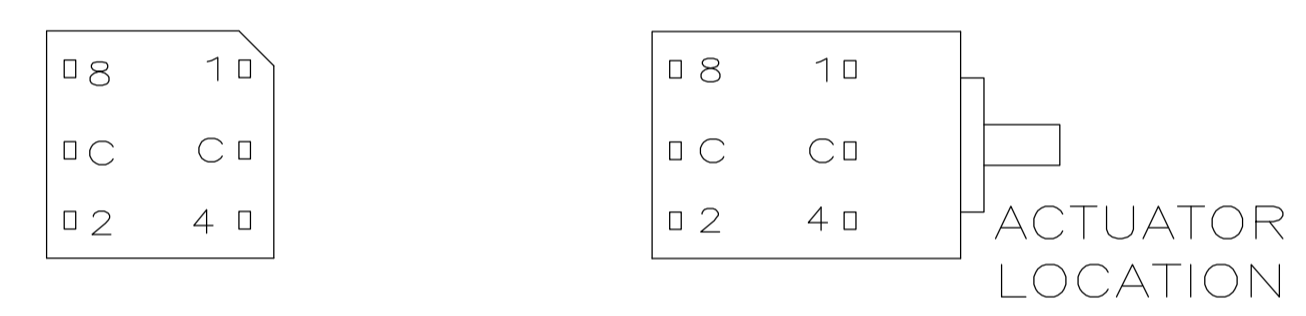


WHEEL
'W' STYLE



'D' STYLE

TERMINAL IDENTIFICATION FOR DR SERIES ONLY
(VIEWED FROM BOTTOM OF SWITCH)



ACTUATORS
SCALE:3:1

10-POSITION, BCD SEE NOTE 3

POS	0	1	2	3	4	5	6	7	8	9
C	X	X	X	X	X	X	X	X	X	X
1		X		X		X		X		X
2			X	X			X	X		
4					X	X	X	X		
8									X	X

16-POSITION, HEXADECIMAL SEE NOTE 4

POS	0	1	2	3	4	5	6	7	8	9	A	B	C	D	E	F
C	X	X	X	X	X	X	X	X	X	X	X	X	X	X	X	X
1		X		X		X		X		X		X		X		X
2			X	X			X	X			X	X			X	X
4					X	X	X	X					X	X	X	X
8									X	X	X	X	X	X	X	X

10 POSITION, BCD COMPLEMENT SEE NOTE 5

POS	0	1	2	3	4	5	6	7	8	9
C̄	X	X	X	X	X	X	X	X	X	X
1̄	X		X		X		X		X	
2̄	X	X			X	X			X	X
4̄	X	X	X	X					X	X
8̄	X	X	X	X	X	X	X	X		

16-POSITION, HEXADECIMAL COMPLEMENT SEE NOTE 6

POS	0	1	2	3	4	5	6	7	8	9	A	B	C	D	E	F
C̄	X	X	X	X	X	X	X	X	X	X	X	X	X	X	X	X
1̄	X		X		X		X		X		X		X		X	
2̄	X	X			X	X			X	X			X	X		
4̄	X	X	X	X					X	X	X	X				
8̄	X	X	X	X	X	X	X	X								

THIS DRAWING IS A CONTROLLED DOCUMENT.

DIMENSIONS: mm [INCHES]	TOLERANCES UNLESS OTHERWISE SPECIFIED: 0. PLC ± - 1. PLC ± - 2. PLC ± 0.25 3. PLC ± - 4. PLC ± - ANGLES ± 1°	DIN E.S.VISWESWARA CHK M.S.SARVER APVD	17MAY2005 -	TE Connectivity				
MATERIAL	FINISH	WEIGHT	0	SIZE A1	CAGE CODE 00779	DRAWING NO C=1825008	RESTRICTED TO	
CUSTOMER DRAWING			SCALE	4:1	SHEET	2 OF 2	REV	A5

Mouser Electronics

Authorized Distributor

Click to View Pricing, Inventory, Delivery & Lifecycle Information:

[TE Connectivity:](#)

[DRD16CRAE04](#)