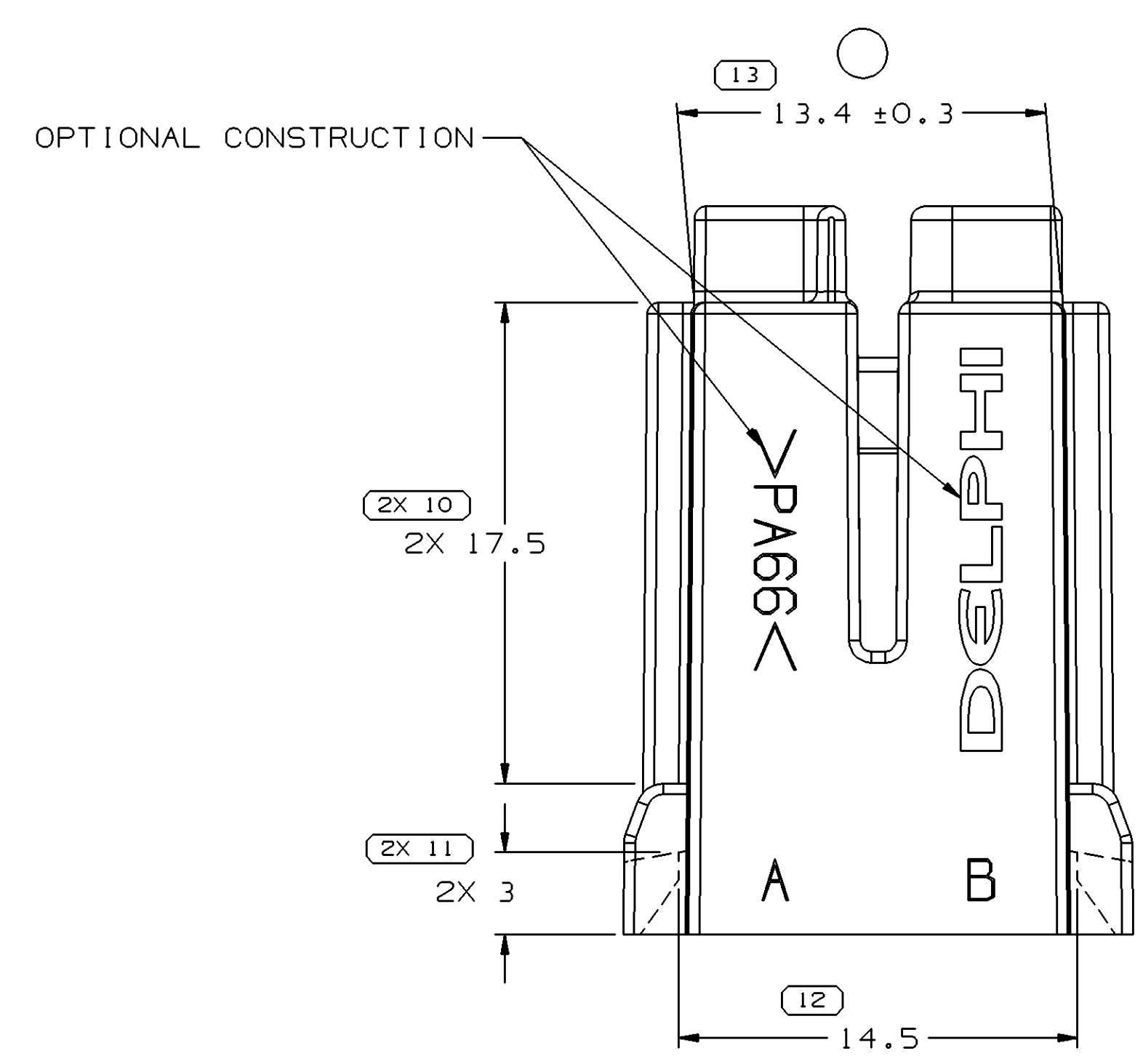
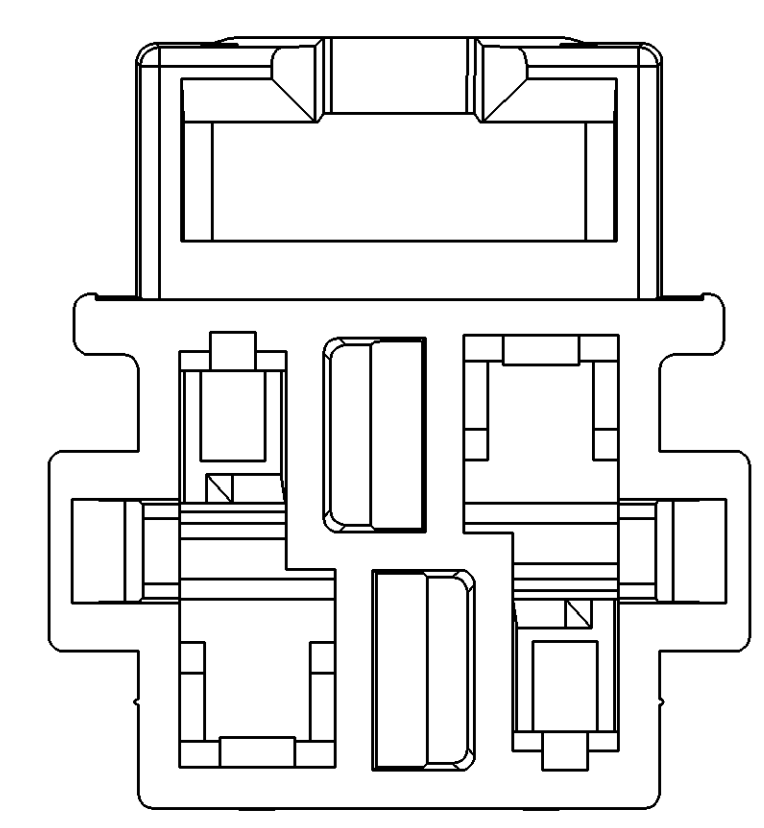
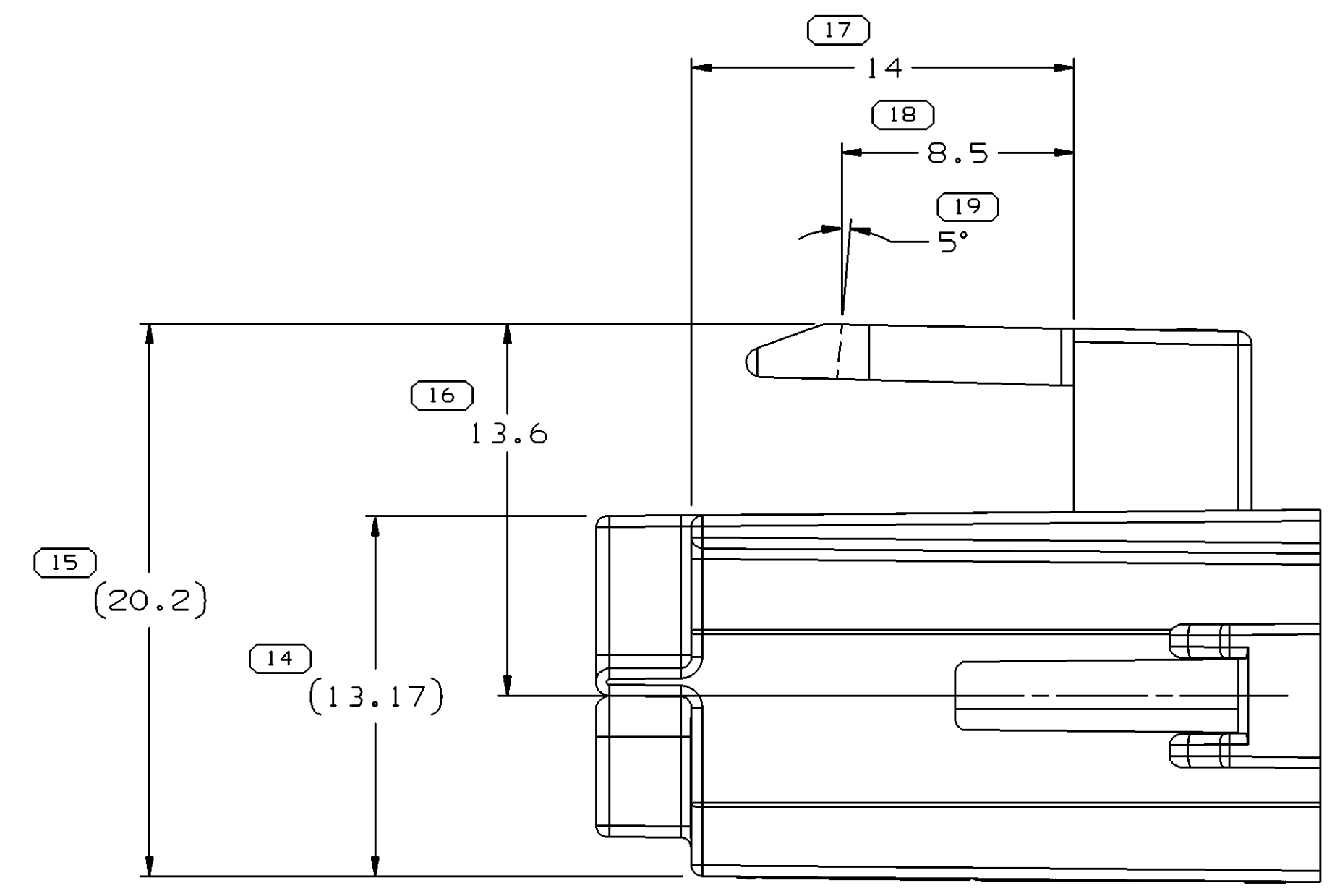
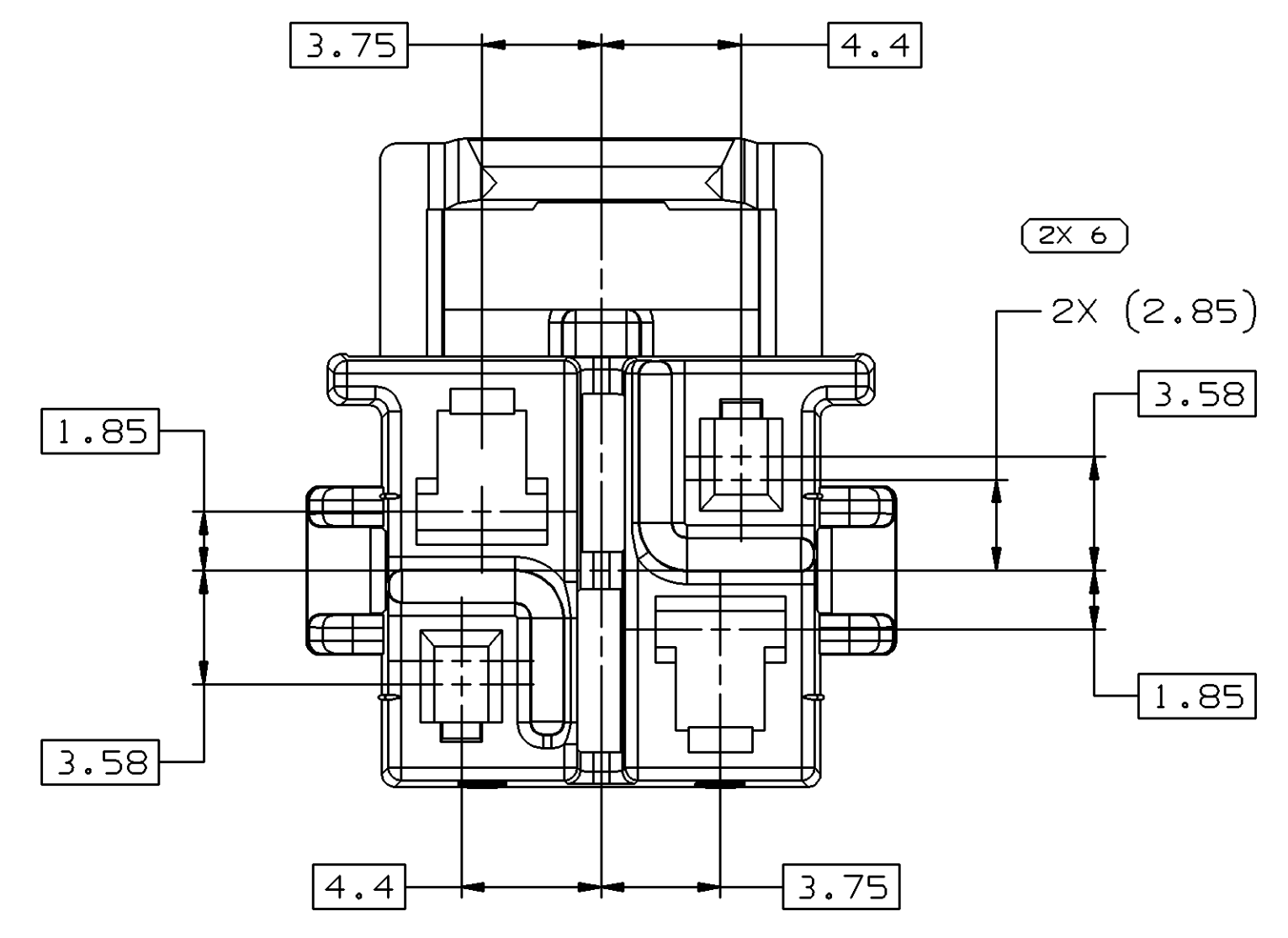
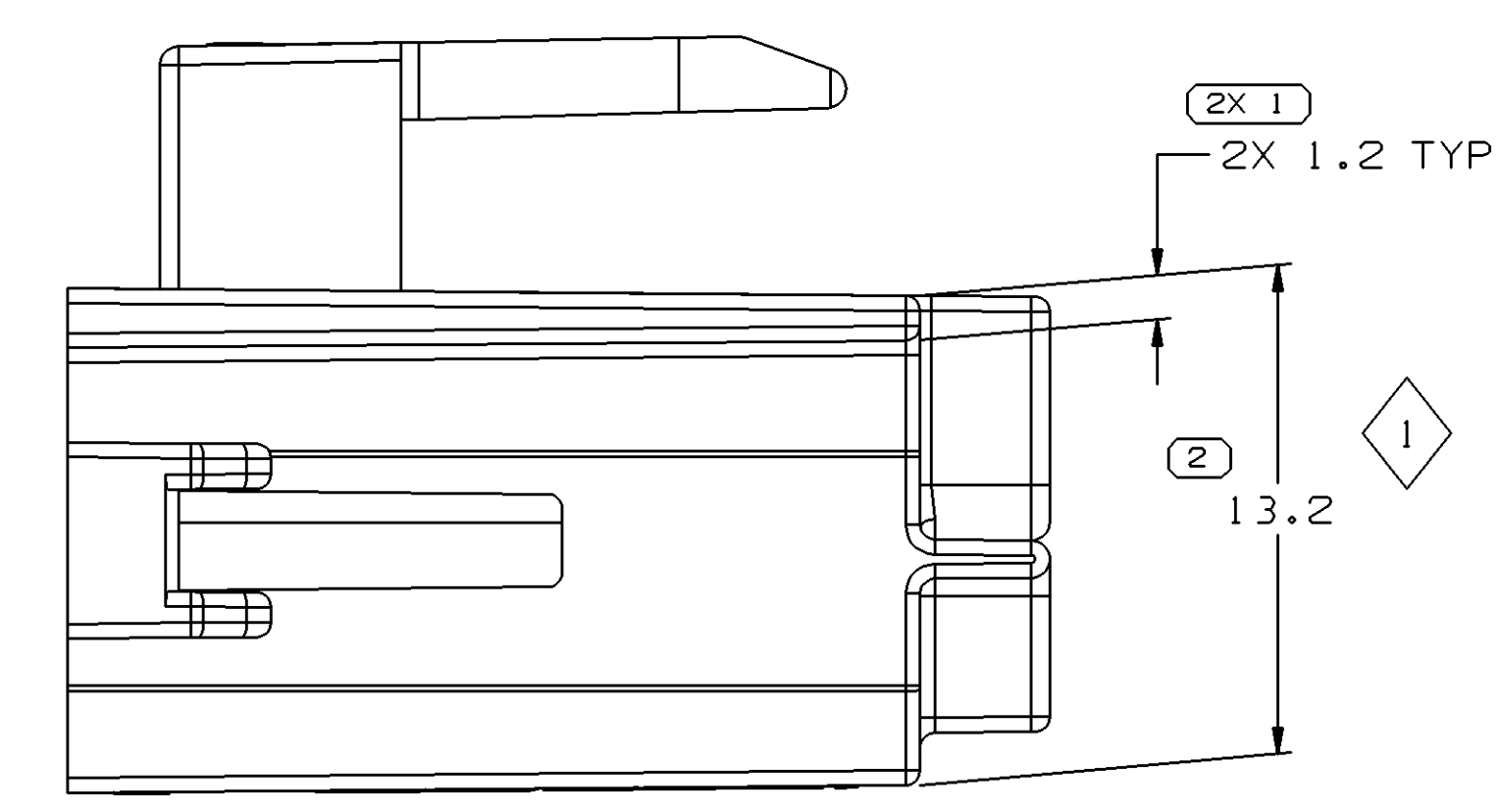
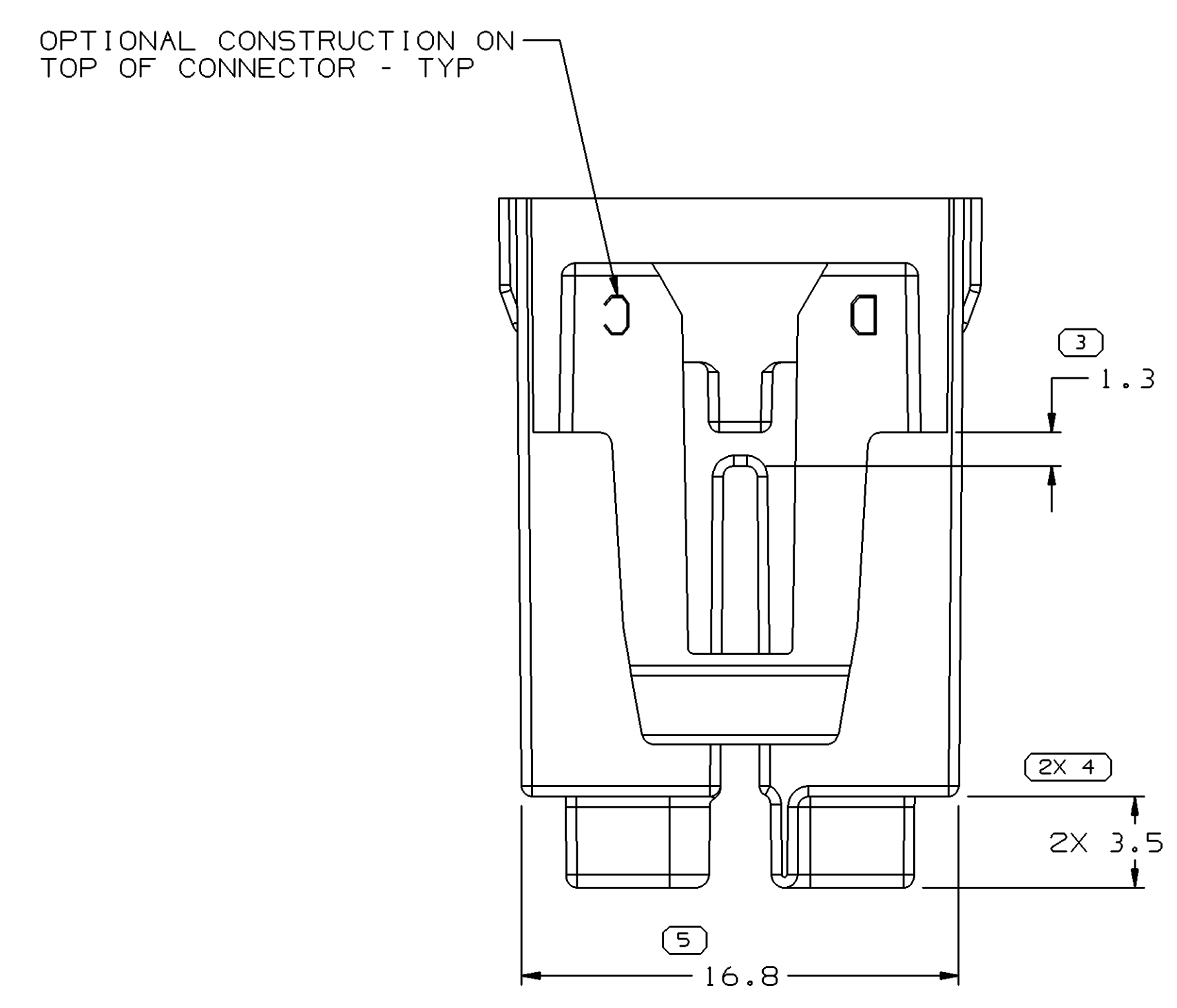


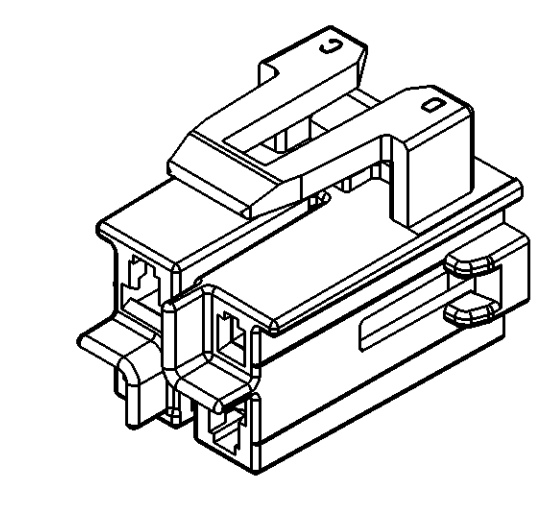
SYMBOL DEFINITION		TOTAL NO OF INSPECTIONS REQUIRED	21
A DIMENSION WITHOUT AN INSPECTION REPORT SYMBOL DOES NOT REQUIRE INSPECTION. IT MAY BE CONTROLLED ON THE INDIVIDUAL COMPONENT DRAWING.		LAST NO. USED	19

MISSING SYMBOLS					REVISION HISTORY			AUTH	DR	APVD	APVD
DATE	STG	REV	N/P	CHO	ZONE						
11JAO5	R	01	-	-		PD CREATED	263214	BRB	BRB	JCU	JCU
28FE05	R	01	AA	-		ADDED GD & T DIMENSIONS; ADDED KPC CHART; REVISED NOTES; REVISED PROCESS SENSITIVE DIMENSION - WAS DIM #5		AKJ	AKJ	JCU	JCU
17JN05	R	01	AB	-		13.4 ±0.3 WAS 13.4	269472	6PS	JAA	JAA	RMF

KEY PRODUCT CHARACTERISTICS				
SAFETY/COMPLIANCE	FIT/FUNCTION	TOTAL ON DRAWING	1	
S/C CHECKPOINTS	F/F CHECKPOINTS	LAST NO. USED	1	
NO & TYPE	DESCRIPTION	RATIONALE	PTS	ZONE
1	F/F DIMENSION	CONTROL FIT DIMENSION	-	F13



- NOTES
- UNLESS OTHERWISE SPECIFIED AND/OR INDICATED: DIMENSIONS ARE TO FACE OF VIEW SHOWN AND AUTOMATICALLY ROUNDED BY COMPUTER FOR INSPECTION (SEE MATH MODEL FOR PRECISE DIMENSIONS). FOR ALL OTHER DIMENSIONS NOT SHOWN BUT REQUIRED FOR TOOL BUILD, SEE MATH MODEL FOR PRECISE TOOL PATH DATA.
 - MATERIAL RECYCLING CODE PER ISO 11469, (1.5)X(10.05) CHARACTERS AS SHOWN TO BE LOCATED ON ANY EXTERIOR SURFACE. (OPTIONAL CONSTRUCTION)
 - THIS PART IS NOT CONTROLLED FOR AUTOMATIC FEEDING.
 - REFERENCE MATING COMPONENTS OR EQUIVALENT: CONNECTOR 13516627
 - THIS PART ACCEPTS THE FOLLOWING COMPONENTS OR EQUIVALENT: CAVITIES A & D TO ACCEPT 12064971 TERMINAL MAX INSULATION CRIMP MUST BE LESS THAN 3.42 HIGH AND 2.7 WIDE. CAVITIES B & C TO ACCEPT 12129494 TERMINAL MAX INSULATION CRIMP MUST BE LESS THAN 4.85 HIGH AND 4 WIDE. CONNECTOR POSITION ASSURANCE LOCK 12092873 TERMINAL POSITION ASSURANCE LOCK 13517800
 - (1.5)X(10.05) DELPHI CORPORATE BRAND TO BE LOCATED ON ANY EXTERIOR SURFACE, PREFERABLY VISIBLE AT FINAL ASSEMBLY. (OPTIONAL CONSTRUCTION)



VIEW SCALE DOES NOT REFLECT ACTUAL PART SIZE

DIMENSIONAL RANGE (MM)		TOLERANCE UNLESS OTHERWISE SPECIFIED		CHART ET	
FROM	TO	±	ANGULAR TOLERANCE	±	ANGULAR TOLERANCE
0	> 0	> 0.10	±0.10	±0.10	±0.10
> 0	> 20	> 0.15	±0.15	±0.15	±0.15
> 20	> 30	> 0.20	±0.20	±0.20	±0.20
> 30	> 70	> 0.30	±0.30	±0.30	±0.30
> 70	> 100	> 0.40	±0.40	±0.40	±0.40
> 100	> 150	> 0.50	±0.50	±0.50	±0.50
> 150	> 200	> 0.60	±0.60	±0.60	±0.60
> 200	> 250	> 0.70	±0.70	±0.70	±0.70
> 250	> 300	> 0.80	±0.80	±0.80	±0.80
> 300	> 400	> 1.00	±1.00	±1.00	±1.00

UNLESS OTHERWISE SPECIFIED	
THIS DOCUMENT IS IN ACCORDANCE WITH ASME Y14.5M-1994 AS AMENDED BY THE 2018 ADDENDUM TO Y14.5M-1994 TOLERANCING ADDENDUM-2018. SEPARATE PATTERNING OF FEATURES MAY BE OBTAINED SEPARATELY REGARDLESS OF DATUM REFERENCES.	
ALL DIMENSIONS ARE IN MILLIMETERS	

DELPHI
DELPHI PACKARD ELECTRIC SYSTEMS
WARREN, OH

DR	DATE
APVD1 BARRY BURNS	11JAO5
APVD2 BARRY BURNS	11JAO5
APVD3 J.C.URREA	11JAO5
APVD4	
APVD5	

MATERIAL: M3592001 PA66 HS 1M BLK
SUBSTANCES OF CONCERN AND RECYCLED CONTENT PER DELPHI 10949001

DRAWING NAME: CONN 4 F M/P 150 280
DRAWING NUMBER: 13517799

SIZE: A0
SCALE: 5:1
FRAME NO: 1 OF 1
SHEET NO: 1 OF 1
STG REV: R 01

Mouser Electronics

Authorized Distributor

Click to View Pricing, Inventory, Delivery & Lifecycle Information:

[Aptiv:](#)

[13517799](#)