

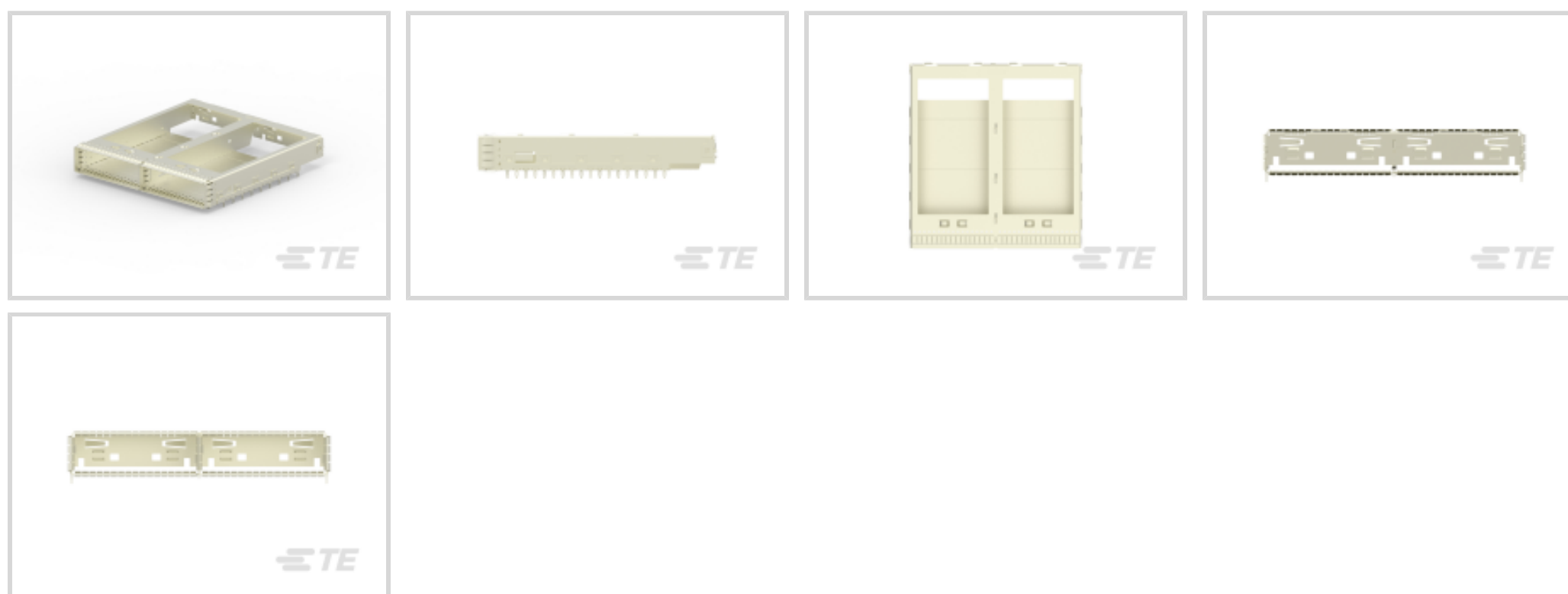


TE Internal #: 2287076-2

CFP2, Cage Assembly, Signal, Operating Temperature Range -55 – 85 °C, Data Rate (Max) 56 Gb/s, 2 Ports, Port Matrix Configuration 1 x 2

[View on TE.com >](#)

Connectors > Pluggable IO Connectors & Cages



Pluggable I/O Product Type: **Cage Assembly**

Sealable: **No**

Circuit Application: **Signal**

Operating Temperature Range: **-55 – 85 °C**

Data Rate (Max): **56 Gb/s**

Features

Product Type Features

Cage Type	Ganged
Pluggable I/O Product Type	Cage Assembly
Sealable	No
Form Factor	CFP2

Configuration Features

Number of Ports	2
Port Matrix Configuration	1 x 2

Electrical Characteristics

Data Rate (Max)	56 Gb/s
-----------------	---------

Body Features

Primary Product Plating Material	Nickel
Primary Product Material	Aluminum Alloy

Contact Features

Contact Current Rating (Max)	.5 A
------------------------------	------



Termination Features

Termination Method to PCB	Through Hole - Press-Fit
---------------------------	--------------------------

Dimensions

PCB Thickness (Recommended)	3 mm [.118 in]
-----------------------------	----------------

Product Width	87.84 mm
---------------	----------

Product Length	93.2 mm
----------------	---------

Usage Conditions

Operating Temperature Range	-55 – 85 °C
-----------------------------	-------------

Operation/Application

Heat Sink Compatible	Yes
----------------------	-----

Circuit Application	Signal
---------------------	--------

Packaging Features

Packaging Method	Box & Tray
------------------	------------

Other

Included Lightpipe	No
--------------------	----

EMI Containment Feature Type	Internal/External EMI Springs
------------------------------	-------------------------------

Product Compliance

[For compliance documentation, visit the product page on TE.com>](#)

EU RoHS Directive 2011/65/EU	Compliant
------------------------------	-----------

EU ELV Directive 2000/53/EC	Compliant
-----------------------------	-----------

China RoHS 2 Directive MIIT Order No 32, 2016	No Restricted Materials Above Threshold
---	---

EU REACH Regulation (EC) No. 1907/2006	Current ECHA Candidate List: JUNE 2024 (241) Candidate List Declared Against: JUNE 2024 (241) Does not contain REACH SVHC
--	---

Halogen Content	Low Halogen - Br, Cl, F, I < 900 ppm per homogenous material. Also BFR/CFR/PVC Free
-----------------	---

Solder Process Capability	Not applicable for solder process capability
---------------------------	--

Product Compliance Disclaimer

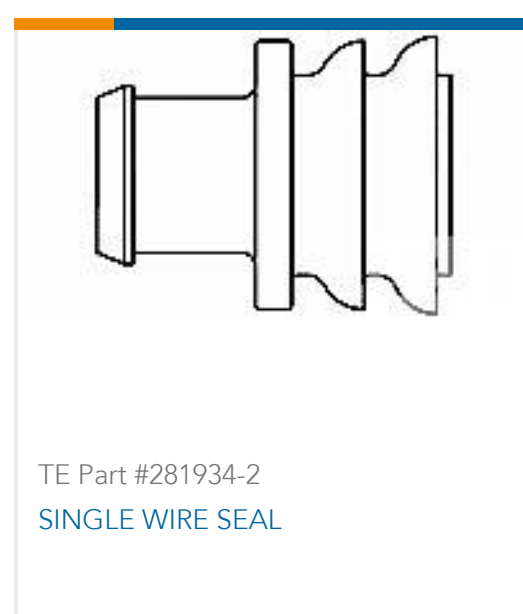
This information is provided based on reasonable inquiry of our suppliers and represents our current actual knowledge based on the information they provided. This information is subject to change. The part numbers that TE has identified as EU RoHS compliant have a maximum concentration of 0.1% by weight in homogenous materials for lead, hexavalent

chromium, mercury, PBB, PBDE, DBP, BBP, DEHP, DIBP, and 0.01% for cadmium, or qualify for an exemption to these limits as defined in the Annexes of Directive 2011/65/EU (RoHS2). Finished electrical and electronic equipment products will be CE marked as required by Directive 2011/65/EU. Components may not be CE marked. Additionally, the part numbers that TE has identified as EU ELV compliant have a maximum concentration of 0.1% by weight in homogenous materials for lead, hexavalent chromium, and mercury, and 0.01% for cadmium, or qualify for an exemption to these limits as defined in the Annexes of Directive 2000/53/EC (ELV). Regarding the REACH Regulation, the information TE provides on SVHC in articles for this part number is based on the latest European Chemicals Agency (ECHA) 'Guidance on requirements for substances in articles' posted at this URL: <https://echa.europa.eu/guidance-documents/guidance-on-reach>

Compatible Parts



Customers Also Bought



Documents

Product Drawings

CFP2 CAGE ASSEMBLY, 1X2

English

CAD Files

3D PDF

3D

Customer View Model



[ENG_CVM_CVM_2287076-2_1.2d_dxf.zip](#)

English

Customer View Model

[ENG_CVM_CVM_2287076-2_1.3d_igs.zip](#)

English

Customer View Model

[ENG_CVM_CVM_2287076-2_1.3d_stp.zip](#)

English

By downloading the CAD file I accept and agree to the [Terms and Conditions](#) of use.

Product Specifications

[Application Specification](#)

English