

# Product data sheet

Specifications



## passive filter, Altivar, 37A, 460V, 60Hz, for variable speed drive

VW3A46145

⚠ Discontinued on: Jun 30, 2023

⚠ Discontinued

### Main

Product or component type	Passive filter
Product specific application	Reduction of current harmonics

### Complementary

Range compatibility	Altivar Process ATV900 Altivar 71 Altivar 61 Altivar Process ATV600
[Us] rated supply voltage	480 V +/- 10 %
power supply frequency	60 Hz +/- 2 %
Quantity per drive	1 filter per drive for variable speed drive ATV61W motor: 22 kW/30 hp 1 filter per drive for variable speed drive ATV61H motor: 22 kW/30 hp 1 filter per drive for variable speed drive ATV71H motor: 22 kW/30 hp 1 filter per drive for variable speed drive ATV71W motor: 22 kW/30 hp 1 filter per drive for variable speed drive ATV650 wall mount, motor: 22 kW/30 hp 1 filter per drive for variable speed drive ATV630 wall mount, motor: 22 kW/30 hp 1 filter per drive for variable speed drive ATV950 wall mount, motor: 22 kW/30 hp 1 filter per drive for variable speed drive ATV930 wall mount, motor: 22 kW/30 hp
[In] rated current	37 A for output 36 A for input
Network number of phases	3 phases
THDI	10 % for variable speed drive ATV61W motor: 22 kW/30 hp 16 % for variable speed drive ATV61H motor: 22 kW/30 hp 16 % for variable speed drive ATV71H motor: 22 kW/30 hp 16 % for variable speed drive ATV71W motor: 22 kW/30 hp 10 % for variable speed drive ATV650 motor: 22 kW/30 hp 10 % for variable speed drive ATV630 motor: 22 kW/30 hp 10 % for variable speed drive ATV950 motor: 22 kW/30 hp 10 % for variable speed drive ATV930 motor: 22 kW/30 hp
Max current	1.5 x nominal current (duration = 60 s)
Efficiency	98 %
Thermal losses	242 W
Cos phi	1 (150 % of line current) 0.85 (75 % of line current) 0.99 (100 % of line current)
Electrical connection	A, B terminal, connection capacity: 2.5 mm <sup>2</sup> X1-1...X2-3 terminal, connection capacity: 1.5...25 mm <sup>2</sup>
Electrical insulation class	Class F
Net weight	37 kg

### Environment

<b>IP degree of protection</b>	IP20 IP55 (enclosure mounting)
<b>Vibration resistance</b>	2 mm peak to peak (f= 5...13.2 Hz) conforming to IEC 60068-2-6 0.7 gn (f= 13.2...150 Hz) conforming to IEC 60068-2-6
<b>Relative humidity</b>	5...85 % without condensation
<b>Ambient air temperature for operation</b>	45...60 °C (with current derating 3 % per °C) 5...45 °C (without current derating)
<b>Ambient air temperature for storage</b>	-25...55 °C storage in original packaging -25...65 °C during transport
<b>Operating altitude</b>	<= 1000 m without current derating > 1000...4000 m with current derating 5 % per 1000 m
<b>Standards</b>	IEC 61000-2-2 IEC 61000-3-12 G5/4 engineering recommendation IEC 61000-3-2 IEC 61000-2-4 IEC 61000-3-4

## Packing Units

<b>Unit Type of Package 1</b>	PCE
<b>Number of Units in Package 1</b>	1
<b>Package 1 Height</b>	61.000 cm
<b>Package 1 Width</b>	60.000 cm
<b>Package 1 Length</b>	80.000 cm
<b>Package 1 Weight</b>	49.2 kg

## Sustainability

**Green Premium™** label is Schneider Electric's commitment to delivering products with best-in-class environmental performance. Green Premium promises compliance with the latest regulations, transparency on environmental impacts, as well as circular and low-CO<sub>2</sub> products.

**Guide to assessing product sustainability** is a white paper that clarifies global eco-label standards and how to interpret environmental declarations.

[Learn more about Green Premium >](#)

[Guide to assess a product's sustainability >](#)

## Well-being performance

✓ Reach Free Of Svhc

---

✓ Toxic Heavy Metal Free

---

✓ Mercury Free

---

✓ Rohs Exemption Information [Yes](#)

---

**Eu Rohs Directive** Pro-active compliance (Product out of EU RoHS legal scope)

[EU RoHS Declaration](#)

---

**China Rohs Regulation** [China RoHS declaration](#)

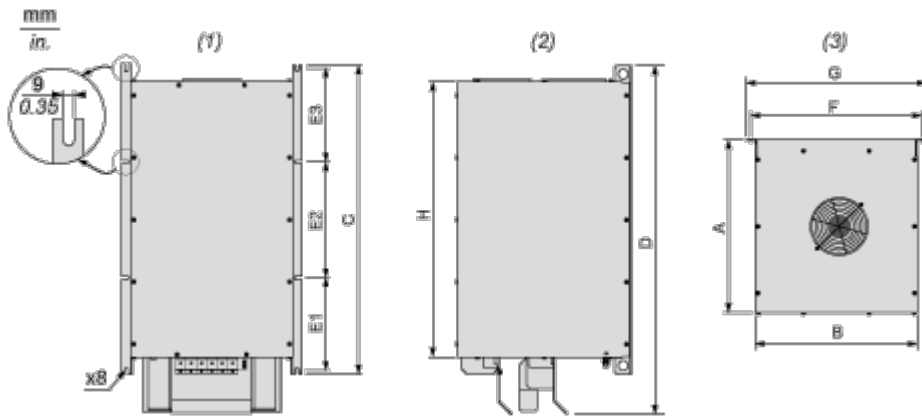
---

**California Proposition 65** WARNING: This product can expose you to chemicals including: Lead and lead compounds, which is known to the State of California to cause cancer and birth defects or other reproductive harm. For more information go to [www.P65Warnings.ca.gov](http://www.P65Warnings.ca.gov)

---

Dimensions Drawings

Dimensions



- (1) Front view
- (2) Right side view
- (3) Top view

Dimensions in mm

A	B	C	D	E1	E2	E3	F	G	H
242	330	547	594.08	145	233	145	353	378	460

Dimensions in in.

A	B	C	D	E1	E2	E3	F	G	H
9.53	12.99	21.54	23.39	5.71	9.17	5.71	13.90	14.88	18.11

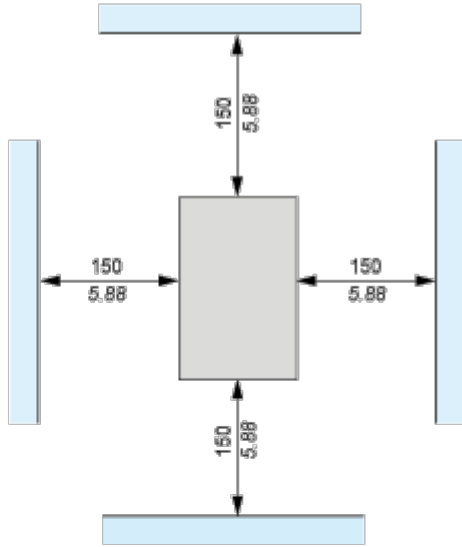
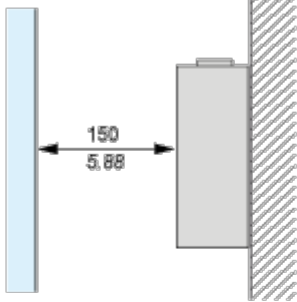
Mounting and Clearance

Mounting Recommendations

---

Vertical Mounting Only

mm  
in.

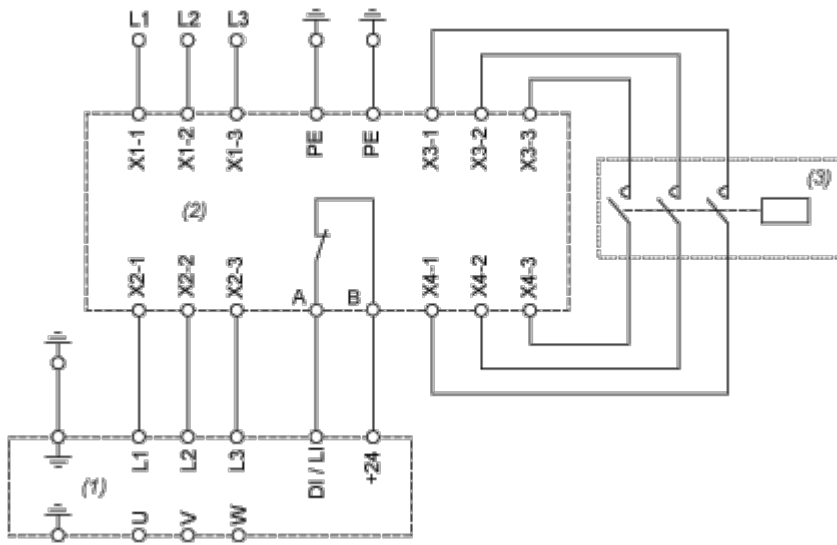


(1) Filter

Connections and Schema

Recommended Schema

---



- (1) Drive
- (2) Filter
- (3) Optional