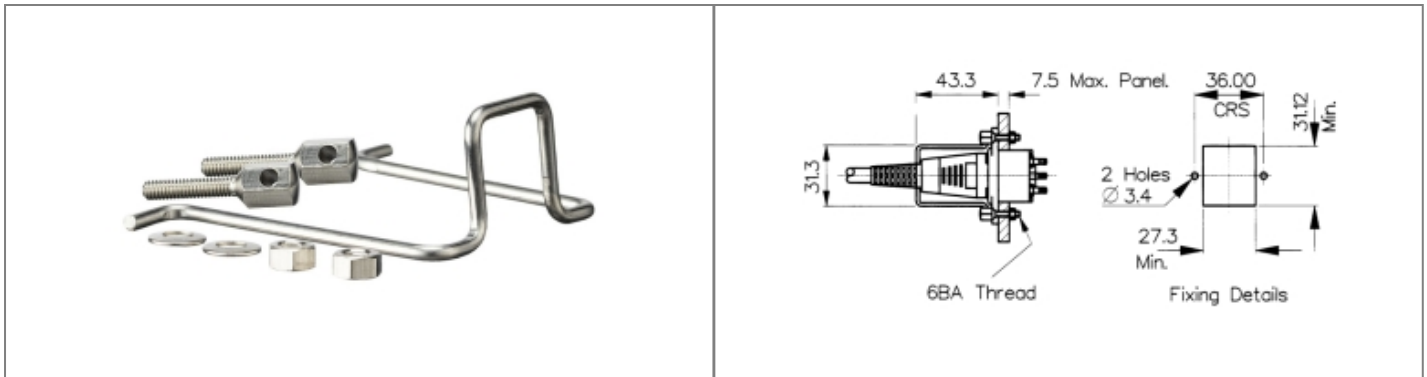


KT0009 Datasheet

Product Name // Retaining Clip For Flange Mount Fused Inlet

[View Product Page](#)


// Product Description:

- ⊗ Retaining Clips
- ⊗ Prevent accidental removal of mating connector
- ⊗ Suitable for the following connector combinations only:
 - ⊗ KT0006 for Flange Mount IEC Inlets: PX0580+PX0587, PX0590+PX0597, PX0690+PX0587, PX0675+PX0686, PX0793+PX0686
 - ⊗ KT0009 for Flange Mount Fused IEC Inlets: PF0001+PX0587, PF0002+PX0587, PF0030+PX0587
 - ⊗ KT0012 for Flange Mount C20 IEC Inlet: PX0596+PX0599

// General Information:

Product Display Title:	Retaining Clips
Product Family:	IEC Connectors
Product Series:	IEC60320 Main Inlets and Outlets
Body Material:	SS 304
Function:	Accessory
iec Connector Mates With:	PF0001+PX0587,PF0002+PX0587,PF0030+PX0587

// Product PDF Links

[IEC Connectors product data](#)

// Product 3D CAD Model Links

[KT00093D CAD Model](#)