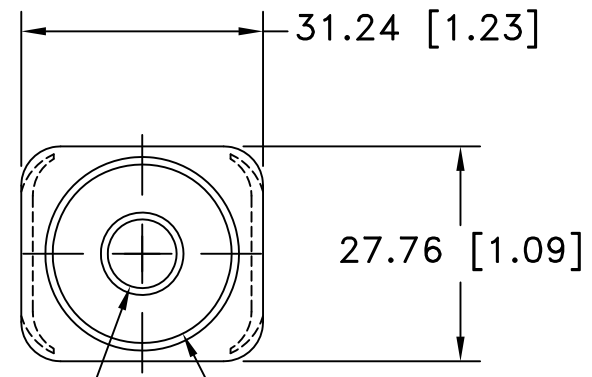
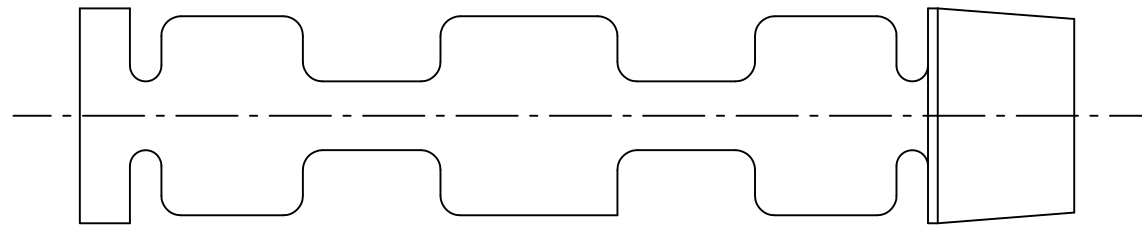
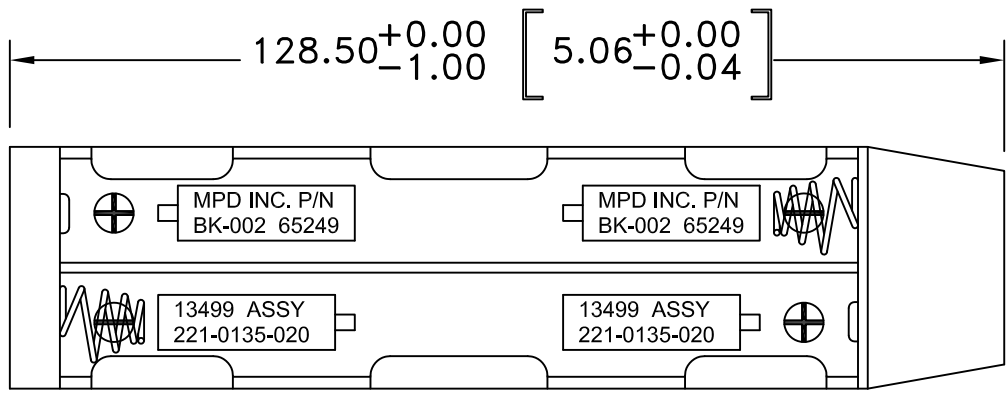
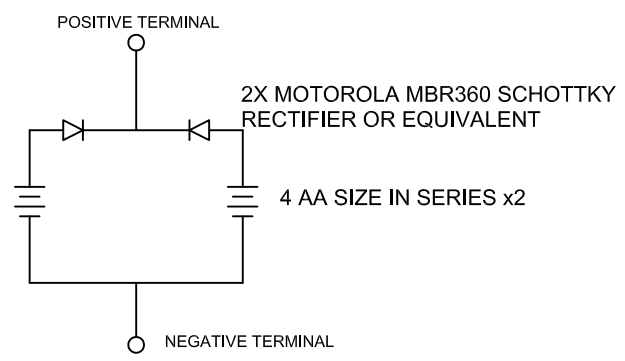


Date	SYM	REVISION RECORD	AUTH	DR.	CK.
1/13/07	A	ADDED "ROHS COMPLIANT"	T B	B.S.	
3/07/14	B	UPDATED ROHS 2 COMPLIANT	T B	B.S.	



8.90 [0.35]
 POSITIVE TERMINAL


$\phi 23.11 [\phi 0.91]$
 NEGATIVE TERMINAL



NOTES:

1. MATERIAL:

- HOUSING : BLACK POLYPROPYLENE, UL94-HB, FILE NO. E163907 (J700)
- RIVETS: BRASS, NICKLE PLTD.
- SPRING: SPRING STEEL, NICKLE PLTD.
- CONTACTS: 0.6mm THICK BRONZE, NICKLE PLTD.
- ROHS 2 COMPLIANT

Tolerance (Except as noted)	 Memory Protection Devices, Inc 200 Broad Hollow Road, Farmingdale, New York 11735	Scale	Drawn By B.S.
			Approved By T.B.
decimal $\pm .5 (.020)$	Title EIGHT "AA" CELL HOLDER-6 VOLT OUTPUT		
Fractional $\pm .8 (.030)$		Date 3/07/14	Drawing Number BK-002
Angular $\pm 3^\circ$			