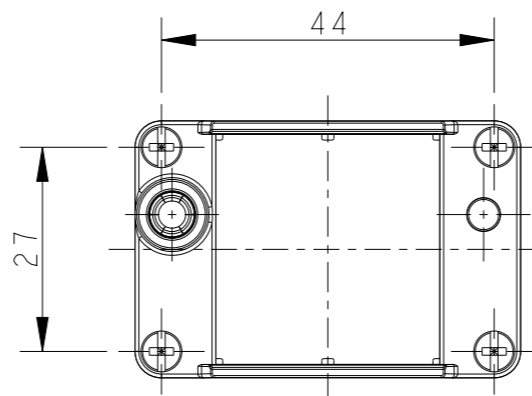
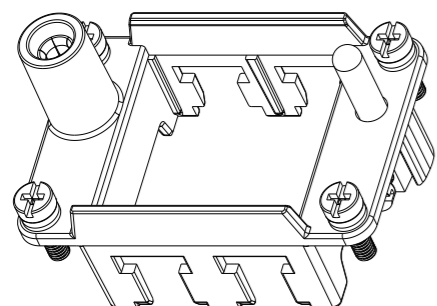
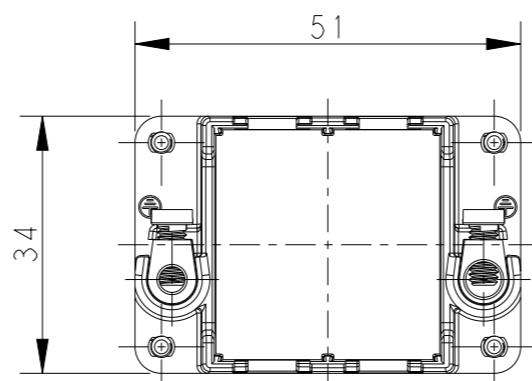
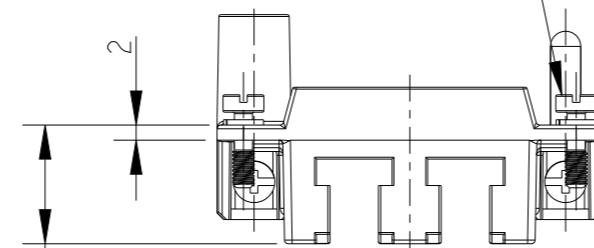


REVISIONS

P	LTR	DESCRIPTION	DATE	DWN	APVD
	A	INITIAL	28FEB2015	DW	CW
	A1	ECR-16-000601	14JAN2016	DW	CW
	A2	ECR-16-017508	10DEC2016	RL	CW
	B	ECR-21-122216	08DEC2021	WQR	CW



4X M3 SCREW
RECOMMENDED TIGHTENING TORQUE 0.5Nm
4X M3 螺丝推荐锁紧力矩为0.5Nm



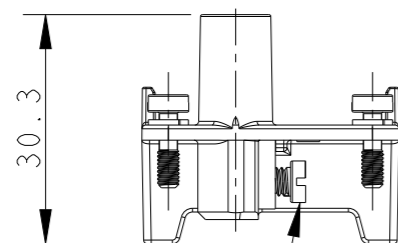
T2070064001-000 SHOWN ABOVE WITHOUT MARK
T2070064001-000, 不带标记

NOTES:

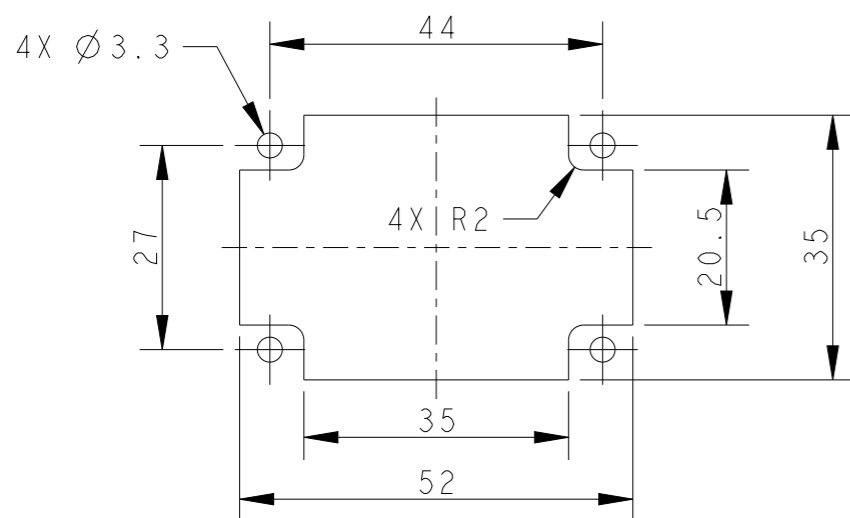
- 1. TECHNICAL CHARACTERISTICS:
FRAME MATERIAL: DIE CAST ZINC ALLOY
NUMBER OF MODULES: 2
SURFACE: ZINC PLATED
MATING CYCLES: 500 CYCLES

注释:

- 1. 技术参数:
框架材料: 锌合金
模块数量: 2
表面处理: 镀锌
插拔次数: 500次



2X M4 SCREW, RECOMMENDED TIGHTENING TORQUE 1.2Nm
2X M4 螺丝, 推荐锁紧力矩为1.2Nm



PANEL CUT FOR FRAME USE WITHOUT HOODS/ HOUSINGS

T2070064001-000	H6BN-T2	H6BN MODULE FRAME H6BN模块框架
T2070064101-000	H6BN-T2-M	H6BN MALE MODULE FRAME H6BN模块公框架
T2070064201-000	H6BN-T2-F	H6BN FEMALE MODULE FRAME H6BN模块母框架

PART NUMBER 料号	PART DESCRIPTION 描述	
-------------------	------------------------	--

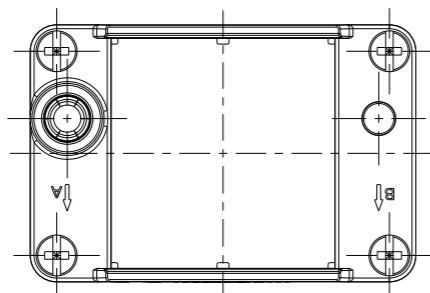
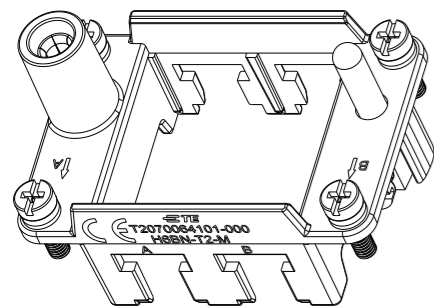
THIS DRAWING IS A CONTROLLED DOCUMENT.

DIMENSIONS: mm	TOLERANCES UNLESS OTHERWISE SPECIFIED:
	0 PLC ±-
	1 PLC ±-
	2 PLC ±-
	3 PLC ±-
	4 PLC ±-
	ANGLES ±-
	FINISH ±-
MATERIAL	-
	-

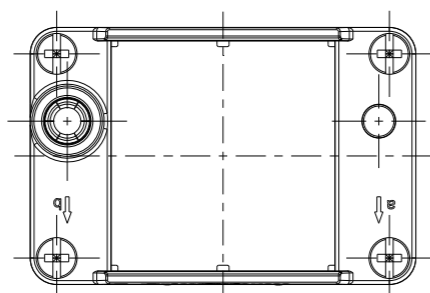
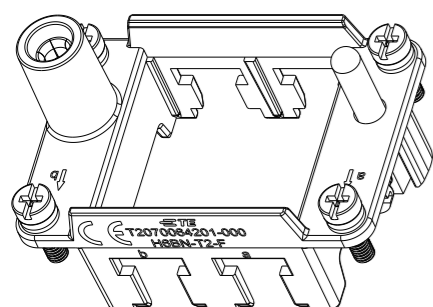
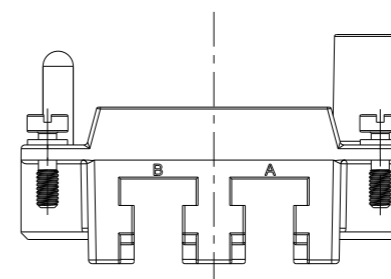
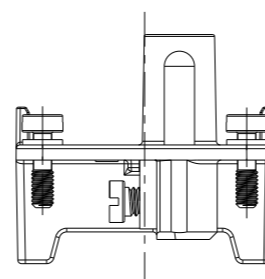
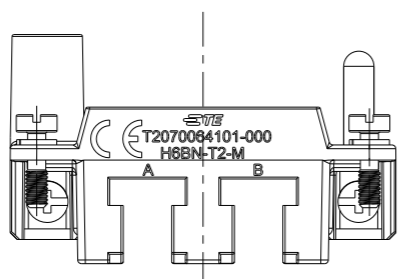
DWN	28FEB2015	DAVID WANG
CHK	28FEB2015	CHRIS WANG
APVD	28FEB2015	XIANG XU
PRODUCT SPEC	108-137057	
APPLICATION SPEC	114-137057	
WEIGHT	-	
Customer Drawing		

TE Connectivity		NAME		H6BN-T2	
		SIZE	CAGE CODE		DRAWING NO
RESTRICTED TO		A300779		©-T2070064001000	
SCALE	1:1	SHEET	1 OF 2	REV	B

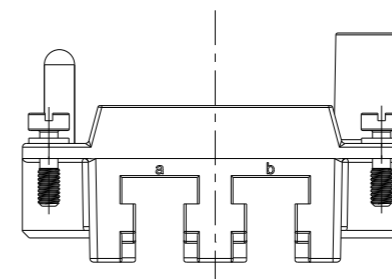
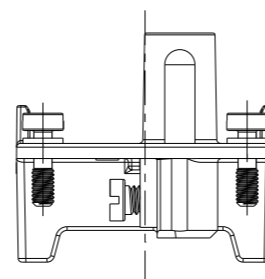
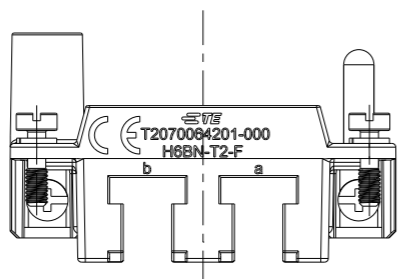
P	LTR	DESCRIPTION	DATE	DWN	APVD
-	-	SEE SHEET 1	-	-	-




T2070064101-000, H6BN-T2-M SHOWN
 WITH MARK, ALL DIMENSIONS THE SAME TO T2070064001-000
 T2070064101-000, H6BN-T2-M, 带标记, 所有尺寸同T2070064001-000一样



T2070064201-000, H6BN-T2-F SHOWN
 WITH MARK, ALL DIMENSIONS THE SAME TO T2070064001-000
 T2070064201-000, H6BN-T2-F, 带标记, 所有尺寸同T2070064001-000一样



THIS DRAWING IS A CONTROLLED DOCUMENT.		DWN 28FEB2015 DAVID WANG	 TE Connectivity				
DIMENSIONS: mm		CHK 28FEB2015 CHRIS WANG			NAME H6BN-T2		
TOLERANCES UNLESS OTHERWISE SPECIFIED:		APVD 28FEB2015 XIANG XU	PRODUCT SPEC 108-137057				
0 PLC ±- 1 PLC ±- 2 PLC ±- 3 PLC ±- 4 PLC ±- ANGLES ±-		APPLICATION SPEC 114-137057	SIZE A3	CAGE CODE 00779	DRAWING NO T2070064001000	RESTRICTED TO -	
MATERIAL -		FINISH -	WEIGHT -	SCALE 1:1		SHEET 2 OF 2	REV B
		CUSTOMER DRAWING					