

Product Information



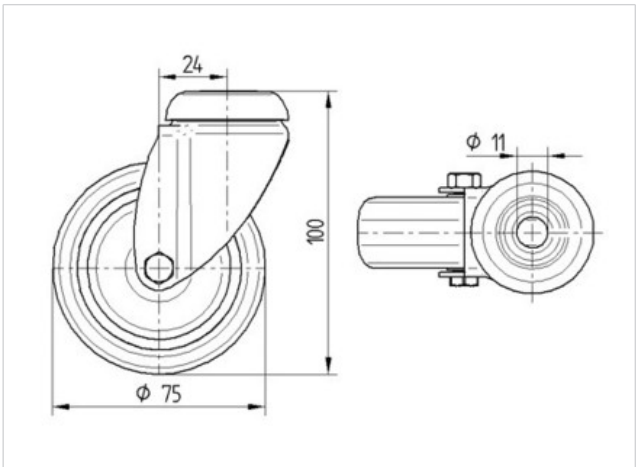
7470PJO075P30-11

EAN 4031582350982

Swivel castor, housing made of Stainless Steel, double ball bearing swivel head, wheel axle with nut, bolt hole. Wheel centre made of Polypropylene, Tread: TENTEprene (thermoplastic rubber), grey non-marking, plain bearing

Technical Data	
Wheel diameter	75 mm
Width of Tread	25 mm
Centre hole	11 mm
Offset	24 mm
Swivel Interference	123 mm
Overall height	100 mm
Temperature	- 20 / + 60 °C
Standard	EN 12530
Weight	0.226 kg
Swivel Radius	61.5 mm
Hardness of tread	Shore A 85
Load capacity	75 kg
Load capacity (static)	150 kg

Roll performance	+	+	+	+	+
Movement noise	+	+	+	+	+
Attrition	+	+	+	+	+
Corrosion resistance	+	+	+	+	+



Product Information



7470PJO075P30-11

EAN 4031582350982

