



Features

- UL F class rated standard
- Small size and light weight
- PC board mounting
- UL/CUL certified

Contact Data*

Contact Arrangement	1A = SPST N.O. 1B = SPST N.C. 1C = SPDT
Contact Resistance	< 50 milliohms initial
Contact Material	AgSnO ₂
Maximum Switching Power	2500VA, 420W
Maximum Switching Voltage	380VAC, 110VDC
Maximum Switching Current	20A

UL Contact Ratings	
20A Contact	20A @ 16VDC / 125VAC gp 10A @ 250VAC general purpose 1/3hp @ 125VAC / 277VAC
20A Contact N.O.	10A @ 250VAC 85C, 100K cycles general purpose
15A Contact	15A @ 125VAC general purpose 6A @ 277VAC general purpose
15A Contact N.O.	15A @ 125VAC resistive, 30K cycles 4FLA, 40LRA @ 24VDC DC motor, 1000 cycles
12A Contact	12A @ 125VAC general purpose 12A @ 28VDC general purpose

TÜV Contact Ratings – .36W coil power only	
N.O.	6A @ 250VAC 6A @ 28VDC
N.C.	6A @ 250VAC 6A @ 28VDC

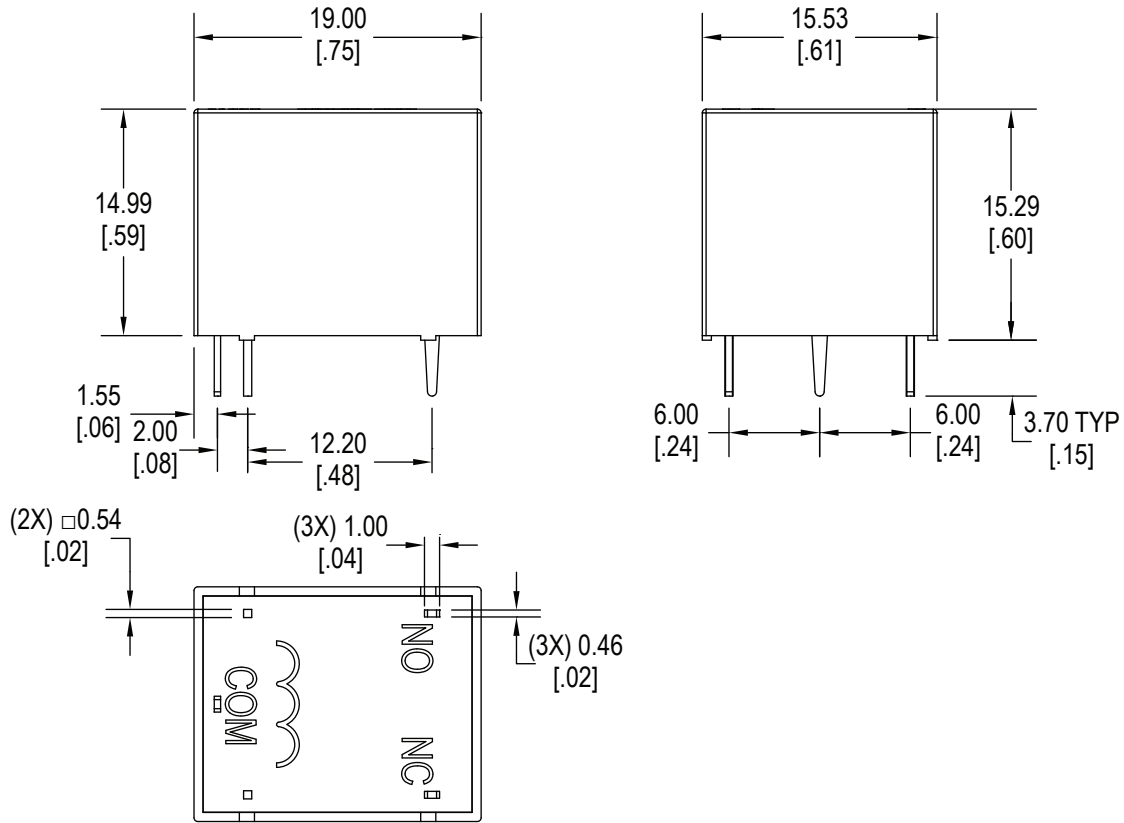
Coil Data*

Coil Voltage VDC		Coil Resistance Ω +/- 10%			Pick Up Voltage VDC (max)	Release Voltage VDC (min)	Coil Power W	Operate Time ms	Release Time ms
Rated	Max	.36W	.45W	.80W	75% of rated voltage	10% of rated voltage			
3	3.9	25	20	11	2.25	.3	.36 .45 .80	10	5
5	6.5	70	56	31	3.75	.5			
9	11.7	225	180	101	6.75	.9			
12	15.6	400	320	180	9.00	1.2			
24	31.2	1600	1280	720	18.00	2.4			
48	62.4	6400	5120	2880	36.00	4.8			

J107F

Dimensions

Units = mm



Schematics & PC Layouts

Bottom Views

