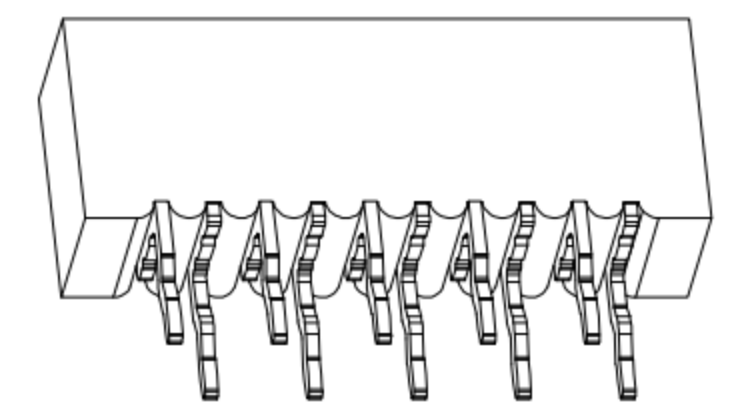
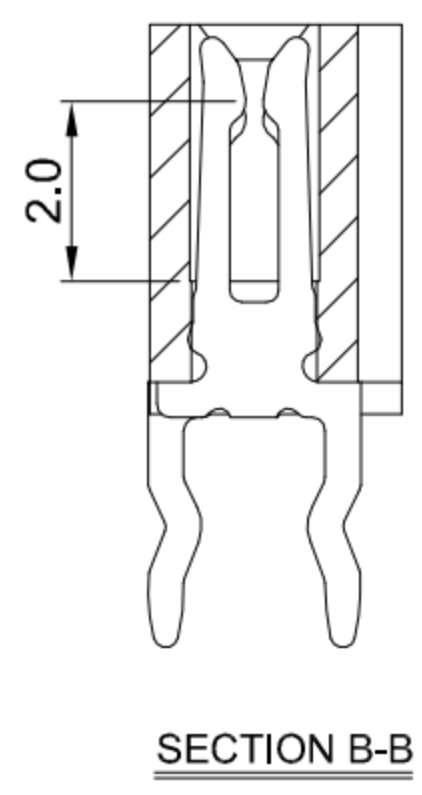
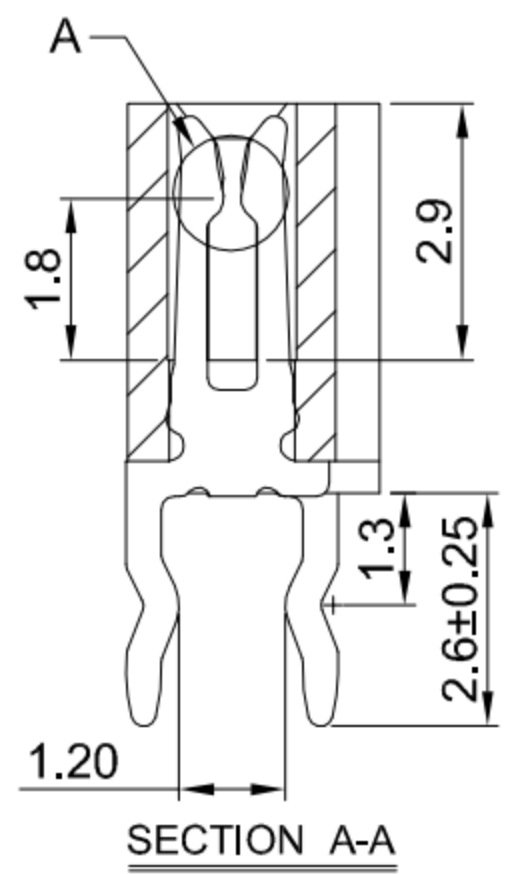
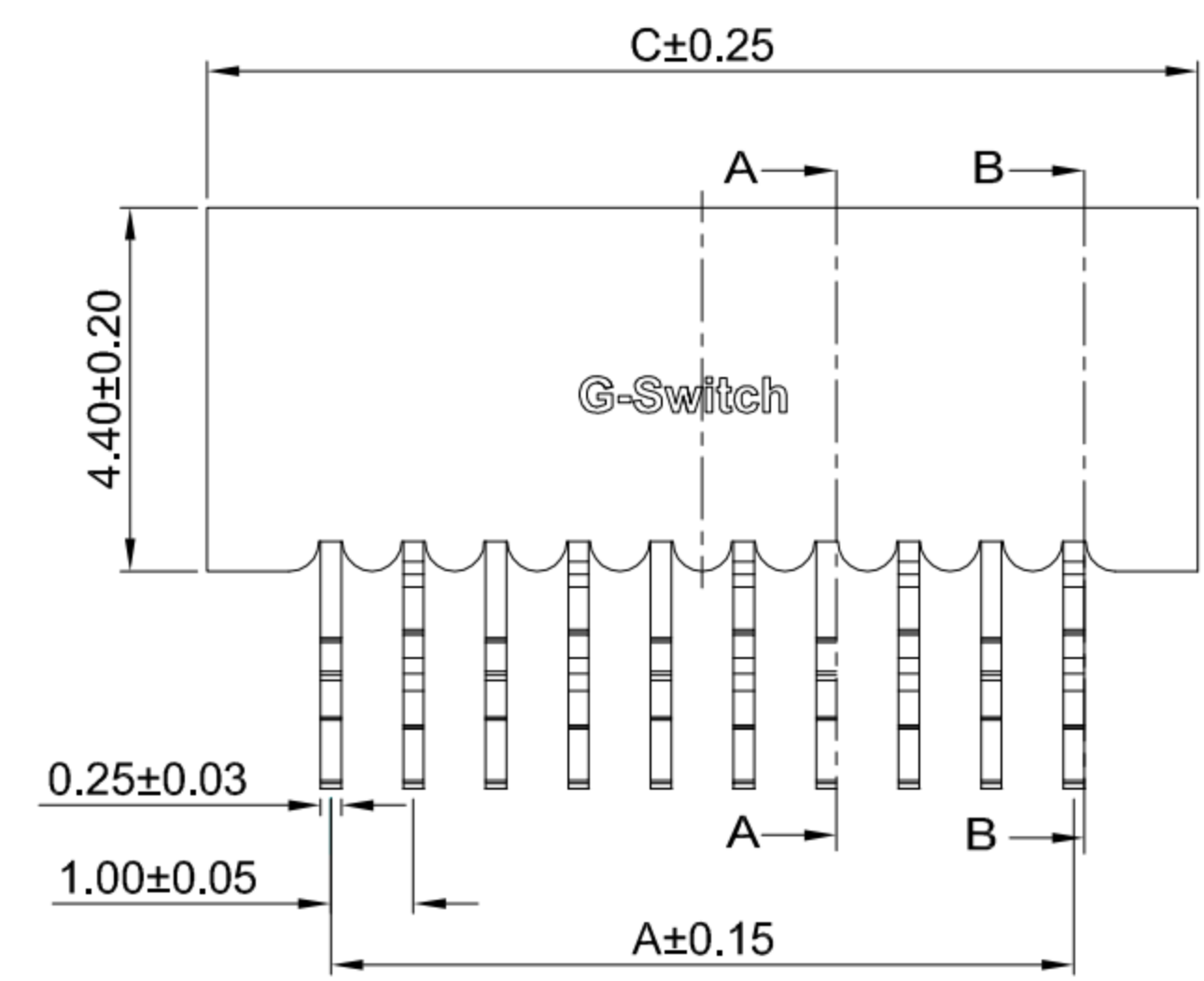
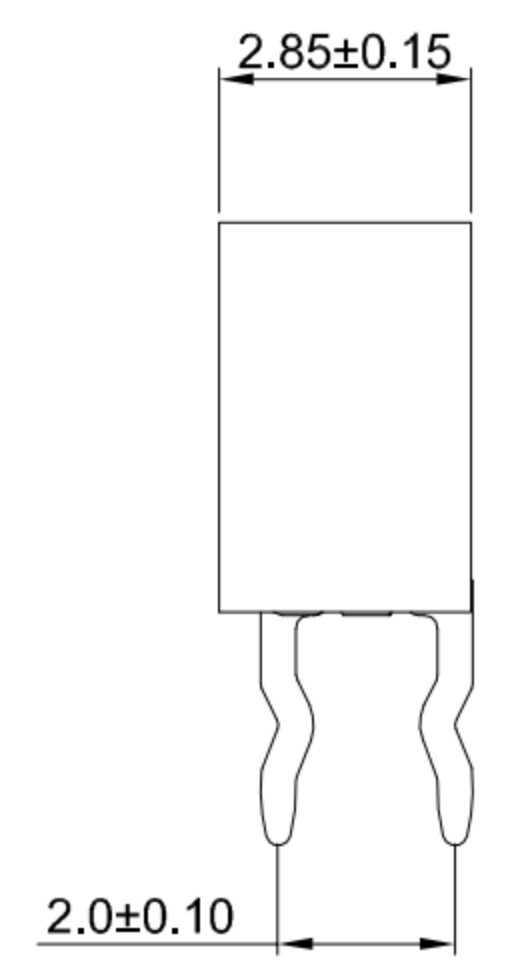


- G-Switch Specification:**
- 1.Current rated: 0.5A AC/DC
 - 2.Voltage rating: 50V AC/DC
 - 3.Withstanding voltage: 200V AC
 - 4.Contact resistance: 30mΩ max.
 - 5.Insulation resistance: 800MΩ min
 - 6.Durability cycle: 20Cycles
 - 7.Removal force: 0.04kgf/Pin min
 - 8.Operating temperature range: -25°C ~ +85°C



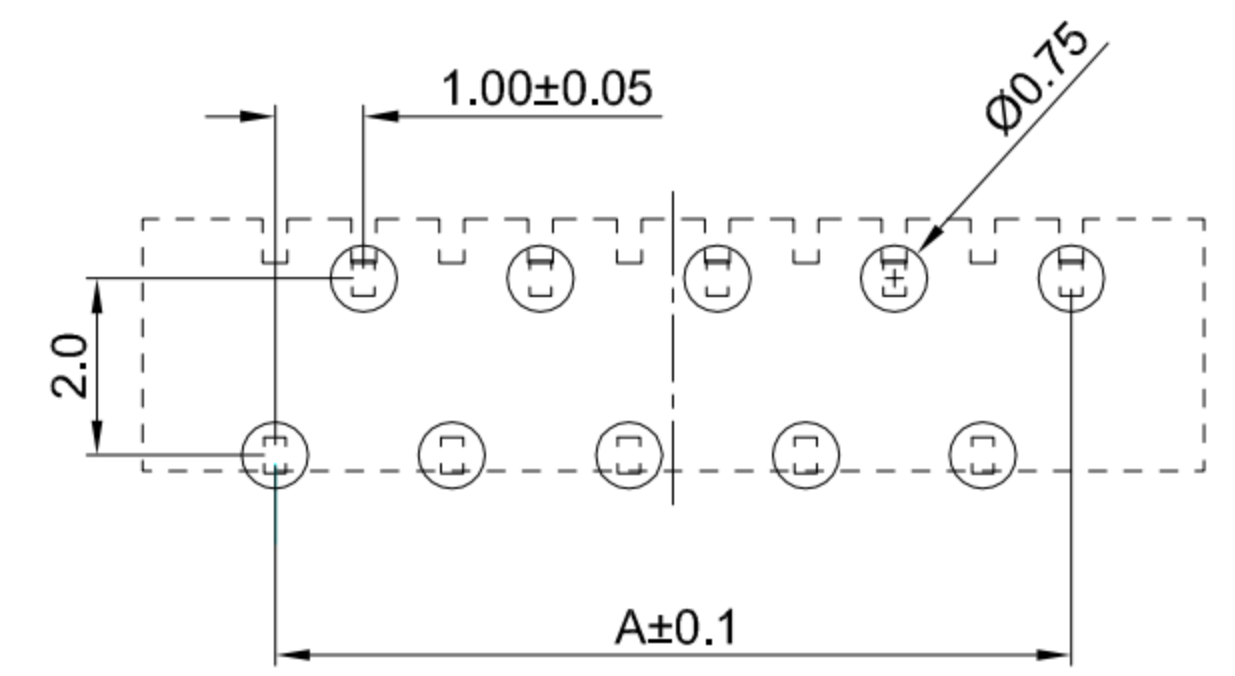
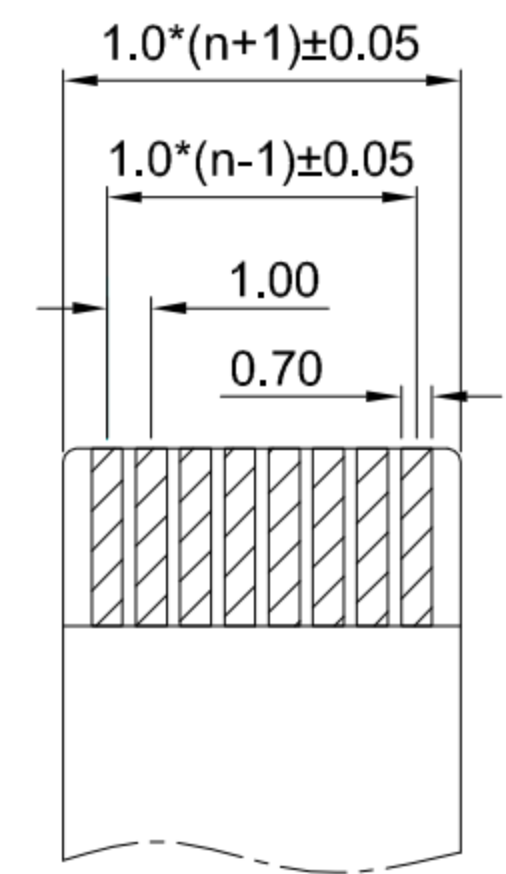
GT-F1009 D V 44 -XX X XX 01

- G-Switch**
- Series No**
- Termipoint**
D-DIP
- Angle**
V-180°
- Terminal Plating**
BT-Bright Tin
- Housing Colour**
S-Nature
B-Black
- Pin Q' PY**
04~34
- Height**
44-4.40mm



Ordering Information:

Circuit	Dimensions(mm)			Circuit	Dimensions(mm)		
	A	B	C		A	B	C
04	3.00	5.10	6.00	20	19.00	21.10	22.00
05	4.00	6.10	7.00	21	20.00	22.10	23.00
06	5.00	7.10	8.00	22	21.00	23.10	24.00
07	6.00	8.10	9.00	23	22.00	24.10	25.00
08	7.00	9.10	10.00	24	23.00	25.10	26.00
09	8.00	10.10	11.00	25	24.00	26.10	27.00
10	9.00	11.10	12.00	26	25.00	27.10	28.00
11	10.00	12.10	13.00	27	26.00	28.10	29.00
12	11.00	13.10	14.00	28	27.00	29.10	30.00
13	12.00	14.10	15.00	29	28.00	30.10	31.00
14	13.00	15.10	16.00	30	29.00	31.10	32.00
15	14.00	16.10	17.00	31	30.00	32.10	33.00
16	15.00	17.10	18.00	32	31.00	33.10	34.00
17	16.00	18.10	19.00	33	32.00	34.10	35.00
18	17.00	19.10	20.00	34	33.00	35.10	36.00
19	18.00	20.10	21.00	---	---	---	---



RECOMMENDED PCB LAYOUT
TOLERANCE:±0.05

2	CONTACT	PHOSPHOR BRONZE	BRIGHT Tin
1	HOUSING	LCP,94V-0	NATURE OR BLACK
NO.	PART NAME	MATERIAL	REMARK



SCALE: 1:1 UNIT: mm
SIZE: A4

Unless otherwise General Tolerance:
X ±0.40
X.x ±0.30
X.xx ±0.20
X* ±5°
X.x° ±3°

Title: FPC 1.00mm Pitch 180° DIP Double Row
Double Double Sided Welding

Molde Code: GT-F1009DV44-XXXXX01

DRAWN	CHECKED	APPROVED	DATE
Jiang	Hu	Chen	2021.06.28



REV: A0 SHEET: 1/1