

PSR-CT-C-ACT - Safety switch actuator



2702973

<https://www.phoenixcontact.com/us/products/2702973>

Please be informed that the data shown in this PDF document is generated from our online catalog. Please find the complete data in the user documentation. Our general terms of use for downloads are valid.



Proximity safety circuit up to Cat. 4, PL e (EN ISO 13849), SIL 3 (IEC 61508), coded actuator, compatible with all sensor coding types, supplied inductively via the sensor, IP69K

Product description

The PSR-CT safety circuit consists of a combination of a PSR-CT-...-SEN-1-8 sensor with varying coding types and a coded PSR-CT-C-ACT actuator. It provides maximum tamper protection and the highest level of safety in accordance with EN ISO 14119. The PSR-CT safety circuit is available with the following types of coding: **Fixcode:** For the sensor to detect the actuator, the actuator must first be associated with the sensor via a learning process. The learning process can only be completed once. The sensor and actuator are then permanently assigned to each other by their coding. Safety circuits with fixcode evaluation achieve a **high coding level**. **Unicode:** For the sensor to detect the actuator, the actuator must first be assigned to the sensor via a learning process. The learning process for a new actuator can be repeated any number of times. The sensor only detects the last learned actuator. Safety circuits with unicode evaluation achieve a **high coding level**. **Multicode:** The sensor detects every actuator of the approved type. No specific actuator code can be assigned. Safety circuits with multicode evaluation achieve a **low coding level**.

Your advantages

- Integrated reset function on the switch
- 4 actuation settings, 3 travel directions
- Tamper protection via RFID transponder technology
- Rapid diagnostics, thanks to comprehensive status information
- Consistent M12 connection technology for convenient installation
- Safe series connection in accordance with EN ISO 14119
- Flexible use, thanks to compact design
- Safe, cost-effective complete solution

Commercial data

Item number	2702973
Packing unit	1 pc
Minimum order quantity	1 pc
Sales key	DN04
Product key	DNA611
Catalog page	Page 213 (C-6-2019)
GTIN	4055626447001
Weight per piece (including packing)	40.7 g
Weight per piece (excluding packing)	31.5 g

PSR-CT-C-ACT - Safety switch actuator



2702973

<https://www.phoenixcontact.com/us/products/2702973>

Customs tariff number	85365019
Country of origin	DE

PSR-CT-C-ACT - Safety switch actuator



2702973

<https://www.phoenixcontact.com/us/products/2702973>

Technical data

Notes

Note on application

Note on application	Only for industrial use
---------------------	-------------------------

Product properties

Product type	Safety switches
Application	Safety door monitoring Position monitoring
Technology	Transponder

Data management status

Article revision	00
------------------	----

Electrical properties

Power supply	inductively, via the sensor
--------------	-----------------------------

Switching intervals: Actuation position A, B when traveling in X direction

Actuation setting	Actuation position A, B when traveling in X direction
Power-on interval	typ. 13 mm
Fused switching interval S_{ao}	10 mm (Position A) 9 mm (Position B)
Fused power off interval S_{ar}	max. 20 mm
Switching hysteresis	min. 1 mm typ. 2 mm
Repeat accuracy	$\leq 10 \%$

Switching intervals: Actuation position C, D when traveling in X direction

Actuation setting	Actuation position C, D when traveling in X direction
Power-on interval	typ. 7 mm
Fused switching interval S_{ao}	3 mm (Position C) 2 mm (Position D)
Fused power off interval S_{ar}	max. 17 mm
Switching hysteresis	min. 1 mm typ. 2 mm
Repeat accuracy	$\leq 10 \%$

Connection data

Connection technology

pluggable	no
-----------	----

Conductor connection

Connection method	without
-------------------	---------

PSR-CT-C-ACT - Safety switch actuator



2702973

<https://www.phoenixcontact.com/us/products/2702973>

Dimensions

Dimensional drawing	
Width	26.5 mm
Height	40 mm
Depth	18 mm
Minimum distance	140 mm (between two safety circuits) 7 mm (between sensor and actuator when traveling in the Y-direction)

Material specifications

Color (Housing)	yellow (RAL 1018)
Housing material	PBT

Characteristics

Safety data: EN ISO 13849

Category	4
Performance level (PL)	e

Safety data: IEC 61508 - High demand

Safety Integrity Level (SIL)	3
------------------------------	---

Environmental and real-life conditions

Ambient conditions

Degree of protection	IP65/IP67/IP69/IP69K
Ambient temperature (operation)	-25 °C ... 55 °C
Ambient temperature (storage/transport)	-40 °C ... 70 °C

Mounting

Mounting type	not flush
Assembly note	Note EN ISO 14119 max. tightening torque to secure: 0.8 Nm
Mounting position	active surface across from sensor

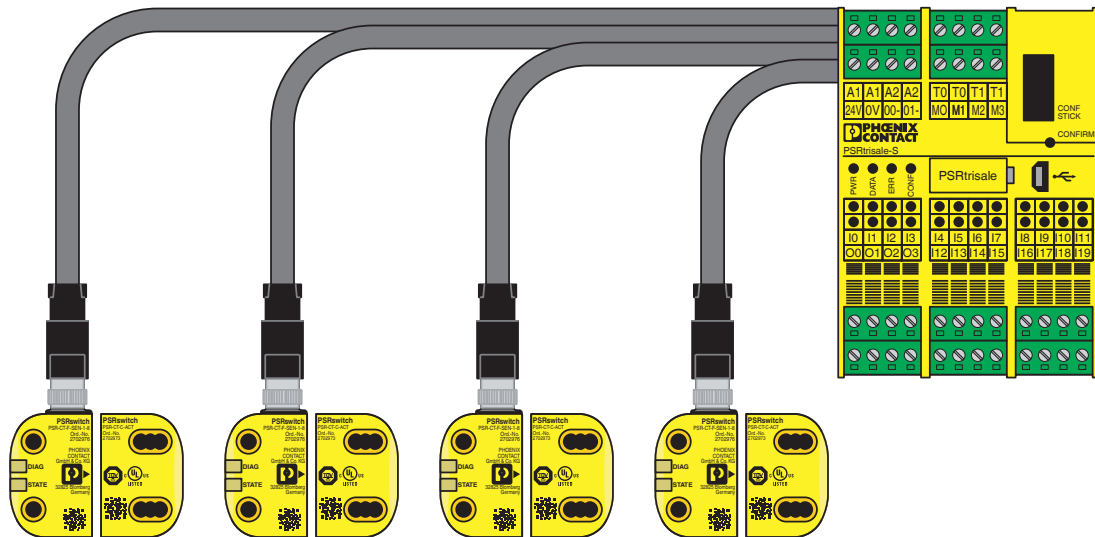
PSR-CT-C-ACT - Safety switch actuator

2702973

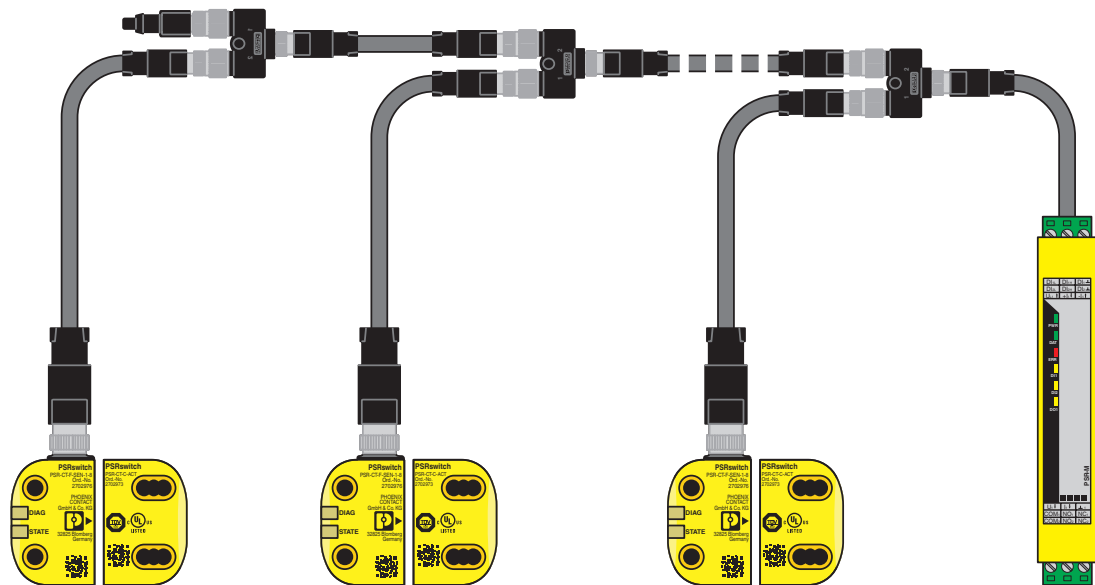
<https://www.phoenixcontact.com/us/products/2702973>

Drawings

Application drawing



Application drawing

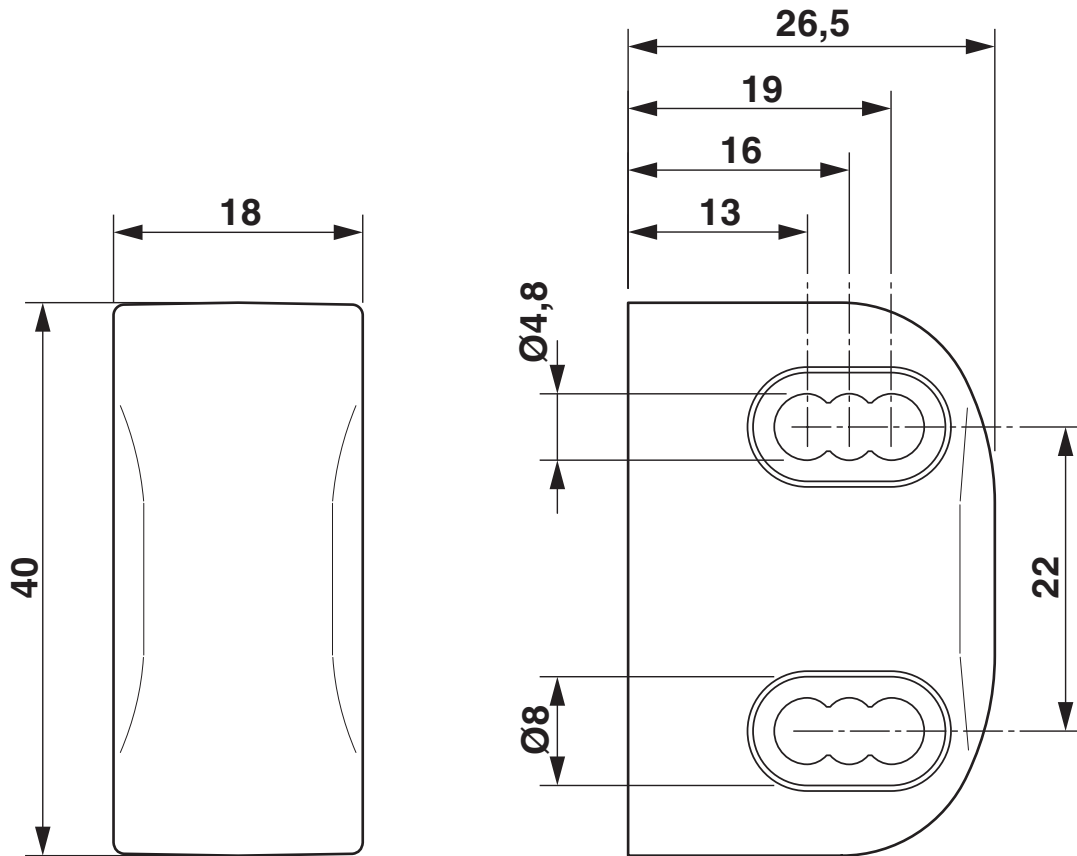


PSR-CT-C-ACT - Safety switch actuator

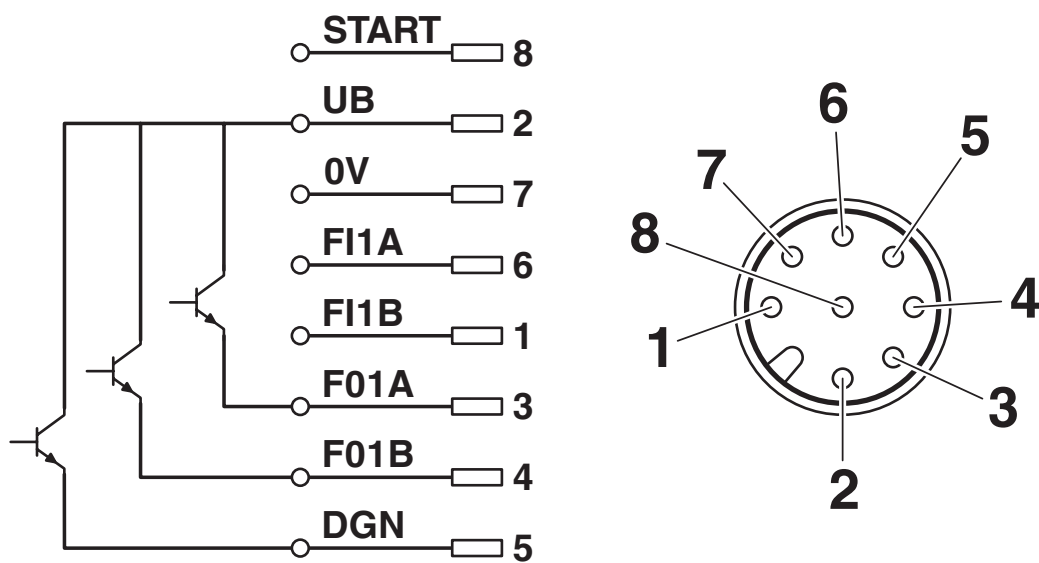
2702973

<https://www.phoenixcontact.com/us/products/2702973>

Dimensional drawing



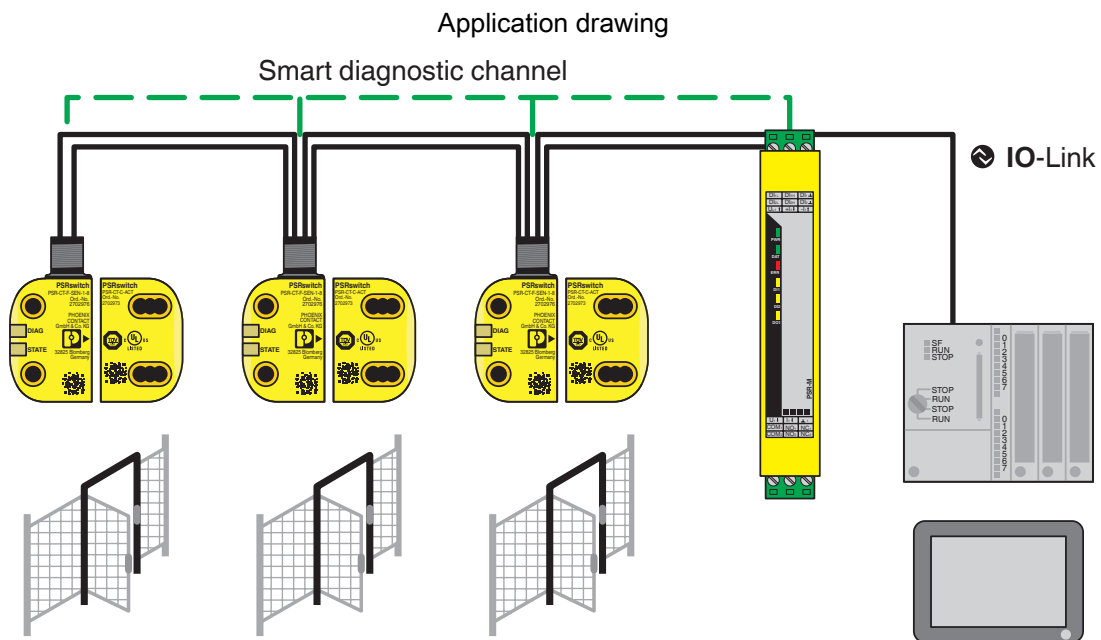
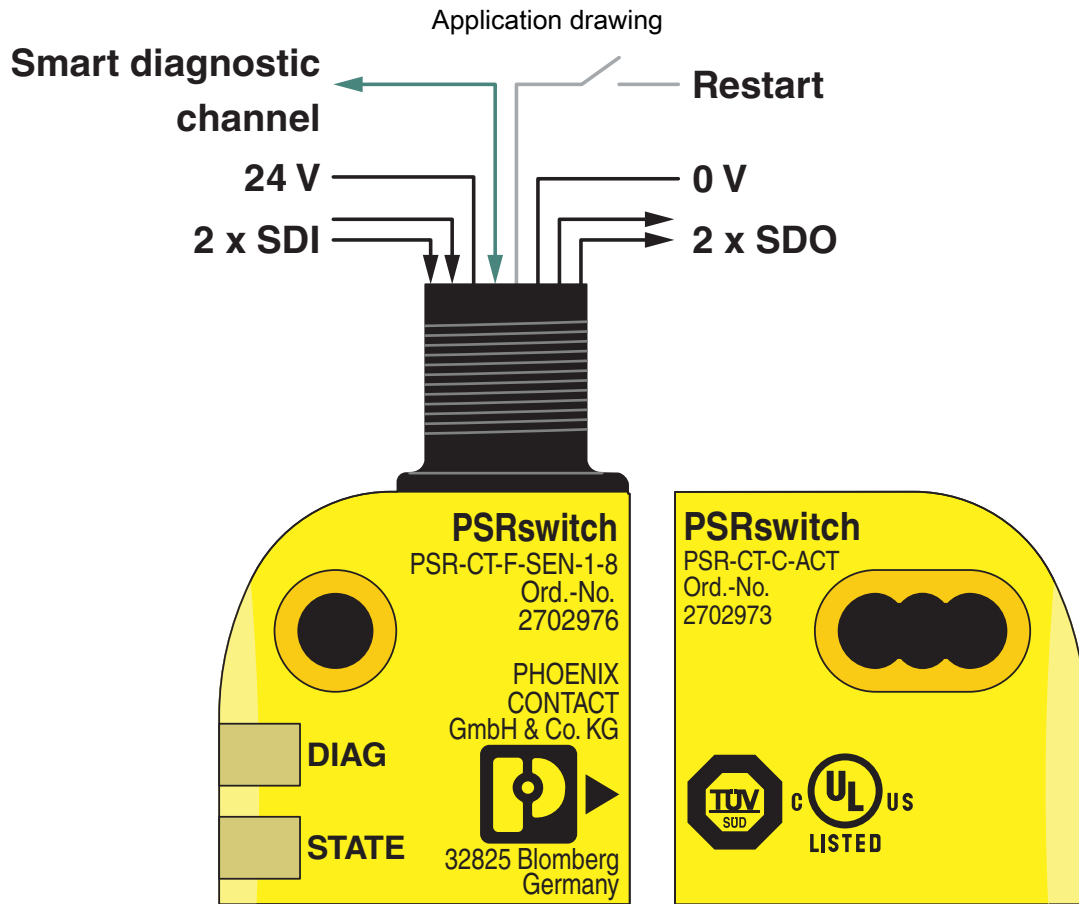
Connection diagram



PSR-CT-C-ACT - Safety switch actuator

2702973

<https://www.phoenixcontact.com/us/products/2702973>



PSR-CT-C-ACT - Safety switch actuator



2702973

<https://www.phoenixcontact.com/us/products/2702973>

Approvals

To download certificates, visit the product detail page: <https://www.phoenixcontact.com/us/products/2702973>



UL Listed

Approval ID: E196162



cUL Listed

Approval ID: E196162



Functional Safety

Approval ID: Z10 18 04 29429 005

cULus Listed

PSR-CT-C-ACT - Safety switch actuator



2702973

<https://www.phoenixcontact.com/us/products/2702973>

Classifications

ECLASS

ECLASS-11.0	27272403
ECLASS-12.0	27274601
ECLASS-13.0	27274601

ETIM

ETIM 9.0	EC003015
----------	----------

UNSPSC

UNSPSC 21.0	32151800
-------------	----------

PSR-CT-C-ACT - Safety switch actuator



2702973

<https://www.phoenixcontact.com/us/products/2702973>

Environmental product compliance

EU RoHS

Fulfills EU RoHS substance requirements	Yes, No exemptions
-----------------------------------------	--------------------

China RoHS

Environment friendly use period (EFUP)	EFUP-50
	An article-related China RoHS declaration table can be found in the download area for the respective article under "Manufacturer declaration". For all articles with EFUP-E, no China RoHS declaration table issued and required.

EU REACH SVHC

REACH candidate substance (CAS No.)	No substance above 0.1 wt%
-------------------------------------	----------------------------

Phoenix Contact 2024 © - all rights reserved

<https://www.phoenixcontact.com>

Phoenix Contact USA
586 Fulling Mill Road
Middletown, PA 17057, United States
(+717) 944-1300
info@phoenixcon.com