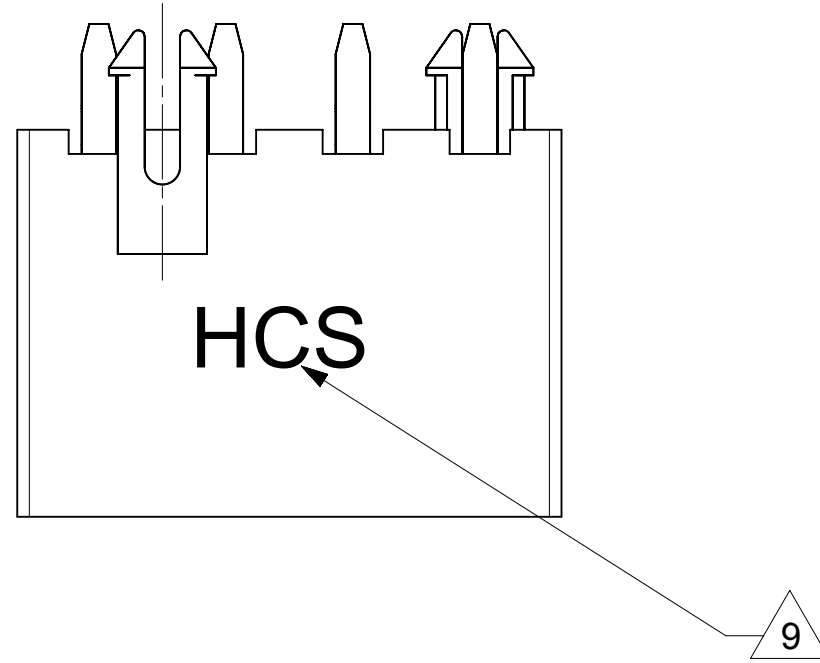
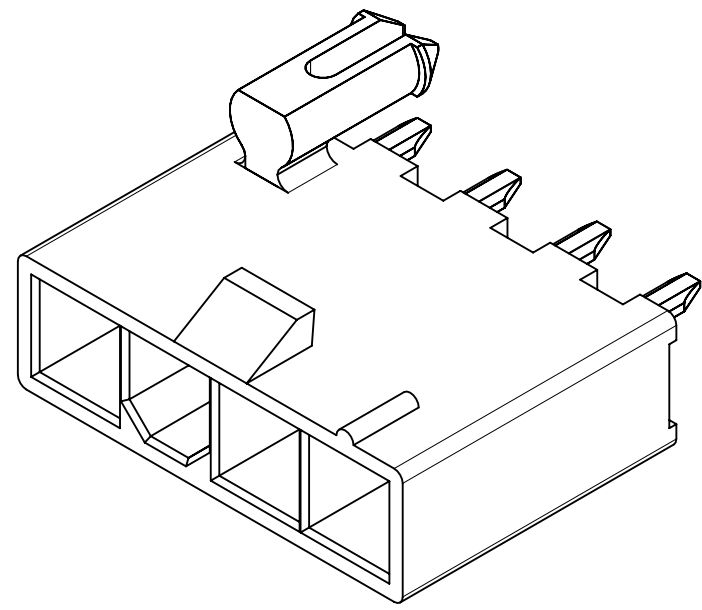
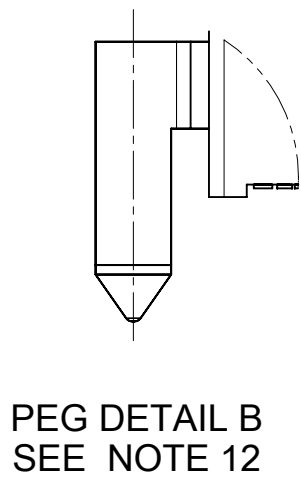


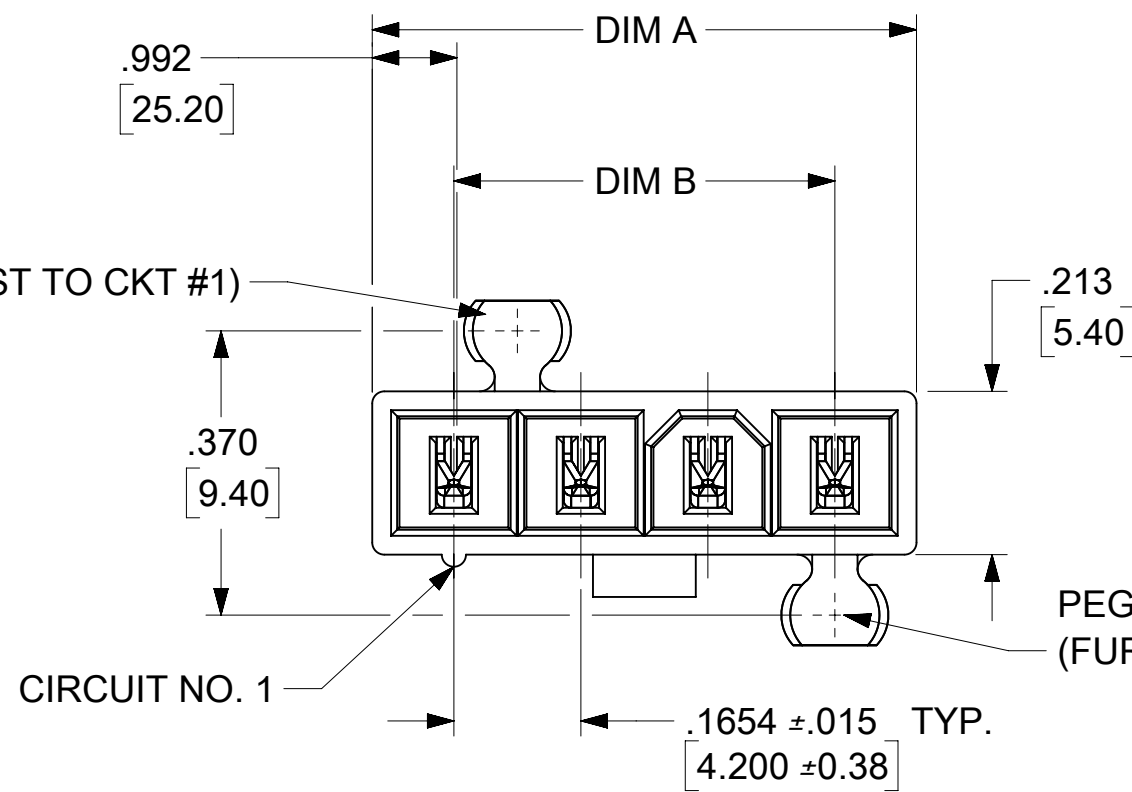
CKT SIZE	DIM "A"	DIM "B"
4	.709 [18.00]	.496 [12.60]
5	.874 [22.20]	.661 [16.80]
6	1.039 [26.40]	.827 [21.00]
7	1.205 [30.60]	.992 [25.20]
8	1.370 [34.80]	1.157 [29.40]
9	1.535 [39.00]	1.323 [33.60]
10	1.701 [43.20]	1.488 [37.80]
11	1.866 [47.40]	1.654 [42.00]
12	2.031 [51.60]	1.819 [46.20]



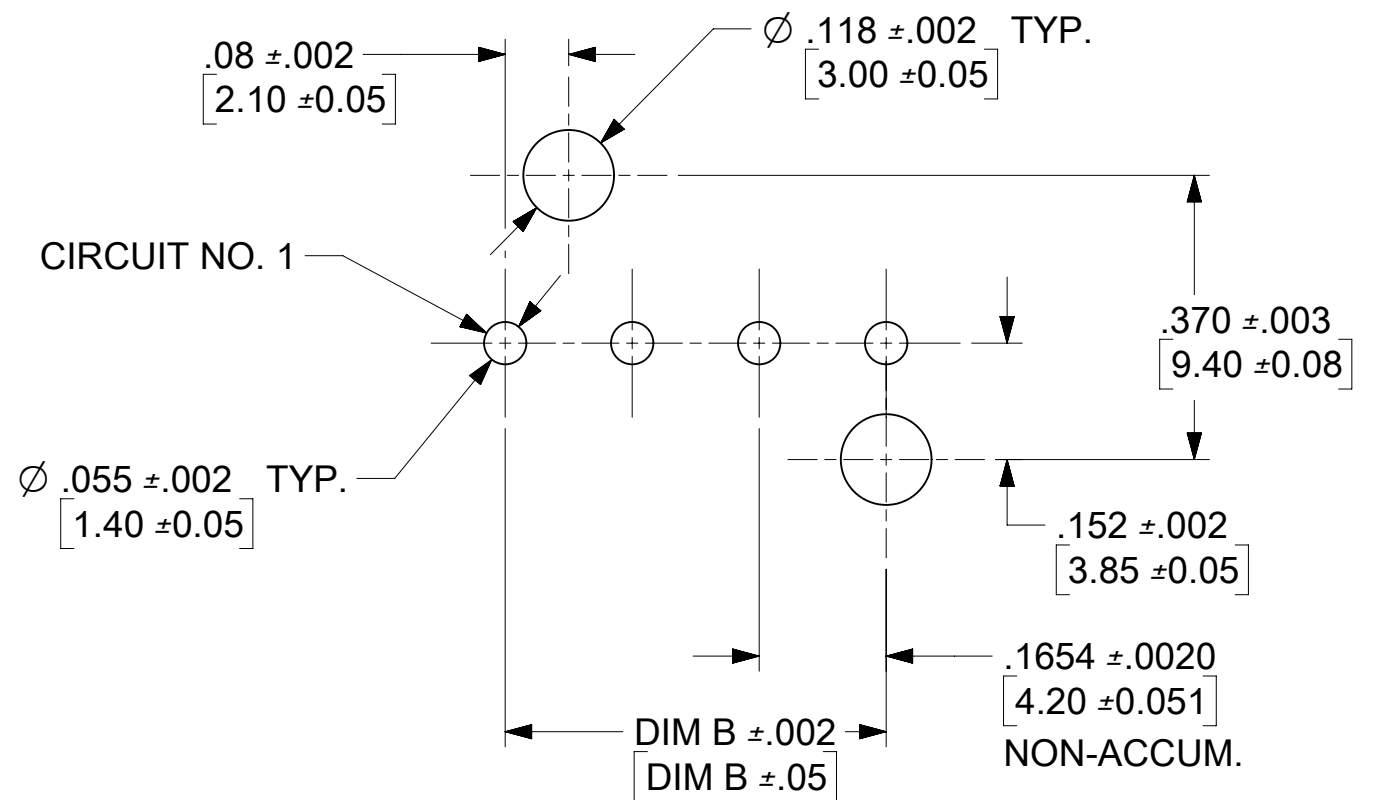
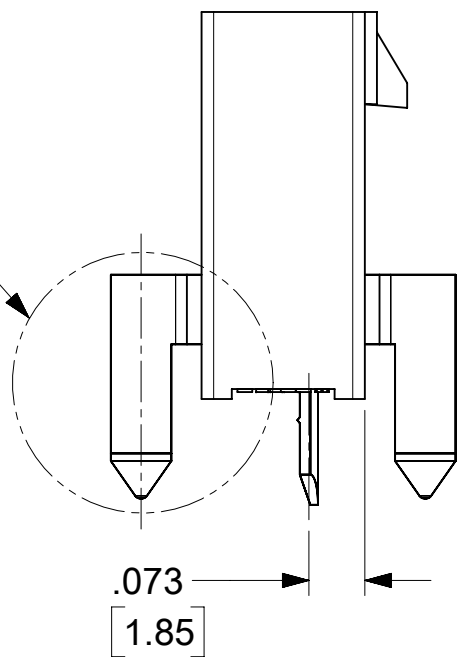
- NOTES:
- MATERIALS:
HOUSING:
"1"=NYLON 6/6, UL94 V-2, COLOR: NATURAL
"2"=NYLON 6/6, UL94 V-0, COLOR: NATURAL
"3"=NYLON 6/6, UL94 V-2, COLOR: BLACK
TERMINALS:
COPPER ALLOY
 - TERMINAL PLATING:
"1"=.000100/(0.00254) MIN. MATTE TIN OVER
.000050/(0.00127) MIN. NICKEL
"2"=.000030/(0.00076) MIN. SELECT GOLD AND
.000100/(0.00254) MIN. SELECT MATTE TIN
OVER .000050/(0.00127) MIN. NICKEL OVERALL
 - PRODUCT SPECIFICATION: PS-44476-001
 - PACKAGING: SEE CHARTS
 - PART MATES WITH MINI-FIT JR. RECEPTACLE NO. 5557.
 - PART IS NOT DESIGNED FOR CURRENT SHARING.
 - PARTS ARE NOT TO BE MATED OR UN-MATED WHILE CIRCUITS ARE LIVE.
 - 44472-2470 ONLY FOR WIDER LOCKING RAMP.
 - PARTS WILL HAVE "HCS" MARKING.
 - SEE CHART FOR PARTS WITH PEGS REMOVED.
 - PART CONFORMS TO CLASS "B" REQUIREMENTS OF COSMETIC SPECIFICATION PS-45499-002.
 - 5 CIRCUIT PARTS HAVE PEG DESIGN B. ALL OTHER CIRCUIT SIZES HAVE PEG DESIGN A.



10 PEG #1
(CLOSEST TO CKT #1)



PEG DESIGN B
SEE NOTE 12



RECOMMENDED HOLE LAYOUT FOR
.070/(1.78) MAX. THICK P.C. BOARD
VIEWED FROM COMPONENT SIDE

LEGEND:

44472 - ** **

CIRCUIT SIZE
(04-12 FOR SINGLE ROW)
(02-24 FOR DUAL ROW)

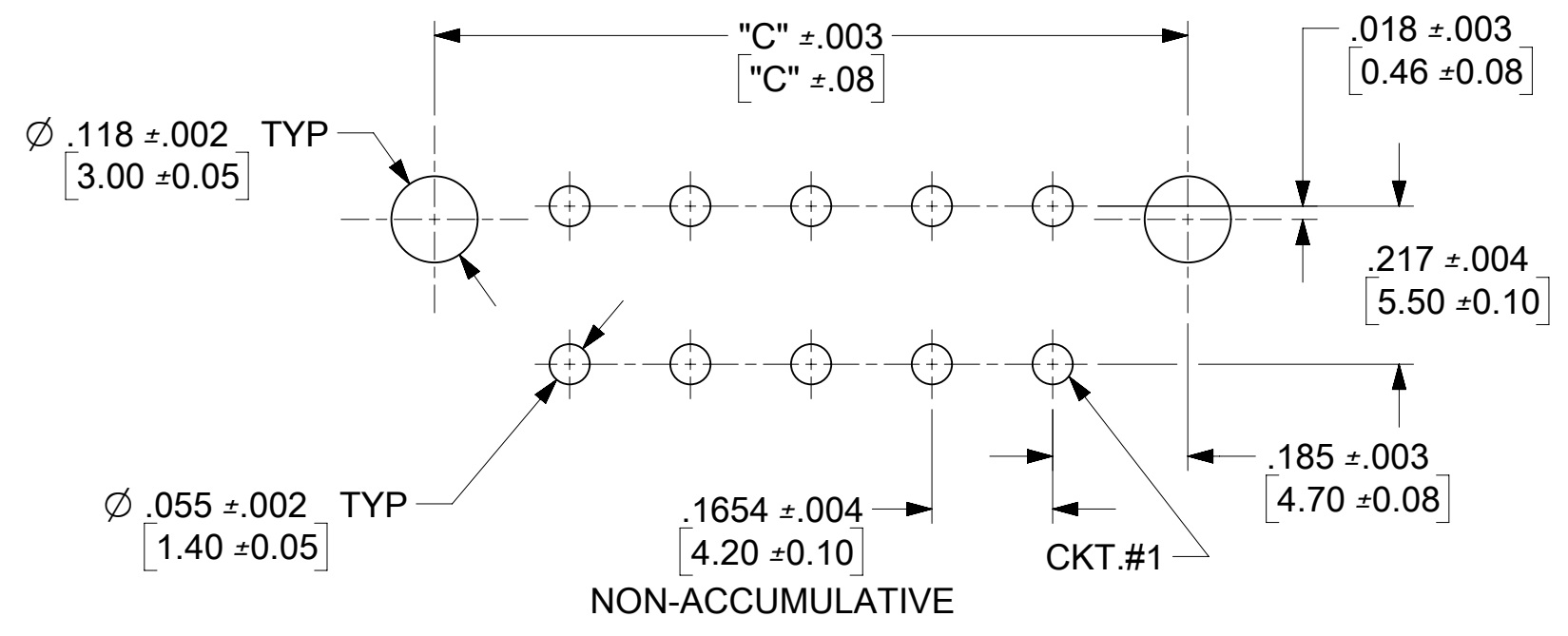
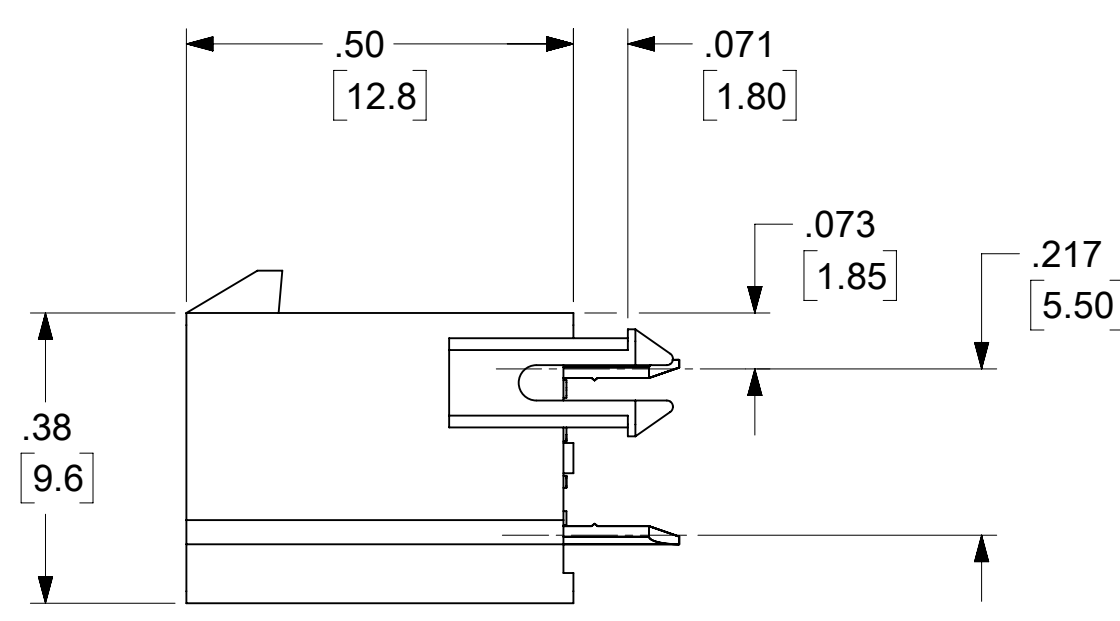
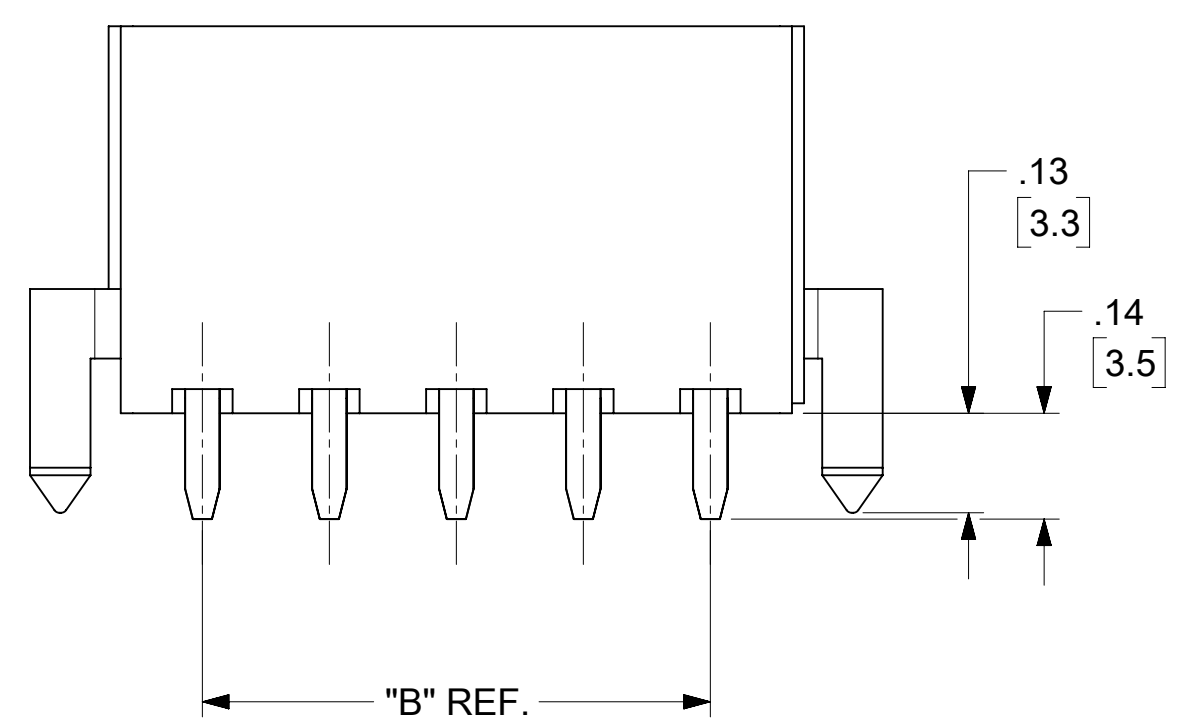
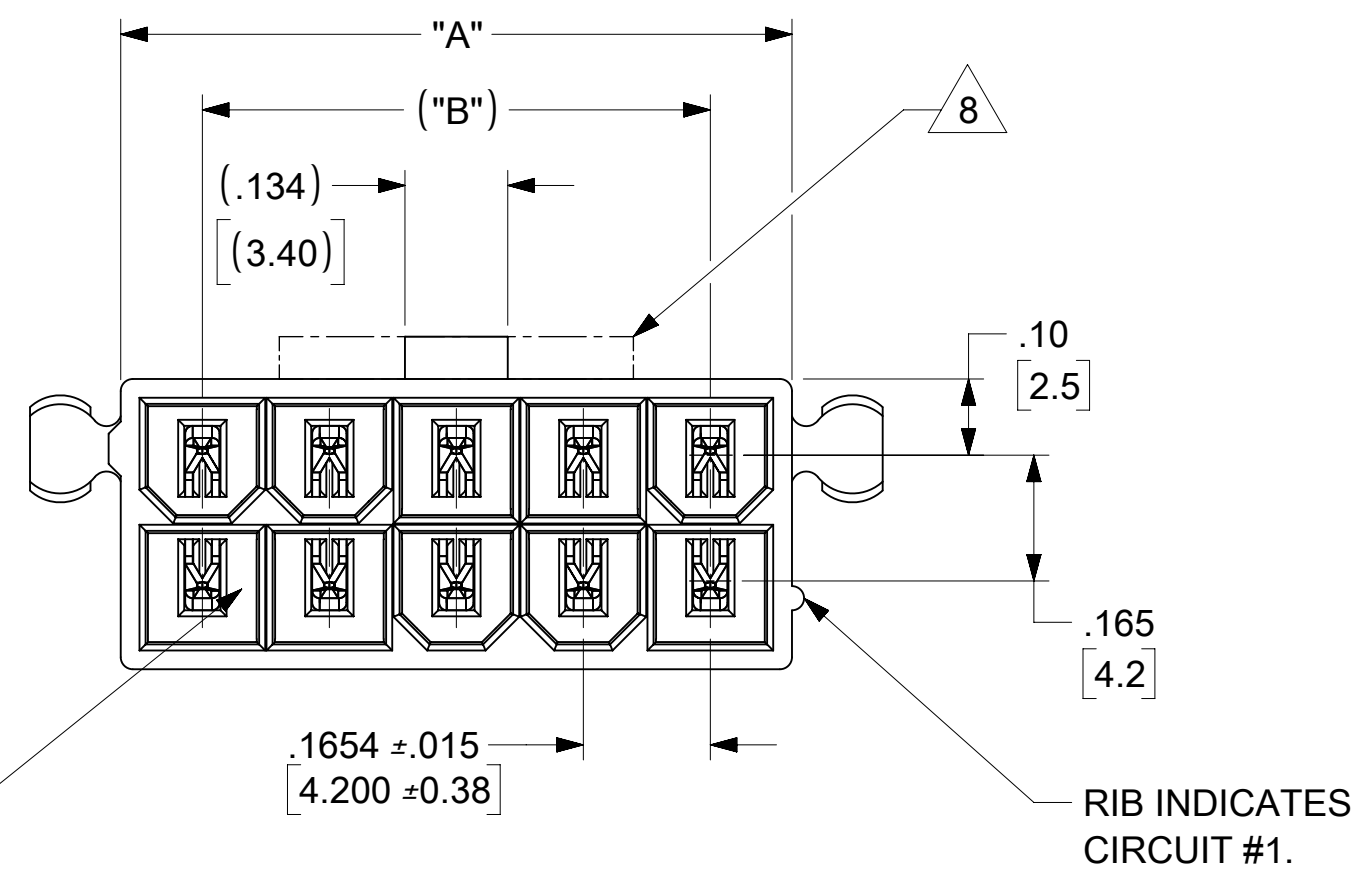
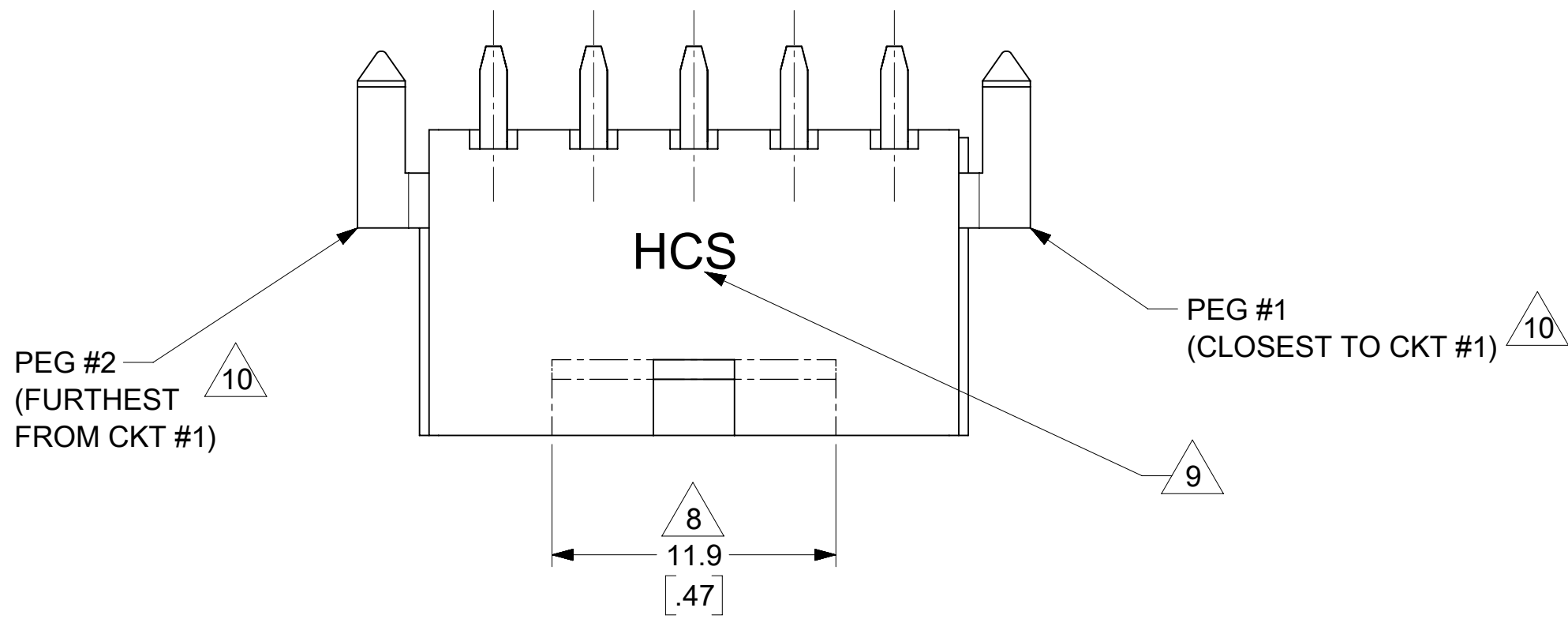
ASSEMBLY VERSION
(01 THRU 49 FOR SINGLE ROW)
(50 THRU 99 FOR DUAL ROW)

SEE SHT. 2 FOR DUAL ROW

* THE CHART FOR SINGLE ROW PRODUCT IS ON PAGE 6.

THIS DRAWING CONTAINS INFORMATION THAT IS PROPRIETARY TO MOLEX ELECTRONIC TECHNOLOGIES, LLC AND SHOULD NOT BE USED WITHOUT WRITTEN PERMISSION

DIMENSION UNITS	SCALE	CURRENT REV DESC:	molex		
INCH/MM	NTS		MINI-FIT VERT HDR ASSY W & W/O PEGS SINGLE AND DUAL ROW		
GENERAL TOLERANCES (UNLESS SPECIFIED)		EC NO: 784313	PRODUCT CUSTOMER DRAWING		
ANGULAR TOL	± 0.5°	DRWN: JERRYW8 2024/09/03	DOCUMENT NUMBER	DOC TYPE	DOC PART
4 PLACES	±	CHK'D: XQZHANG 2024/09/11	RSD-44472-XXXX	PSD	001
3 PLACES	±	APPR: XQZHANG 2024/09/11			M7
2 PLACES	± 0.4	INITIAL REVISION:	SHEET NUMBER		
1 PLACE	± 0.5	DRWN: NNGUYEN 2013/05/08	MATERIAL NUMBER	CUSTOMER	
0 PLACES	±	APPR: FSMITH 2013/06/03	SEE TABLE	GENERAL MARKET	1 OF 8
DRAFT WHERE APPLICABLE MUST REMAIN WITHIN DIMENSIONS		THIRD ANGLE PROJECTION	DRAWING	SERIES	
			C-SIZE	44472	



RECOMMENDED HOLE LAYOUT FOR .070/(1.78) MAX. THICK P.C. BOARD VIEWED FROM COMPONENT SIDE

CKT SIZE	DIM "A"	DIM "B"	DIM "C"
2	.21 [5.4]	---	.370 [9.40]
4	.38 [9.6]	.17 [4.2]	.535 [13.60]
6	.54 [13.8]	.33 [8.4]	.701 [17.80]
8	.71 [18.0]	.50 [12.6]	.866 [22.00]
10	.87 [22.2]	.66 [16.8]	1.031 [26.20]
12	1.04 [26.4]	.83 [21.0]	1.197 [30.40]
14	1.20 [30.6]	.99 [25.2]	1.362 [34.60]
16	1.37 [34.8]	1.16 [29.4]	1.528 [38.80]
18	1.54 [39.0]	1.32 [33.6]	1.693 [43.00]
20	1.70 [43.2]	1.49 [37.8]	1.858 [47.20]
22	1.87 [47.4]	1.65 [42.0]	2.024 [51.40]
24	2.03 [51.6]	1.82 [46.2]	2.189 [55.60]

SEE SHT. 1 FOR SINGLE ROW

THIS DRAWING CONTAINS INFORMATION THAT IS PROPRIETARY TO MOLEX ELECTRONIC TECHNOLOGIES, LLC AND SHOULD NOT BE USED WITHOUT WRITTEN PERMISSION


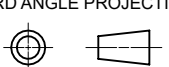
DIMENSION UNITS INCH/MM	SCALE NTS	CURRENT REV DESC:	molex		
GENERAL TOLERANCES (UNLESS SPECIFIED)	ANGULAR TOL \pm 0.5°	EC NO: 784313			
4 PLACES \pm	DRWN: JERRYW8	2024/09/03	PRODUCT CUSTOMER DRAWING		
3 PLACES \pm	CHK'D: XQZHANG	2024/09/11	DOCUMENT NUMBER		
2 PLACES \pm 0.4	APPR: XQZHANG	2024/09/11	RSD-44472-XXXX		
1 PLACE \pm 0.5	INITIAL REVISION:		DOC TYPE	DOC PART	REVISION
0 PLACES \pm	DRWN: NNGUYEN	2013/05/08	PSD	001	M7
DRAFT WHERE APPLICABLE MUST REMAIN WITHIN DIMENSIONS	THIRD ANGLE PROJECTION	APPR: FSMITH	MATERIAL NUMBER	CUSTOMER	SHEET NUMBER
			SEE TABLE	GENERAL MARKET	2 OF 8

DUAL ROW PART NUMBERS WITH MATTE TIN PLATING

WITH PEGS															
PLATING:	1 (SEE NOTE 2)			PLATING:	1 (SEE NOTE 2)			PLATING:	1 (SEE NOTE 2)			PLATING:	1 (SEE NOTE 2)		
DRAINS:	WITHOUT DRAIN HOLES			DRAINS:	WITHOUT DRAIN HOLES			DRAINS:	WITHOUT DRAIN HOLES			DRAINS:	WITHOUT DRAIN HOLES		
PEGS:	WITH PEGS			PEGS:	WITH PEGS			PEGS:	WITH PEGS			PEGS:	WITH PEGS		
MAT'L:	94V-2 [NATURAL]			MAT'L:	94V-0 [NATURAL]			MAT'L:	94V-2 [NATURAL]			MAT'L:	94V-0 [NATURAL]		
PACKAGING:	PK-5566-001			PACKAGING:	PK-5566-001			PACKAGING:	PK-5566-001			PACKAGING:	PK-5566-001		
	ITEM NO.		CKTS		ITEM NO.		CKTS		ITEM NO.		CKTS		ITEM NO.		CKTS
	44472-0250		2		44472-0251		2				2				2
	44472-0450		4		44472-0451		4		44472-0452		4		44472-0453		4
	44472-0650		6		44472-0651		6		44472-0652		6		44472-0653		6
	44472-0850		8		44472-0851		8		44472-0852		8		44472-0853		8
	44472-1050		10		44472-1051		10		44472-1052		10		44472-1053		10
	44472-1250		12		44472-1251		12		44472-1252		12		44472-1253		12
	44472-1450		14		44472-1451		14		44472-1452		14		44472-1453		14
	44472-1650		16		44472-1651		16		44472-1652		16		44472-1653		16
	44472-1850		18		44472-1851		18		44472-1852		18		44472-1853		18
	44472-2050		20		44472-2051		20		44472-2052		20		44472-2053		20
	44472-2250		22		44472-2251		22		44472-2252		22		44472-2253		22
	44472-2450		24		44472-2451		24		44472-2452		24		44472-2453		24

WITHOUT PEGS															
PLATING:	1 (SEE NOTE 2)			PLATING:	1 (SEE NOTE 2)			PLATING:	1 (SEE NOTE 2)			PLATING:	1 (SEE NOTE 2)		
DRAINS:	WITHOUT DRAIN HOLES			DRAINS:	WITHOUT DRAIN HOLES			DRAINS:	WITHOUT DRAIN HOLES			DRAINS:	WITHOUT DRAIN HOLES		
PEGS:	WITHOUT PEGS			PEGS:	WITHOUT PEGS			PEGS:	WITHOUT PEGS			PEGS:	WITHOUT PEGS		
MAT'L:	94V-2 [NATURAL]			MAT'L:	94V-0 [NATURAL]			MAT'L:	94V-2 [NATURAL]			MAT'L:	94V-0 [NATURAL]		
PACKAGING:	PK-5566-001			PACKAGING:	PK-5566-001			PACKAGING:	PK-5566-001			PACKAGING:	PK-5566-001		
	ITEM NO.	HOUSING NO.	CKTS		ITEM NO.		CKTS		ITEM NO.		CKTS		ITEM NO.		CKTS
	44472-0254		2		44472-0255		2		44472-0256		2		44472-0257		2
	44472-0454		4		44472-0455		4		44472-0456		4		44472-0457		4
	44472-0654		6		44472-0655		6		44472-0656		6		44472-0657		6
	44472-0854		8		44472-0855		8		44472-0856		8		44472-0857		8
	44472-1054		10		44472-1055		10		44472-1056		10		44472-1057		10
	44472-1254		12		44472-1255		12		44472-1256		12		44472-1257		12
	44472-1454		14		44472-1455		14		44472-1456		14		44472-1457		14
	44472-1654		16		44472-1655		16		44472-1656		16		44472-1657		16
	44472-1854		18		44472-1855		18		44472-1856		18		44472-1857		18
	44472-2054		20		44472-2055		20		44472-2056		20		44472-2057		20
	44472-2254		22		44472-2255		22		44472-2256		22		44472-2257		22
	44472-2454		24		44472-2455		24		44472-2456		24		44472-2457		24

-ITEMS PRECEDED BY AN "X" ARE NOT AVAILABLE.


THIS DRAWING CONTAINS INFORMATION THAT IS PROPRIETARY TO MOLEX ELECTRONIC TECHNOLOGIES, LLC AND SHOULD NOT BE USED WITHOUT WRITTEN PERMISSION																	
DIMENSION UNITS	SCALE	CURRENT REV DESC:								MINI-FIT VERT HDR ASSY W & W/O PEGS SINGLE AND DUAL ROW							
INCH/MM	NTS																
GENERAL TOLERANCES (UNLESS SPECIFIED)		EC NO: 784313		DRWN: JERRYW8		2024/09/03		PRODUCT CUSTOMER DRAWING		DOCUMENT NUMBER RSD-44472-XXXX		DOC TYPE PSD		DOC PART 001		REVISION M7	
ANGULAR TOL ± 0.5°		4 PLACES ±		3 PLACES ±		2 PLACES ± 0.4											
1 PLACE ± 0.5		0 PLACES ±		INITIAL REVISION:		DRWN: NNGUYEN		2013/05/08		MATERIAL NUMBER		CUSTOMER		SHEET NUMBER			
DRAFT WHERE APPLICABLE MUST REMAIN WITHIN DIMENSIONS		THIRD ANGLE PROJECTION		DRAWING		SERIES		SEE TABLE		GENERAL MARKET		3 OF 8					
				C-SIZE		44472											

DUAL ROW PART NUMBERS WITH SELECT GOLD PLATING

WITH PEGS						
PLATING:	2 (SEE NOTE 2)		PLATING:	2 (SEE NOTE 2)		
DRAINS:	WITHOUT DRAIN HOLES		DRAINS:	WITHOUT DRAIN HOLES		
PEGS:	WITH PEGS		PEGS:	WITH PEGS		
MAT'L:	94V-2 [NATURAL]		MAT'L:	94V-0 [NATURAL]		
PACKAGING:	PK-5566-001		PACKAGING:	PK-5566-001		
	ITEM NO.		CKTS		ITEM NO.	CKTS
X	44472-0260		2	X	44472-0261	2
X	44472-0460		4	X	44472-0461	4
X	44472-0660		6	X	44472-0661	6
X	44472-0860		8	X	44472-0861	8
X	44472-1060		10	X	44472-1061	10
X	44472-1260		12	X	44472-1261	12
X	44472-1460		14	X	44472-1461	14
X	44472-1660		16	X	44472-1661	16
X	44472-1860		18	X	44472-1861	18
X	44472-2060		20	X	44472-2061	20
X	44472-2260		22	X	44472-2261	22
X	44472-2460		24		44472-2461	24

WITHOUT PEGS						
PLATING:	2 (SEE NOTE 2)		PLATING:	2 (SEE NOTE 2)		
DRAINS:	WITHOUT DRAIN HOLES		DRAINS:	WITHOUT DRAIN HOLES		
PEGS:	WITHOUT PEGS		PEGS:	WITHOUT PEGS		
MAT'L:	94V-2 [NATURAL]		MAT'L:	94V-0 [NATURAL]		
PACKAGING:	PK-5566-001		PACKAGING:	PK-5566-001		
	ITEM NO.		CKTS		ITEM NO.	CKTS
X	44472-0264		2	X	44472-0265	2
X	44472-0464		4	X	44472-0465	4
X	44472-0664		6	X	44472-0665	6
X	44472-0864		8	X	44472-0865	8
X	44472-1064		10	X	44472-1065	10
X	44472-1264		12	X	44472-1265	12
X	44472-1464		14	X	44472-1465	14
X	44472-1664		16	X	44472-1665	16
X	44472-1864		18	X	44472-1865	18
X	44472-2064		20	X	44472-2065	20
X	44472-2264		22		44472-2265	22
X	44472-2464		24	X	44472-2465	24

-ITEMS PRECEDED BY AN "X" ARE NOT AVAILABLE.

THIS DRAWING CONTAINS INFORMATION THAT IS PROPRIETARY TO MOLEX ELECTRONIC TECHNOLOGIES, LLC AND SHOULD NOT BE USED WITHOUT WRITTEN PERMISSION									
DIMENSION UNITS	SCALE	CURRENT REV DESC:							
INCH/MM	NTS								
GENERAL TOLERANCES (UNLESS SPECIFIED)		EC NO: 784313			MINI-FIT VERT HDR ASSY W & W/O PEGS SINGLE AND DUAL ROW				
ANGULAR TOL ± 0.5°		DRWN: JERRYW8 2024/09/03							
4 PLACES ±		CHK'D: XQZHANG 2024/09/11			PRODUCT CUSTOMER DRAWING				
3 PLACES ±		APPR: XQZHANG 2024/09/11							
2 PLACES ± 0.4		INITIAL REVISION:			DOCUMENT NUMBER RSD-44472-XXXX				
1 PLACE ± 0.5		DRWN: NNGUYEN 2013/05/08							
0 PLACES ±		APPR: FSMITH 2013/06/03			DOC TYPE DOC PART REVISION PSD 001 M7				
DRAFT WHERE APPLICABLE MUST REMAIN WITHIN DIMENSIONS		THIRD ANGLE PROJECTION							
		DRAWING SERIES C-SIZE 44472							

DUAL ROW PART NUMBERS WITH WIDE LATCH OPTION

WITH PEGS			
PLATING:	1 (SEE NOTE 2)		
DRAINS:	WITHOUT DRAIN HOLES		
PEGS:	WITH PEGS		
MAT'L:	94V-2 [NATURAL]		
PACKAGING:	PK-5566-001		
	ITEM NO.		CKTS
			2
X	44472-0470		4
X	44472-0670		6
X	44472-0870		8
X	44472-1070		10
X	44472-1270		12
X	44472-1470		14
X	44472-1670		16
X	44472-1870		18
X	44472-2070		20
X	44472-2270		22
	44472-2470	△ 8	24

-ITEMS PRECEDED BY AN "X" ARE NOT AVAILABLE.

THIS DRAWING CONTAINS INFORMATION THAT IS PROPRIETARY TO MOLEX ELECTRONIC TECHNOLOGIES, LLC AND SHOULD NOT BE USED WITHOUT WRITTEN PERMISSION										
DIMENSION UNITS	SCALE	CURRENT REV DESC:				molex				
INCH/MM	NTS									
GENERAL TOLERANCES (UNLESS SPECIFIED)						MINI-FIT VERT HDR ASSY W & W/O PEGS SINGLE AND DUAL ROW				
ANGULAR TOL	± 0.5°									
4 PLACES	±	EC NO: 784313		2024/09/03		PRODUCT CUSTOMER DRAWING				
3 PLACES	±	DRWN: JERRYW8		2024/09/11						
2 PLACES	± 0.4	CHK'D: XQZHANG		2024/09/11		DOCUMENT NUMBER				
1 PLACE	± 0.5	APPR: XQZHANG		2024/09/11						RSD-44472-XXXX
0 PLACES	±	INITIAL REVISION:		2013/05/08		PSD		001	M7	
DRAFT WHERE APPLICABLE MUST REMAIN WITHIN DIMENSIONS		THIRD ANGLE PROJECTION		DRAWING	SERIES	MATERIAL NUMBER	CUSTOMER	SHEET NUMBER		
				C-SIZE	44472	SEE TABLE	GENERAL MARKET	5 OF 8		

SINGLE ROW PART NUMBERS WITH PEGS

MATTE TIN PLATING															
PLATING:				PLATING:				PLATING:				PLATING:			
DRAINS:				DRAINS:				DRAINS:				DRAINS:			
PEGS:				PEGS:				PEGS:				PEGS:			
MAT'L:				MAT'L:				MAT'L:				MAT'L:			
PACKAGING:				PACKAGING:				PACKAGING:				PACKAGING:			
ITEM NO.		CKTS		ITEM NO.		CKTS		ITEM NO.		CKTS		ITEM NO.		CKTS	
								44472-0403		4	X	44472-0404		4	
							X	44472-0503		5		44472-0504		5	
							X	44472-0603		6	X	44472-0604		6	
							X	44472-0703		7	X	44472-0704		7	
							X	44472-0803		8	X	44472-0804		8	
							X	44472-0903		9	X	44472-0904		9	
							X	44472-1003		10	X	44472-1004		10	
							X	44472-1103		11	X	44472-1104		11	
							X	44472-1203		12	X	44472-1204		12	

GOLD PLATING															
PLATING:				PLATING:				PLATING:				PLATING:			
DRAINS:				DRAINS:				DRAINS:				DRAINS:			
PEGS:				PEGS:				PEGS:				PEGS:			
MAT'L:				MAT'L:				MAT'L:				MAT'L:			
PACKAGING:				PACKAGING:				PACKAGING:				PACKAGING:			
ITEM NO.		CKTS		ITEM NO.		CKTS		ITEM NO.		CKTS		ITEM NO.		CKTS	
							X	44472-0407		4	X	44472-0408		4	
							X	44472-0507		5	X	44472-0508		5	
							X	44472-0607		6	X	44472-0608		6	
							X	44472-0707		7	X	44472-0708		7	
							X	44472-0807		8	X	44472-0808		8	
							X	44472-0907		9	X	44472-0908		9	
							X	44472-1007		10	X	44472-1008		10	
							X	44472-1107		11	X	44472-1108		11	
							X	44472-1207		12	X	44472-1208		12	

-ITEMS PRECEDED BY AN "X" ARE NOT AVAILABLE.


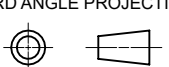
THIS DRAWING CONTAINS INFORMATION THAT IS PROPRIETARY TO MOLEX ELECTRONIC TECHNOLOGIES, LLC AND SHOULD NOT BE USED WITHOUT WRITTEN PERMISSION															
DIMENSION UNITS		SCALE		CURRENT REV DESC:											
INCH/MM		NTS													
GENERAL TOLERANCES (UNLESS SPECIFIED)				EC NO: 784313											
ANGULAR TOL ± 0.5°				DRWN: JERRYW8 2024/09/03											
4 PLACES ±				CHK'D: XQZHANG 2024/09/11											
3 PLACES ±				APPR: XQZHANG 2024/09/11											
2 PLACES ± 0.4				INITIAL REVISION:											
1 PLACE ± 0.5				DRWN: NNGUYEN 2013/05/08											
0 PLACES ±				APPR: FSMITH 2013/06/03											
DRAFT WHERE APPLICABLE MUST REMAIN WITHIN DIMENSIONS				THIRD ANGLE PROJECTION		DRAWING		SERIES		MATERIAL NUMBER		CUSTOMER		SHEET NUMBER	
						C-SIZE		44472		SEE TABLE		GENERAL MARKET		6 OF 8	
MINI-FIT VERT HDR ASSY W & W/O PEGS SINGLE AND DUAL ROW															
PRODUCT CUSTOMER DRAWING															
DOCUMENT NUMBER										DOC TYPE		DOC PART		REVISION	
RSD-44472-XXXX										PSD		001		M7	

DUAL ROW PART NUMBERS 1 PEG REMOVED

PLATING:		1 (SEE NOTE 2)		PLATING:		1 (SEE NOTE 2)		PLATING:				PLATING:			
DRAINS:		WITHOUT DRAIN HOLES		DRAINS:		WITHOUT DRAIN HOLES		DRAINS:				DRAINS:			
PEGS:		PEG #1 REMOVED		PEGS:		PEG #1 REMOVED		PEGS:		PEG #1 REMOVED		PEGS:		PEG #1 REMOVED	
MAT'L:		94V-2 [NATURAL]		MAT'L:		94V-2 [NATURAL]		MAT'L:				MAT'L:			
PACKAGING:		PK-5566-001		PACKAGING:		PK-5566-001		PACKAGING:				PACKAGING:			
	ITEM NO.		CKTS		ITEM NO.		CKTS		ITEM NO.		CKTS		ITEM NO.		CKTS
X	44472-0273		2	X	44472-0274		2				2				2
X	44472-0473		4	X	44472-0474		4				4				4
X	44472-0673		6	X	44472-0674		6				6				6
X	44472-0873		8	X	44472-0874		8				8				8
X	44472-1073		10	X	44472-1074		10				10				10
X	44472-1273		12	X	44472-1274		12				12				12
X	44472-1473		14	X	44472-1474		14				14				14
X	44472-1673		16	X	44472-1674		16				16				16
X	44472-1873		18	X	44472-1874		18				18				18
	44472-2073		20		44472-2074		20				20				20
X	44472-2273		22	X	44472-2274		22				22				22
X	44472-2473		24	X	44472-2474		24				24				24

PLATING:		1 (SEE NOTE 2)		PLATING:		1 (SEE NOTE 2)		PLATING:				PLATING:			
DRAINS:		WITHOUT DRAIN HOLES		DRAINS:		WITHOUT DRAIN HOLES		DRAINS:				DRAINS:			
PEGS:		PEG #2 REMOVED		PEGS:		PEG #2 REMOVED		PEGS:		PEG #2 REMOVED		PEGS:		PEG #2 REMOVED	
MAT'L:		94V-2 [NATURAL]		MAT'L:		94V-2 [NATURAL]		MAT'L:				MAT'L:			
PACKAGING:		PK-5566-001		PACKAGING:		PK-5566-001		PACKAGING:				PACKAGING:			
	ITEM NO.		CKTS		ITEM NO.		CKTS		ITEM NO.		CKTS		ITEM NO.		CKTS
X	44472-0277		2	X	44472-0278		2				2				2
X	44472-0477		4	X	44472-0478		4				4				4
X	44472-0677		6	X	44472-0678		6				6				6
X	44472-0877		8	X	44472-0878		8				8				8
X	44472-1077		10	X	44472-1078		10				10				10
X	44472-1277		12	X	44472-1278		12				12				12
X	44472-1477		14	X	44472-1478		14				14				14
X	44472-1677		16	X	44472-1678		16				16				16
X	44472-1877		18	X	44472-1878		18				18				18
	44472-2077		20		44472-2078		20				20				20
X	44472-2277		22	X	44472-2278		22				22				22
X	44472-2477		24	X	44472-2478		24				24				24

-ITEMS PRECEDED BY AN "X" ARE NOT AVAILABLE.

THIS DRAWING CONTAINS INFORMATION THAT IS PROPRIETARY TO MOLEX ELECTRONIC TECHNOLOGIES, LLC AND SHOULD NOT BE USED WITHOUT WRITTEN PERMISSION											
DIMENSION UNITS		SCALE		CURRENT REV DESC:							
INCH/MM		NTS									
GENERAL TOLERANCES (UNLESS SPECIFIED)				EC NO: 784313		2024/09/03		MINI-FIT VERT HDR ASSY W & W/O PEGS SINGLE AND DUAL ROW			
ANGULAR TOL ± 0.5°				DRWN: JERRYW8		2024/09/11					
4 PLACES ±				CHK'D: XQZHANG		2024/09/11		PRODUCT CUSTOMER DRAWING			
3 PLACES ±				APPR: XQZHANG		2024/09/11					
2 PLACES ± 0.4				INITIAL REVISION:				DOCUMENT NUMBER		DOC TYPE DOC PART REVISION	
1 PLACE ± 0.5				DRWN: NNGUYEN		2013/05/08		RSD-44472-XXXX		PSD 001 M7	
0 PLACES ±				APPR: FSMITH		2013/06/03		MATERIAL NUMBER		CUSTOMER	
DRAFT WHERE APPLICABLE MUST REMAIN WITHIN DIMENSIONS				THIRD ANGLE PROJECTION		DRAWING		SERIES		SHEET NUMBER	
						C-SIZE		44472		7 OF 8	

DUAL ROW PART NUMBERS WITH MATTE TIN PLATING
(DO NOT USE FOR NEW APPLICATION)

WITH PEGS			
PLATING:	1 (SEE NOTE 2)		
DRAINS:	WITHOUT DRAIN HOLES		
PEGS:	WITH PEGS		
MAT'L:	94V-0 [NATURAL]		
PACKAGING:			
	ITEM NO.		CKTS
	44472-0283	O	2
	44472-0483	O	4
	44472-0683	O	6
	44472-0883	O	8
	44472-1083	O	10
	44472-1283	O	12
	44472-1483	O	14
	44472-1683	O	16
	44472-1883	O	18
	44472-2083		20
	44472-2283		22
	44472-2483	O	24

"O" OBSOLETE

THIS DRAWING CONTAINS INFORMATION THAT IS PROPRIETARY TO MOLEX ELECTRONIC TECHNOLOGIES, LLC AND SHOULD NOT BE USED WITHOUT WRITTEN PERMISSION										
DIMENSION UNITS	SCALE	CURRENT REV DESC:				molex				
INCH/MM	NTS									
GENERAL TOLERANCES (UNLESS SPECIFIED)						MINI-FIT VERT HDR ASSY W & W/O PEGS SINGLE AND DUAL ROW				
ANGULAR TOL	± 0.5°	EC NO: 784313				PRODUCT CUSTOMER DRAWING				
4 PLACES	±	DRWN: JERRYW8		2024/09/03						
3 PLACES	±	CHK'D: XQZHANG		2024/09/11						
2 PLACES	± 0.4	APPR: XQZHANG		2024/09/11						
1 PLACE	± 0.5	INITIAL REVISION:				DOCUMENT NUMBER				
0 PLACES	±	DRWN: NNGUYEN		2013/05/08		RSD-44472-XXXX		DOC TYPE	DOC PART	REVISION
		APPR: FSMITH		2013/06/03		PSD	001	M7		
DRAFT WHERE APPLICABLE MUST REMAIN WITHIN DIMENSIONS		THIRD ANGLE PROJECTION	DRAWING	SERIES	MATERIAL NUMBER	CUSTOMER	SHEET NUMBER			
			C-SIZE	44472	SEE TABLE	GENERAL MARKET	8 OF 8			

DOCUMENT STATUS	P1	RELEASE DATE	2024/09/11	06:39:21
-----------------	----	--------------	------------	----------