



COAXIAL

Termination, SMA-M

ANNE-50+

Mini-Circuits

50Ω DC to 18000 MHz

THE BIG DEAL

- Wideband coverage, DC to 18000 MHz
- Return loss, 35 dB typ. up to 4000 MHz and 27 dB typ. 10000 to 18000 MHz
- Rugged construction



Generic photo used for illustration purposes only

Model No.	ANNE-50+
Case Style	LL561
Connectors	SMA-Male

APPLICATIONS

- Cellular communications
- Satellite communications
- Test set-up
- Defense & radar

+RoHS Compliant

The +Suffix identifies RoHS Compliance. See our web site for RoHS Compliance methodologies and qualifications

ELECTRICAL SPECIFICATIONS AT 25°C

Parameter	Frequency (GHz)	Min.	Typ.	Max.	Units
Frequency Range		DC		18	GHz
Impedance			50		Ohms
Return Loss	DC - 4	30	—	—	dB
	4 - 8	27	—	—	
	8 - 12	23	—	—	
	12 - 18	21	—	—	
Power Rating*	DC - 18	—	—	1	W

*At 50°C, derate linearly to 350mW at 100°C.

MAXIMUM RATINGS

Parameter	Ratings
Operating temperature	-55°C to 100°C
Storage temperature	-55°C to 100°C

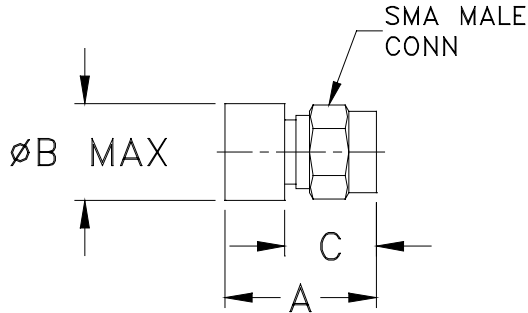
Permanent damage may occur if any of these limits are exceeded.





Termination, SMA

OUTLINE DRAWING



OUTLINE DIMENSIONS (Inch mm)

A	B	C	wt
0.58	0.37	0.35	grams
14.73	9.40	8.89	4.0

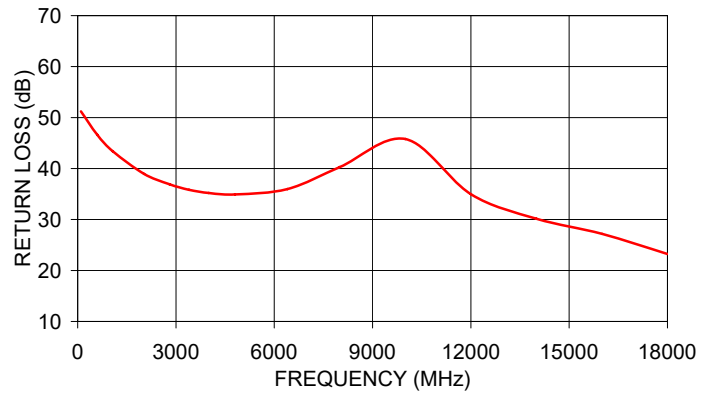


To order ANNE-50+ with 3½ length chain and end coupling with .130" diameter mtg. hole, use part no. [ANNE-50CN+](#)

TYPICAL PERFORMANCE DATA

Frequency (MHz)	Return Loss (dB)
596	46.64
1072	43.38
2024	38.95
2800	36.93
3400	35.82
4000	35.20
4800	34.92
6400	35.97
8000	40.29
10000	45.79
12000	34.97
14000	30.16
16000	27.19
18000	23.24

ANNE-50+ RETURN LOSS



NOTES

- A. Performance and quality attributes and conditions not expressly stated in this specification document are intended to be excluded and do not form a part of this specification document.
- B. Electrical specifications and performance data contained in this specification document are based on Mini-Circuit's applicable established test performance criteria and measurement instructions.
- C. The parts covered by this specification document are subject to Mini-Circuits standard limited warranty and terms and conditions (collectively, "Standard Terms"); Purchasers of this part are entitled to the rights and benefits contained therein. For a full statement of the standard. Terms and the exclusive rights and remedies thereunder, please visit Mini-Circuits' website at www.minicircuits.com/MCLStore/terms.jsp

Typical Performance Data

FREQUENCY (MHz)	RETURN LOSS (dB)
100	51.21
596	46.64
1072	43.38
2024	38.95
2800	36.93
3400	35.82
4000	35.20
4800	34.92
6400	35.97
8000	40.29
10000	45.79
12000	34.97
14000	30.16
16000	27.19
18000	23.24

Typical Performance Curves

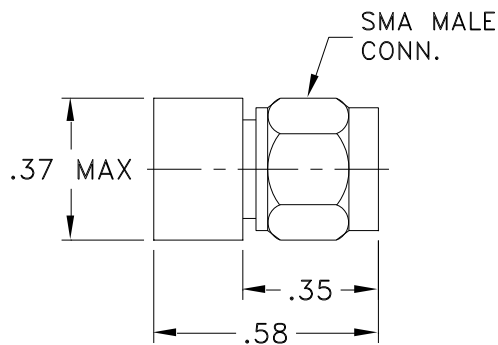


Case Style

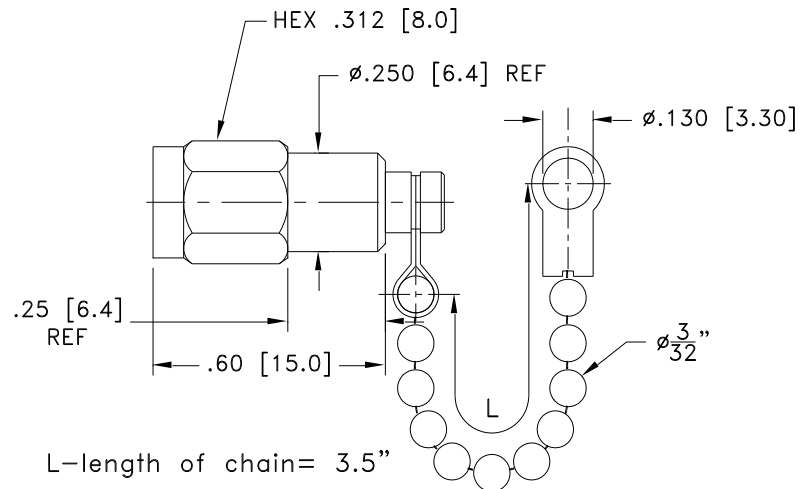
LL

Outline Dimensions

LL561



WITHOUT CHAIN



WITH CHAIN

CASE #	WT GRAMS
LL561	4.0
LL561 WITH CHAIN	5.00

Dimensions are in inches (mm). Tolerances: 2Pl. $\pm .03$; 3Pl. $\pm .015$

Notes:

1. Case Material: Brass.
2. Case Finish: Gold plate.
3. For polarity of connector refer individual model data sheet.

Mini-Circuits®
ISO 9001 ISO 14001 CERTIFIED

ALL NEW
minicircuits.com

P.O. Box 350166, Brooklyn, New York 11235-0003 (718) 934-4500 Fax (718) 332-4661 For detailed performance specs & shopping online see Mini-Circuits web site



The Design Engineers Search Engine Provides ACTUAL Data Instantly From MINI-CIRCUITS At: www.minicircuits.com

RF/IF MICROWAVE COMPONENTS



All Mini-Circuits products are manufactured under exacting quality assurance and control standards, and are capable of meeting published specifications after being subjected to any or all of the following physical and environmental test.

Specification	Test/Inspection Condition	Reference/Spec
Operating Temperature	-55° to 100°C Ambient Environment	Individual Model Data Sheet
Storage Temperature	-55° to 100° C Ambient Environment	Individual Model Data Sheet
Barometric Pressure	100,000 Feet	MIL-STD-202, Method 105, Condition D
Humidity	90% RH, 65°C Units may require bake-out after humidity to restore full performance.	MIL-STD-202, Method 103
Thermal Shock	-65° to 125°C, 5 cycles	MIL-STD-202, Method 107, Condition B
Vibration (High Frequency)	20g peak, 10-2000 Hz, 12 times in each of three perpendicular directions (total 36)	MIL-STD-202, Method 204, Condition D
Mechanical Shock	100g, 6ms sawtooth, 3 shocks each direction 3 axes (total 18)	MIL-STD-202, Method 213, Condition I