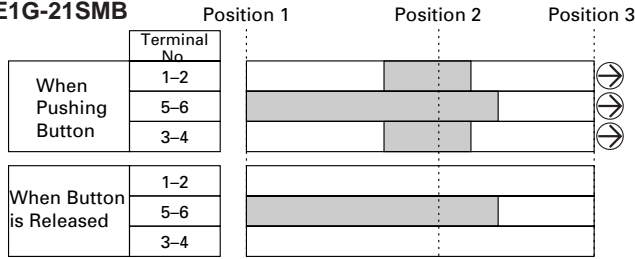


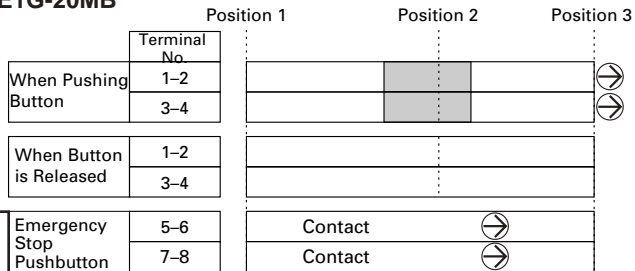
Operation Characteristics

Contact Movement

HE1G-21SM/HE1G-21SMB



HE1G-20ME/HE1G-20MB



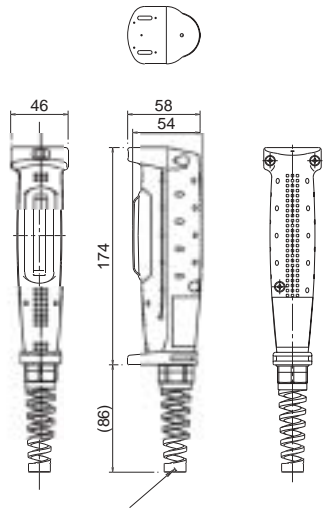
■ : Contact ON (Close) □ : Contact OFF (Open)



1. Terminals No. 1-2, 3-4, 5-6 will become positive action when moving from position 2 to 3.
2. Use terminal contacts 1-2 and 3-4 for safest circuit.

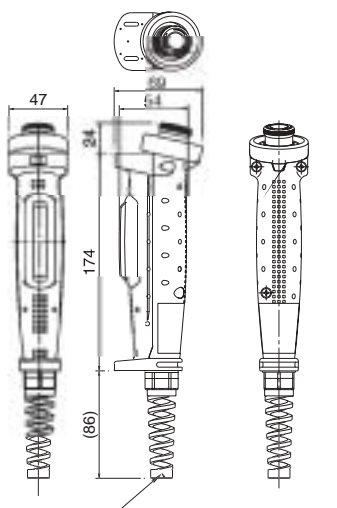
Dimensions

HE1G-21SM



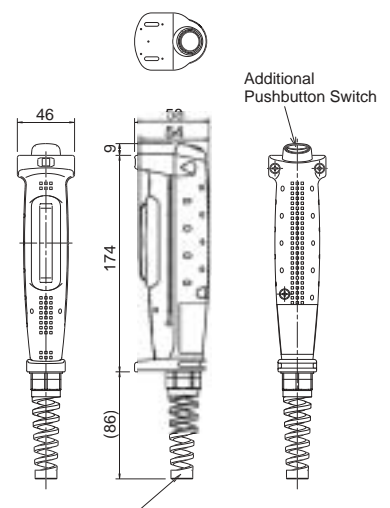
Connector (supplied with grip switch)
Type No. SKINTOP BS-M20x1.5 (LAPP)

HE1G-20ME



Connector (supplied with grip switch)
Type No. SKINTOP BS-M20x1.5 (LAPP)

HE1G-20MB/21SMB



Connector (supplied with grip switch)
Type No. SKINTOP BS-M20x1.5 (LAPP)

Accessories

Part Numbers: Replacement Rubber Cover

Appearance	Part Number	Material	Color
	HE9Z-GBK1	Silicon Rubber	Yellow

Part Numbers: Mounting Plate (secures grip switch)

Appearance	Part Number	Material
	HE9Z-GH1	Metal