

Overview

The KEMET GF compact metal box filters cover single-phase requirements with a wide variety of characteristics. These filters are optimized for conduction noise. Their input/output terminals are screw type or Faston® type.

Applications

- Industrial equipment
- Electronic equipment

Benefits

- Single-phase 250 VAC
- Current range from 5 to 20 A
- Operating temperature range from -20°C to +60°C (except GF-205E at -20°C to +55°C)
- UL or CSA approved versions available
- RoHS compliant

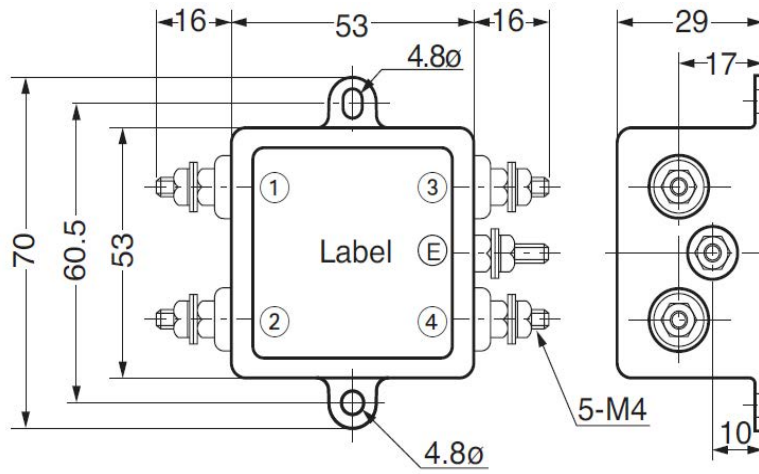


Part Number System

GF-	2	20	U
Series	Phase	Rated Current (A)	Specification
GF	2 = Single-phase	0x = 0x A xx = xx A	E = Faston® terminal, CSA approved U = Screw terminal, UL approved Note: Faston® is a registered trademark of Tyco Electronics AMP

Dimensions – Millimeters

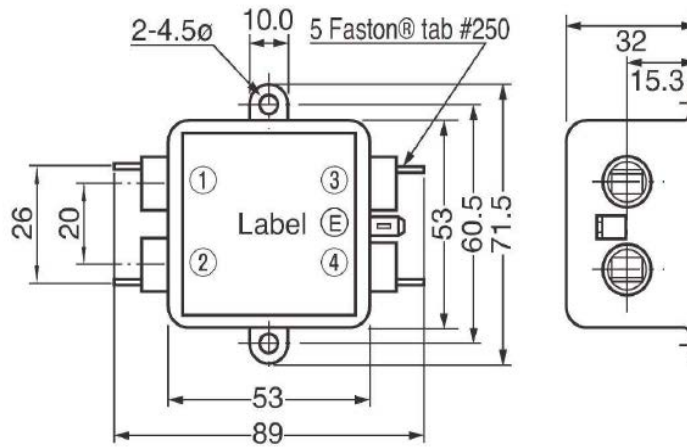
GF-2**U



Recommended torque (N-m) maximum

- Line terminal (M4: 0.78)
- Earth terminal (M4: 1.18)

GF-2**E



Recommended torque (N-m) maximum

- Line terminal (M4: 0.78)
- Earth terminal (M4: 1.18)

Faston® is a registered trademark of Tyco Electronics AMP.

Environmental Compliance

KEMET GF EMI-RFI Filters comply with EU RoHS Directive 2011/65/EU and (EU) 2015/863. Products that fall under the exemptions listed in below table are also included.



Part Number	RoHS Compliant	RoHS Exemption Code
GF-205U	Yes	6(c) and 7(c)-I
GF-210U	Yes	6(c) and 7(c)-I
GF-220U	Yes	6(c) and 7(c)-I
GF-205E	Yes	7(c)-I

Code	Exemption
6(c)	Copper alloy containing up to 4% lead by weight
7(c)-I	Electrical and electronic components containing lead in a glass or ceramic other than dielectric ceramic in capacitors, e.g. piezoelectronic devices, or in a glass or ceramic matrix compound

Approvals

Certification Body	File Number	Part Number
UL	E59551	GF-205U, GF-210U and GF-220U
CSA	LR50413	GF-205E

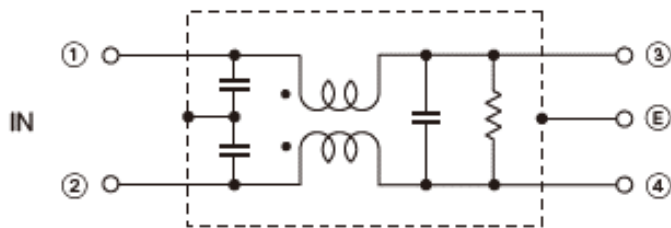
Performance Characteristics

Item	Performance Characteristics
Rated Voltage	250 V
Rated Current Range	5 – 20 A
Withstanding Voltage	1,500 VAC (1 minute, line to ground)
Insulation Resistance	300 MΩ minimum at 500 VDC (1 minute, line to ground)
Leakage Current	1 mA maximum at 250 V/60 Hz
Input/Output Terminal Type	Screw and Faston®
Operating Temperature Range	-20°C to +60°C, except GF-205E at -20°C to +55°C (not including self temperature rise)

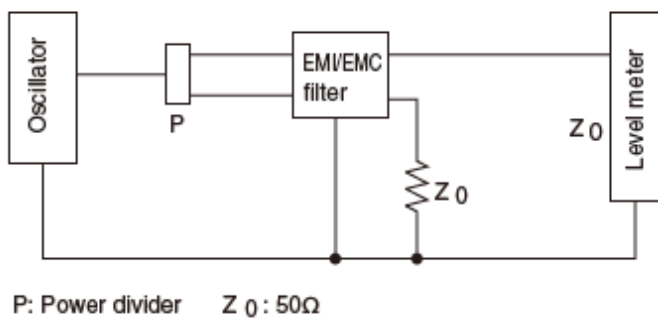
Table 1 – Ratings & Part Number Reference

Part Number	Phase	Rated Voltage AC/DC (V)	Rated Current AC/DC (A)	Leakage Current at 250 V/60 Hz (mA) Maximum	Temperature Rise (K) Maximum	Operating Temperature Range	Terminal Type	Approval	Weight (g)
GF-205U	Single-phase	250	5	1	30	-20°C to +60°C	Screw	UL	130
GF-210U	Single-phase	250	10	1	30	-20°C to +60°C	Screw	UL	140
GF-220U	Single-phase	250	20	1	30	-20°C to +60°C	Screw	UL	150
GF-205E	Single-phase	250	5	1	30	-20°C to +55°C	Faston®	CSA	130

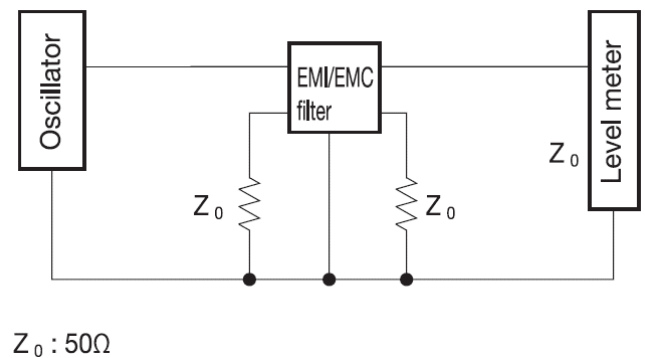
Circuit Diagram



Measuring Circuit - Common Mode

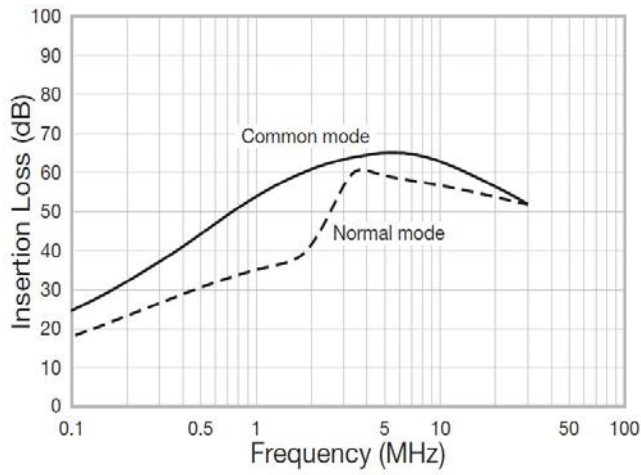


Measuring Circuit - Normal Mode

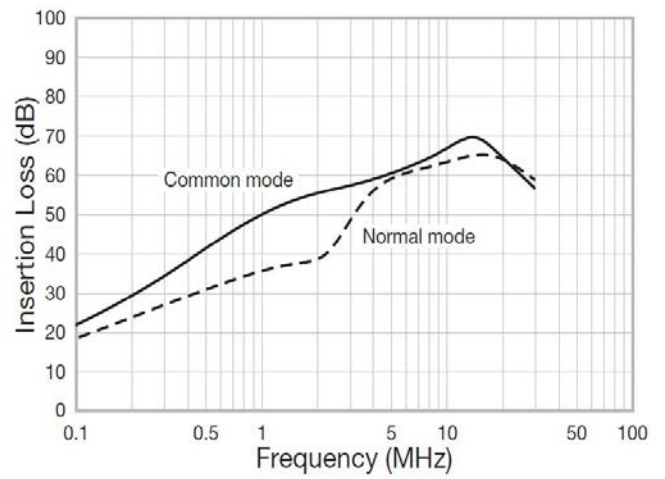


Attenuation (Static Characteristics)

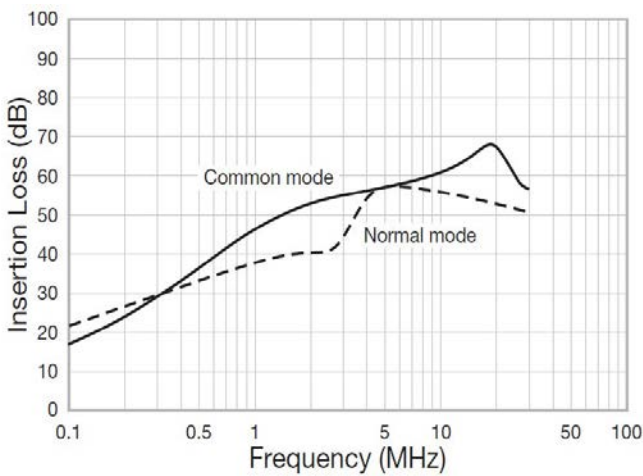
GF-205U



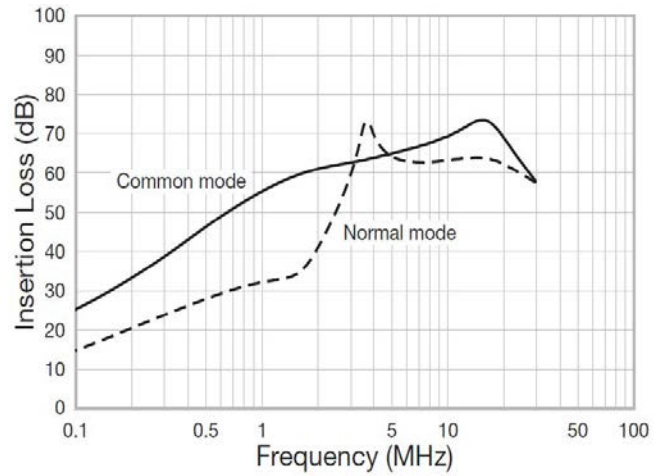
GF-210U



GF-220U



GF-205E



Packaging

Part Type	Packaging Type	Pieces per Box
GF-2**U	Tray	10
GF-2**E		50

Handling Precautions

Precautions for product storage

EMI-RFI Filters should be stored in normal working environments. While the filters themselves are quite robust in other environments, solderability will be degraded by exposure to high temperatures, high humidity, corrosive atmospheres, and long term storage.

KEMET recommends that maximum storage temperature not exceed 40°C, maximum storage humidity not exceed 70% relative humidity, and atmospheres should be free of chlorine and sulfur bearing compounds. Temperature fluctuations should be minimized to avoid condensation on the parts. Also, avoid storage near strong magnetic fields as this might magnetize the product.

EMI-RFI Filters' stock should be used promptly, preferably within 12 months of receipt.

KEMET Electronics Corporation Sales Offices

For a complete list of our global sales offices, please visit www.kemet.com/sales.

Disclaimer

YAGEO Corporation and its affiliates do not recommend the use of commercial or automotive grade products for high reliability applications or manned space flight.

All product specifications, statements, information and data (collectively, the "Information") in this datasheet are subject to change. The customer is responsible for checking and verifying the extent to which the Information contained in this publication is applicable to an order at the time the order is placed. All Information given herein is believed to be accurate and reliable, but it is presented without guarantee, warranty, or responsibility of any kind, expressed or implied.

Statements of suitability for certain applications are based on KEMET Electronics Corporation's ("KEMET") knowledge of typical operating conditions for such applications, but are not intended to constitute – and KEMET specifically disclaims – any warranty concerning suitability for a specific customer application or use. The Information is intended for use only by customers who have the requisite experience and capability to determine the correct products for their application. Any technical advice inferred from this Information or otherwise provided by KEMET with reference to the use of KEMET's products is given gratis, and KEMET assumes no obligation or liability for the advice given or results obtained.

Although KEMET designs and manufactures its products to the most stringent quality and safety standards, given the current state of the art, isolated component failures may still occur. Accordingly, customer applications which require a high degree of reliability or safety should employ suitable designs or other safeguards (such as installation of protective circuitry or redundancies) in order to ensure that the failure of an electrical component does not result in a risk of personal injury or property damage.

Although all product-related warnings, cautions and notes must be observed, the customer should not assume that all safety measures are indicated or that other measures may not be required.

When providing KEMET products and technologies contained herein to other countries, the customer must abide by the procedures and provisions stipulated in all applicable export laws and regulations, including without limitation the International Traffic in Arms Regulations (ITAR), the US Export Administration Regulations (EAR) and the Japan Foreign Exchange and Foreign Trade Act.

KEMET is a registered trademark of KEMET Electronics Corporation.