



**Description**

The Vicfuse 600V Class J blocks offer generous savings and enhanced value over previous generations, such as indication, snap-to-release DIN rail mounting and universal mounting holes.

**Features/Benefits**

- Space-saving design--up to 45% smaller than existing blocks
- Universal mounting holes for easy replacement
- Indication offered on all versions except 200-600A
- One hand release from DIN rail for ferrule style fuses
- Reinforced fuse clips are standard on all Class J blocks
- Covers available for 100A and lower to enhance safety

**Specifications**

Voltage Ratings: 600V  
 Ampere Ratings: 1-600A  
 Leakage Current: <0.6mA at 600V  
 Flammability Rating: UL94 V-0  
 Apprvls Environmental: RoHS Compliant, Lead (Pb) Free

**Recommended Fuses**

Time Delay Series: VJT  
 Fast Acting Series: VJF

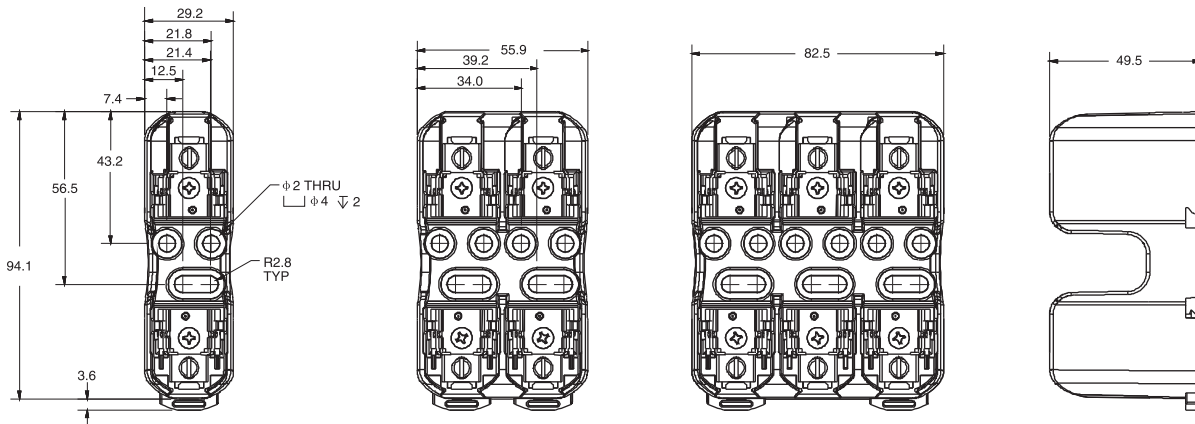
● **Ordering Information (Class J 600V);**

AMP RATING	POL-ES	ORDERING NUMBER				TORQUE	TERMI--NAL	WIRE RANGE (AWG)	WIRE TYPE	BAS W TEMP RATING	DIN RAIL MO--UNT	INDIC--ATION	COVER ORDERING NUMBER
		BASE PART NUMBER	SUFFIX										
			BOX LUG	PRESSUR-E PLATE	SCR--EW								
30	1	VFJ600301	CID	PID	SID	2.8N-m(25in-lbs)	C	6-14	CU Only	125°C	•	•	VFJ60030FBC
	2	VFJ600302	CID	PID	SID		P	10-14					
	3	VFJ600303	CID	PID	SID		S	10-22					
60	1	VFJ600601	CID	-	-	5.6N-m(50in-lbs) 2.8N-m(25in-lbs)	2-4 6-14	CU AL	125°C	•	•	VFJ60060FBC	
	2	VFJ600602	CID	-	-								
	3	VFJ600603	CID	-	-								
100	1	VFJ601001	CID	-	-	13.6N-m(120in-lbs) 4.5N-m(40in-lbs) 4.0N-m(35in-lbs)	2/0-6 8 10-14	CU AL	130°C	-	•	VFJ60100FBC	
	3	VFJ601003	CID	-	-								
200	1	VFJ602001	C	-	-	31.1N-m(275in-lbs)	250kcmil-6	CU AL	130°C	-	-	-	
	3	VFJ602003	C	-	-								
400	1	VFJ604001	C	-	-	31.1N-m(275in-lbs)	(2)350kcmil-1/0	CU AL	130°C	-	-	-	
	3	VFJ604003	C	-	-								
600	1	VFJ606001	C	-	-	42.4N-m(375in-lbs)	(2)500kcmil-4	CU AL	130°C	-	-	-	
	3	VFJ606003	C	-	-								

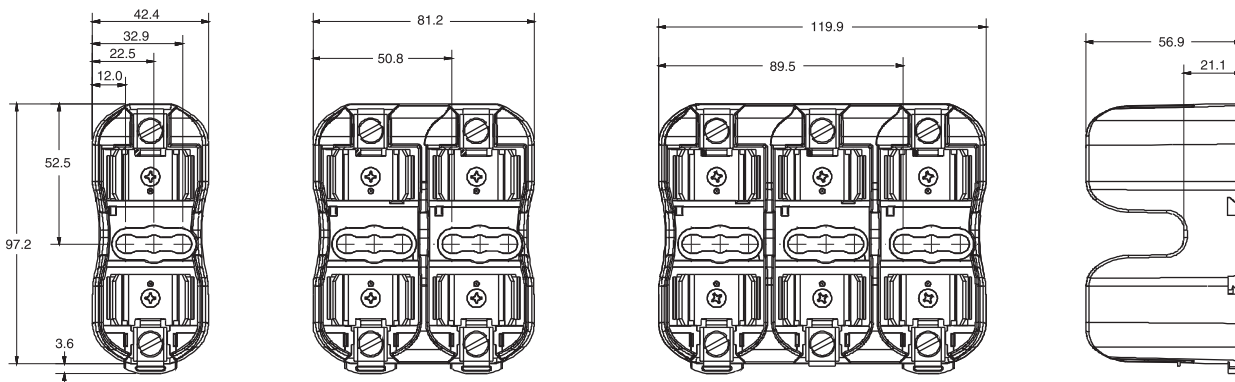
Note: Reinforcing springs standard on all Class J fuse blocks. \*Covers sold individually. One cover needed for each pole.

● Dimension mm;

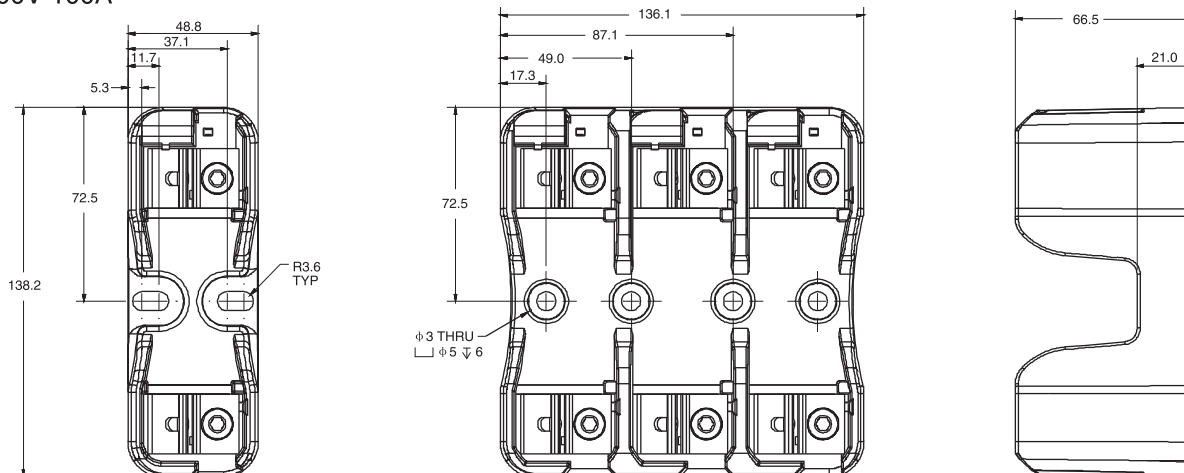
600V 30A



600V 60A

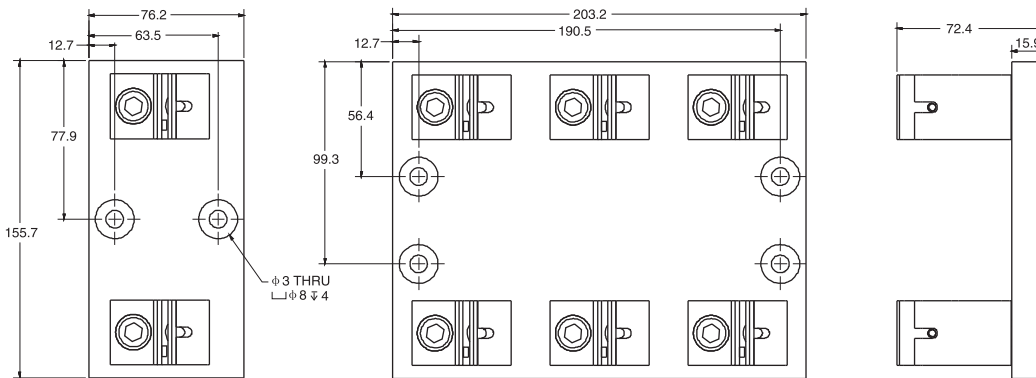


600V 100A

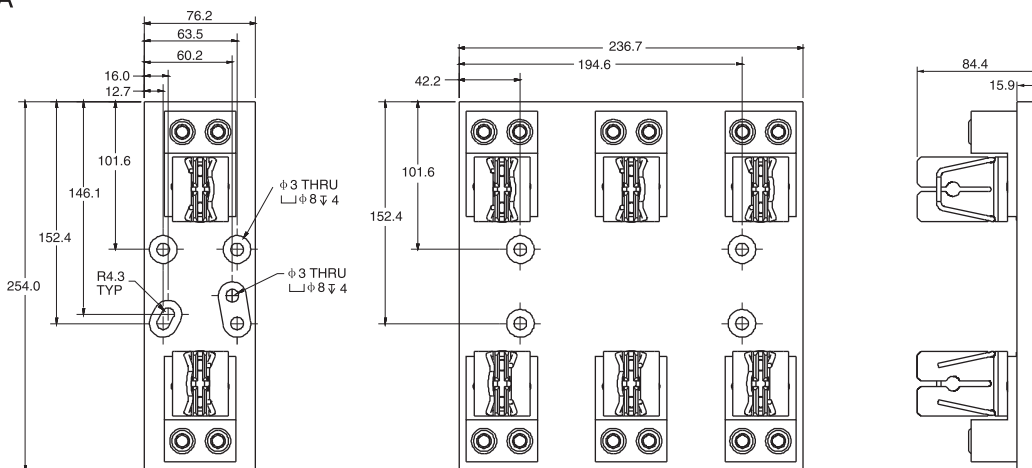


● Dimension mm;

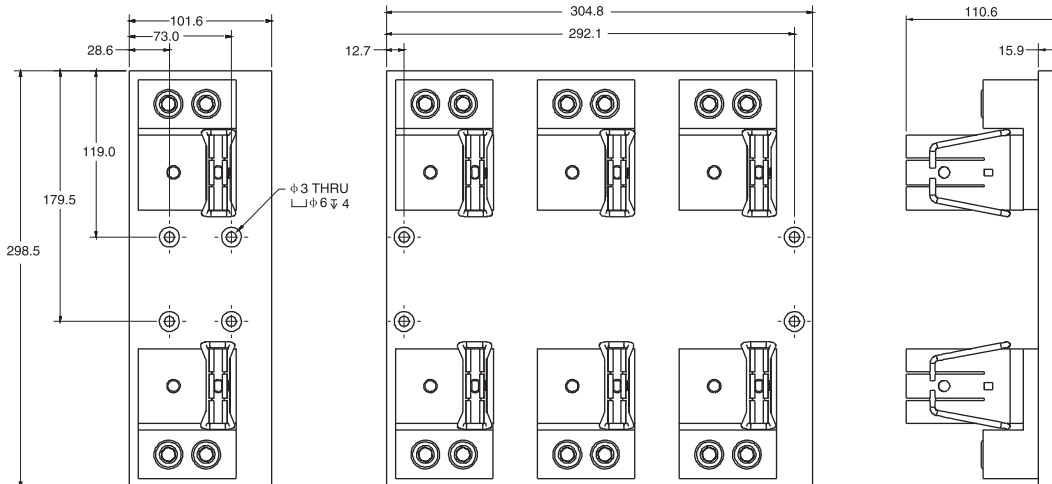
600V 200A

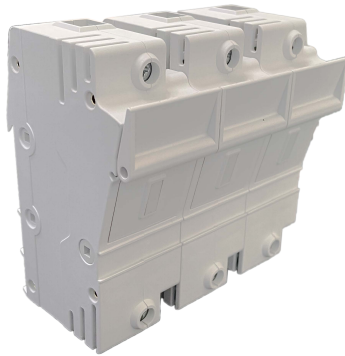


600V 400A



600V 600A





**Description**

Vicfuse Class J POWR-SAFE Dead Front holders provide optimum protection to personnel

**Features**

- Indicating and non-indicating options available
- IP20 degree of protection
- Small compact design offers ultimate flexibility
- 35mm DIN Rail Mountable
- 1-, 2-, and 3-pole configurations
- Easy installation and fuse removal with no additional pullers or tools required

**Specifications**

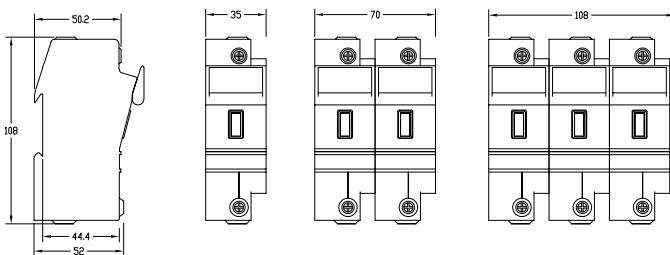
<b>Voltage Ratings</b>	600 Vac/dc
<b>Interrupting Rating</b>	200 kA
<b>Ampere Rating</b>	30 and 60 A
<b>LEDs</b>	110 V – 600 V
<b>Terminal Type</b>	Pressure Plate
<b>Material</b>	Thermoplastic
<b>Flammability Rating</b>	UL94 V-0
<b>Terminal Screws</b>	Phillips / Slotted
<b>Environmental</b>	RoHS compliant

**Ordering Information**

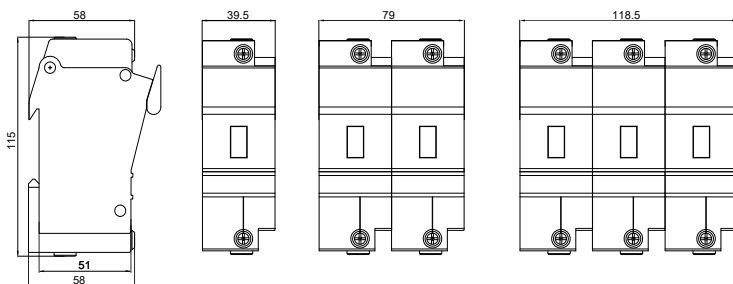
AMP	POLES	INDICATION	ORDERING NUMBER	PACK QTY.	WIRE TYPE	WIRE RANGE	TORQUE	
30	1	-	VFPSJ301.Z	6	Stranded	0.75mm <sup>2</sup> – 1mm <sup>2</sup> 1.5mm <sup>2</sup> – 50mm <sup>2</sup> 18 – 1 AWG	2.5 N-m 4.0 N-m 35 lb-in	
	2	-	VFPSJ302.Z	3				
	3	-	VFPSJ303.Z	2				
30	1	•	VFPSJ301.ZXID	6				
	2	•	VFPSJ302.ZXID	3				
	3	•	VFPSJ303.ZXID	2				
60	1	-	VFPSJ601.Z	6		Stranded	2.5mm <sup>2</sup> – 50mm <sup>2</sup> 14 – 1 AWG	4.0 N-m 35 lb-in
	2	-	VFPSJ602.Z	3				
	3	-	VFPSJ603.Z	2				
60	1	•	VFPSJ601.ZXID	6				
	2	•	VFPSJ602.ZXID	3				
	3	•	VFPSJ603.ZXID	2				

**Dimensions mm (inches)**

**30 Amp**



**60 Amp**



Note: These dimensions are for reference only. Please contact factory for additional information.