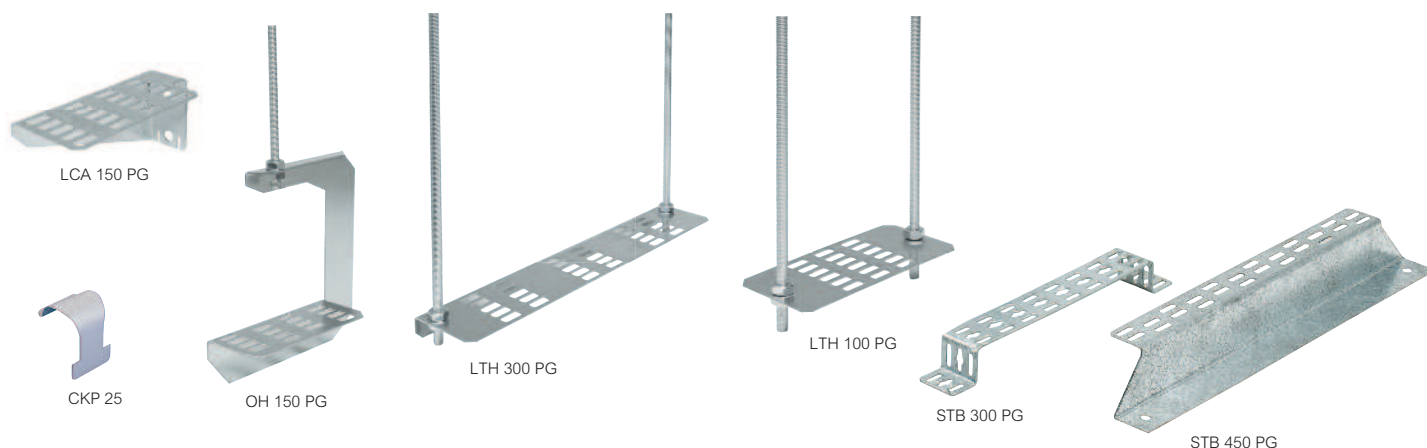


Swifts® cable tray supports

SS light duty, MRF medium duty, SRF heavy duty, XRF extra heavy duty



Dimensions and technical information p. 94-98

Pack	Cat. Nos.	Supports
		Cantilever arms Supplied singly without fasteners Fit horizontal runs of tray to flat surfaces and Swiftrack channel. Suitable for all tray widths For technical information, p. 94-95
1 1	LCA 50 F LCA 75 F	50 mm 75 mm
1 1	LCA 100 F LCA 150 F	100 mm 150 mm
1 1	LCA 225 F LCA 300 F	225 mm 300 mm
1 1 1 1	LCA 450 F LCA 600 F LCA 750 F LCA 900 F	450 mm 600 mm 750 mm 900 mm
50 50	CKP 25 CKP 50	Easi-clip Used to connect tray to Swiftrack channel Zinc coated finish For MRF tray For SRF tray
1 1 1 1	OH 50 F OH 75 F OH 100 F OH 150 F	Overhead hangers Supplied singly without fasteners Support horizontal runs of lightly loaded tray up to 150 mm wide from overhead structures Use M10 threaded rod For technical information, p. 96

Pack	Cat. Nos.	Supports (continued)
		Trapeze hangers Supplied singly without fasteners Support horizontal runs of tray from overhead structures Up to 450 mm wide use M10 threaded rods. For 600 mm wide and above use M12 threaded rods For technical information, p. 97
1 1 1	LTH 50 F LTH 75 F LTH 100 F	50 mm 75 mm 100 mm
1 1 1 1	LTH 150 F LTH 225 F LTH 300 F LTH 450 F	150 mm 225 mm 300 mm 450 mm
1 1 1	LTH 600 F LTH 750 F LTH 900 F	600 mm 750 mm 900 mm
1 1 1 1 1	STB 50 F STB 75 F STB 100 F STB 150 F STB 225 F STB 300 F	Stand-off brackets Supplied singly without fasteners Fit vertical or horizontal runs of tray to vertical surfaces, floors and Swiftrack channel For technical information, p. 98
1 1 1 1 1	STB 450 F STB 600 F STB 750 F STB 900 F	50 mm 75 mm 100 mm 150 mm 225 mm 300 mm

Key : selecting supports. Replace the letters shown in red with your choice from the following options :
F = Finish : **G** (hot dip galvanised after manufacture),
D (deep galvanised), **PG** (pre-galvanised)
S (stainless steel), **E** (powder coated black RAL 9005)