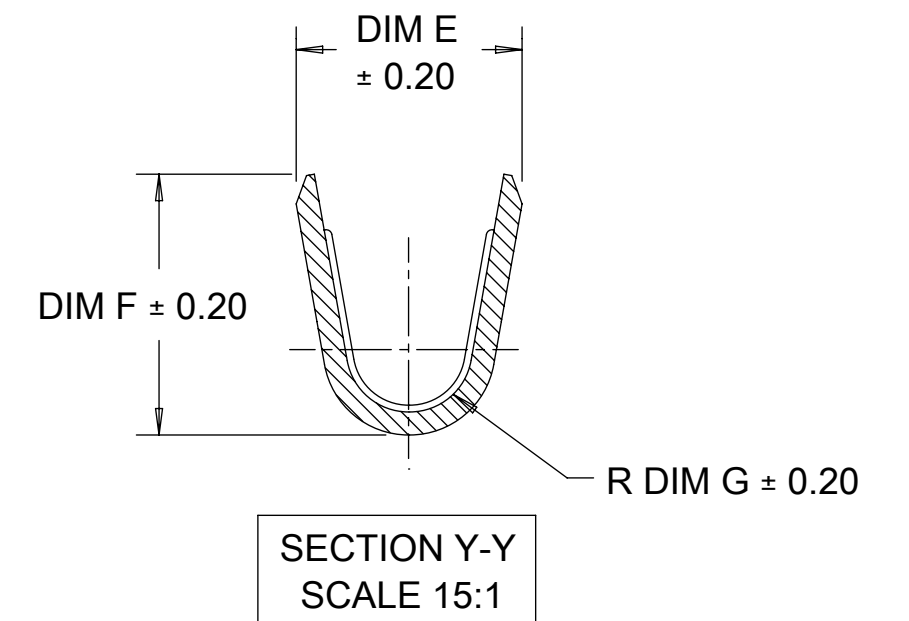
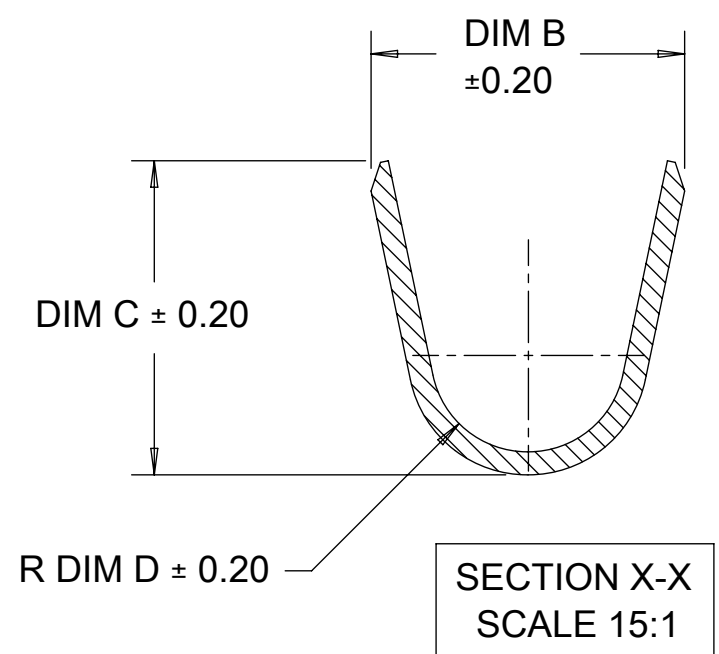
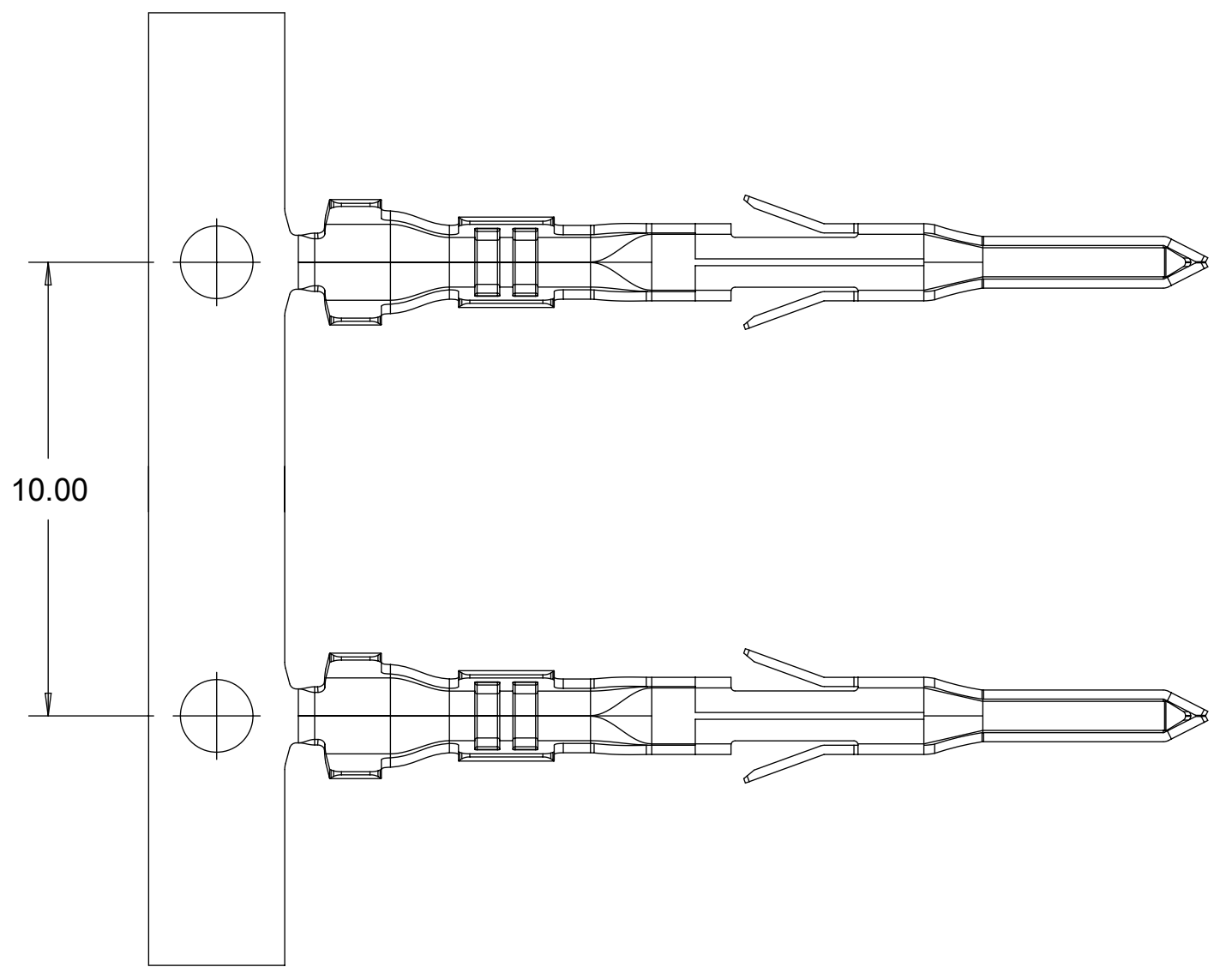
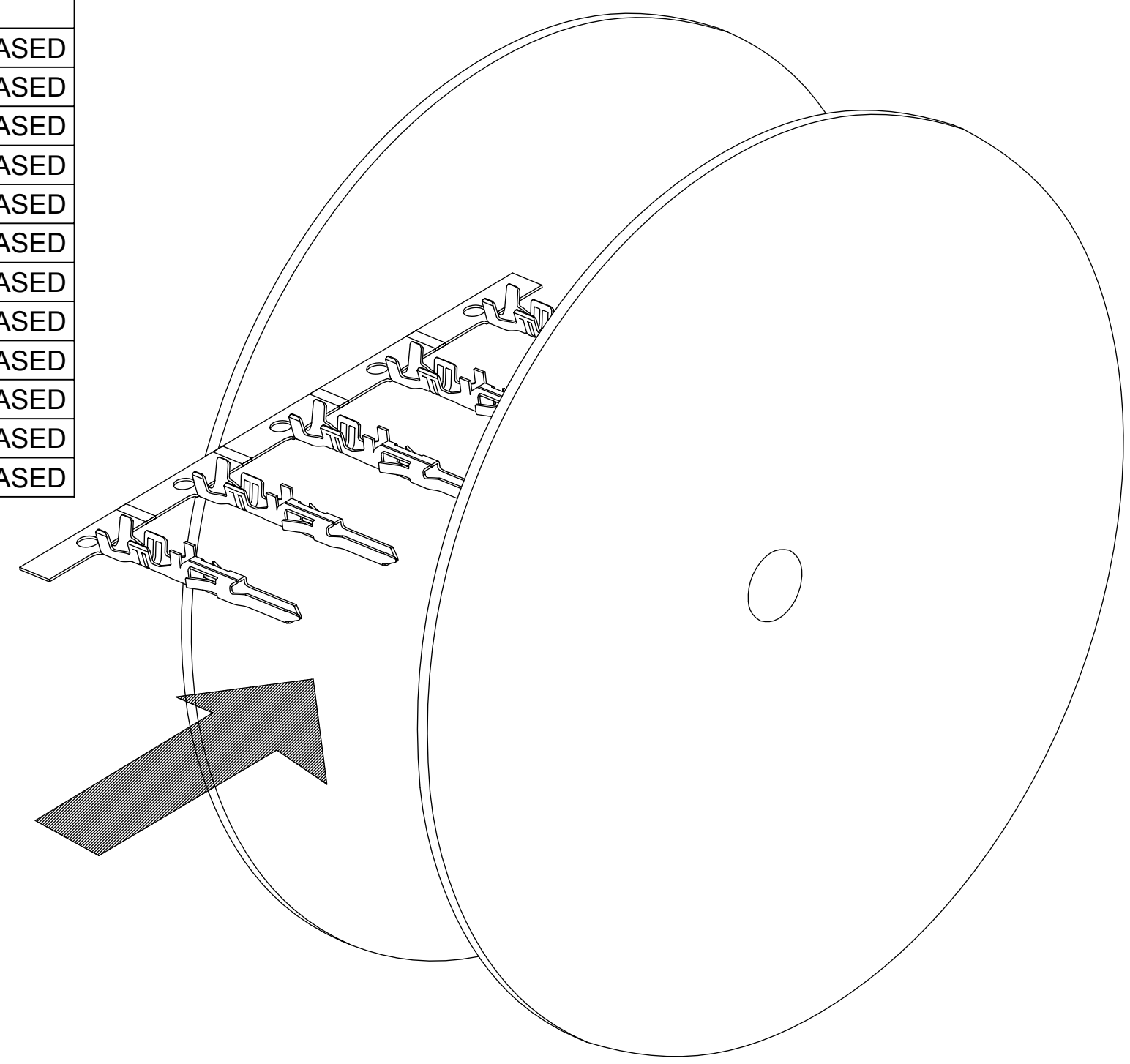


FORM	FINISHED GOODS PART NUMBER FOR GOLD PLATING	FINISHED GOODS PART NUMBER FOR TIN PALTING	BASE, MAT'L	WIRE AWG	WIRE OD RANGE	DIM B	DIM C	DIM D	DIM E	DIM F	DIME G	DIM H	STATUS	
CHAIN	203070-1141	203070-1241	HIGH CONDUCTIVITY COPPER ALLOY	16	1.98-2.55	3.27	3.43	1.00	2.35	2.90	0.70	2.11	RELEASED	
	203070-2141	203070-2241			2.55-3.14	3.74	3.66	1.43				1.91	RELEASED	
	203070-3141	203070-3241		18-20	1.42-2.10	2.77	2.77	0.85	2.00	2.30	0.55	2.11	RELEASED	
	203070-4141	203070-4241			2.10-2.85	3.36	3.37	1.25				2.11	RELEASED	
	203070-5141	203070-5241		22-24	1.07-1.65	2.33	2.27	0.70	1.68	1.65	0.40	2.11	RELEASED	
	203070-6141	203070-6241			1.65-2.38	3.14	3.09	1.00				2.11	RELEASED	
LOOSE	203070-1142	203070-1242		HIGH CONDUCTIVITY COPPER ALLOY	16	1.98-2.55	3.27	3.43	1.00	2.35	2.90	0.70	2.11	RELEASED
	203070-2142	203070-2242				2.55-3.14	3.74	3.66	1.43				1.91	RELEASED
	203070-3142	203070-3242			18-20	1.42-2.10	2.77	2.77	0.85	2.00	2.30	0.55	2.11	RELEASED
	203070-4142	203070-4242				2.10-2.85	3.36	3.37	1.25				2.11	RELEASED
	203070-5142	203070-5242			22-24	1.07-1.65	2.33	2.27	0.70	1.68	1.65	0.40	2.11	RELEASED
	203070-6142	203070-6242				1.65-2.38	3.14	3.09	1.00				2.11	RELEASED

FINISHED GOODS PART NUMBER FOR GOLD PLATING	FINISHED GOODS PART NUMBER FOR TIN PALTING	COMBINATION WIRE AWG
203070-4141	203070-4241	22+22 AWG



THIS DRAWING CONTAINS INFORMATION THAT IS PROPRIETARY TO MOLEX ELECTRONIC TECHNOLOGIES, LLC AND SHOULD NOT BE USED WITHOUT WRITTEN PERMISSION									
DIMENSION UNITS		SCALE		CURRENT REV DESC:					
mm		NTS							
GENERAL TOLERANCES (UNLESS SPECIFIED)				EC NO: 746659				MALE CRIMP TERMINAL MINI-FIT TPA 2.0	
ANGULAR TOL ± °				DRWN: JERRYW8 2023/04/19					
4 PLACES ±				CHK'D: XQZHANG 2023/04/21					
3 PLACES ±				APPR: XQZHANG 2023/04/21				PRODUCT CUSTOMER DRAWING	
2 PLACES ± 0.2				INITIAL REVISION:					
1 PLACE ± 0.2				DRWN: MRAMAKRISHNA 2017/02/17				DOCUMENT NUMBER	
0 PLACES ±				APPR: ISHWARG 2017/05/15				2030700001	
DRAFT WHERE APPLICABLE MUST REMAIN WITHIN DIMENSIONS				THIRD ANGLE PROJECTION		DRAWING		SERIES	
						C-SIZE		203070	
MATERIAL NUMBER		CUSTOMER		SHEET NUMBER		DOC TYPE		DOC PART	
SEE TABLE		GENERAL MARKET		2 OF 2		PSD		000	

DOCUMENT STATUS	P1	RELEASE DATE	2023/04/21	07:41:23
-----------------	----	--------------	------------	----------