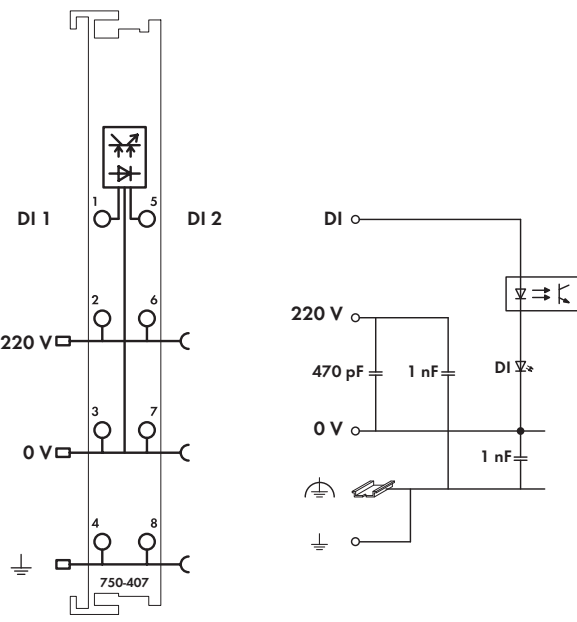
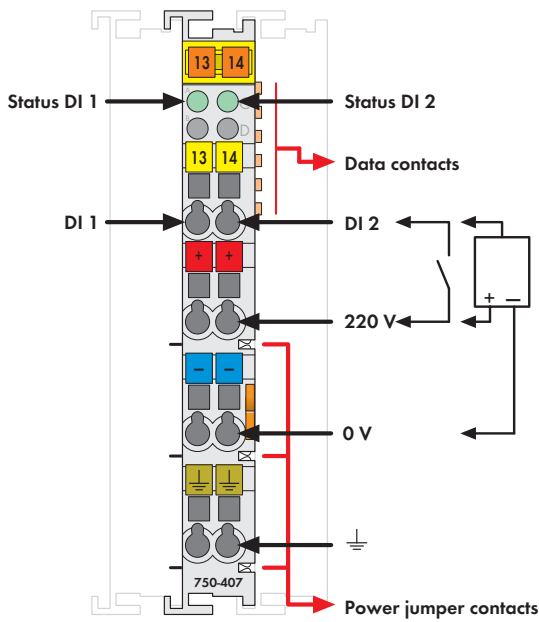


# 2-Channel Digital Input Module 220 V DC

2- to 4-conductor connection; high-side switching


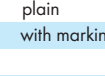




Delivered without miniature WSB markers

The digital input module receives control signal from the digital field devices (sensors, etc.).

Each input module has a 3.0ms noise-rejection filter.

Field and system levels are electrically isolated.

Description	Item No.	Pack. Unit
2DI 220V DC 3.0ms	750-407	1
<b>Accessories</b>		
<b>Miniature WSB Quick marking system</b>		
 plain	248-501	5
 with marking	see Section 11	
<b>Approvals</b>		
Conformity marking	CE	
Korea Certification		
UL 508		

Technical Data	
Number of inputs	2
Current consumption (internal)	5 mA
Voltage via power jumper contacts	220 V DC (-20 % ... +25 %)
Signal voltage (0)	-3 V ... +100 V DC
Signal voltage (1)	160 V ... 286 V DC
Input filter	3.0 ms
Input current (typ.)	1.2 mA at 220 V
Isolation	2.5 kV system/supply
Internal bit width	2 bits
Wire connection	CAGE CLAMP®
Cross sections	0.08 mm <sup>2</sup> ... 2.5 mm <sup>2</sup> / AWG 28 ... 14
Strip lengths	8 ... 9 mm / 0.33 in
Width	12 mm
Weight	48 g
EMC immunity of interference	acc. to EN 61000-6-2
EMC emission of interference	acc. to EN 61000-6-3