



LV HRC fuse element, NH3, In: 425 A, gG, Un AC: 690 V, Un DC: 440 V, Front indicator, live grip lugs

Figure similar

Model	
product brand name	SETRON
product designation	LV HRC fuse link
design of the product	With blade contacts
design of an identification indicator	Front indicators
design of the switching contact	Non-corroding, silver-plated
design of the fuse link	LV HRC fuse link
General technical data	
size of fuse system according to EN 60269-1	NH3
mounting type	non-insulated grip lugs
type of voltage of the operating voltage	AC/DC
supply voltage	
• at AC	690 V
• at DC	440 V
Protection class	
protection class IP	IP20, with connected conductors
Breaking Capacity	
breaking capacity	
• at AC according to IEC 60269 rated value	120 kA
• at DC with time constant ≤ 10 ms according to IEC 60269 rated value	25 kA
Dissipation	
power loss [W]	35.3 W
power loss [W] for rated value of the current at AC in hot operating state per pole	35.3 W
Mechanical Design	
width of the enclosure	71.2 mm
mounting position	Any, preferably vertical
net weight	1 048 g
Environmental conditions	
ambient temperature during operation	
• minimum	-5 °C
• maximum	40 °C
environmental category	-20 to +50 at 95% relative humidity
environmental category during storage	90% at 20°C
Certificates	
reference code according to IEC 81346-2	FC
Approvals Certificates	
General Product Approval	



[Confirmation](#)



Test Certificates Marine / Shipping other Environment

[Miscellaneous](#)



[Miscellaneous](#)

[Confirmation](#)

[Miscellaneous](#)

[Environmental Confirmations](#)

Environment

[Environmental Confirmations](#)

Further information

Information on the packaging

<https://support.industry.siemens.com/cs/ww/en/view/109813875>

Information- and Downloadcenter (Catalogs, Brochures,...)

<http://www.siemens.com/lowvoltage/catalogs>

Industry Mall (Online ordering system)

<https://mall.industry.siemens.com/mall/en/en/Catalog/product?mlfb=3NA3362-6>

Service&Support (Manuals, Certificates, Characteristics, FAQs,...)

<https://support.industry.siemens.com/cs/ww/en/ps/3NA3362-6>

Image database (product images, 2D dimension drawings, 3D models, device circuit diagrams, ...)

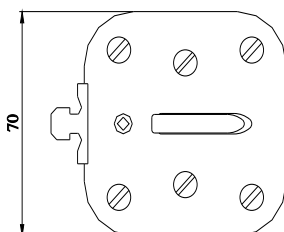
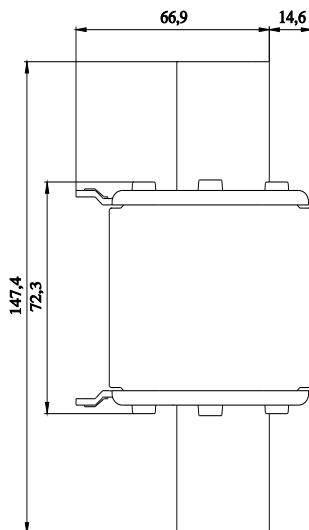
http://www.automation.siemens.com/bilddb/cax_en.aspx?mlfb=3NA3362-6

CAX-Online-Generator

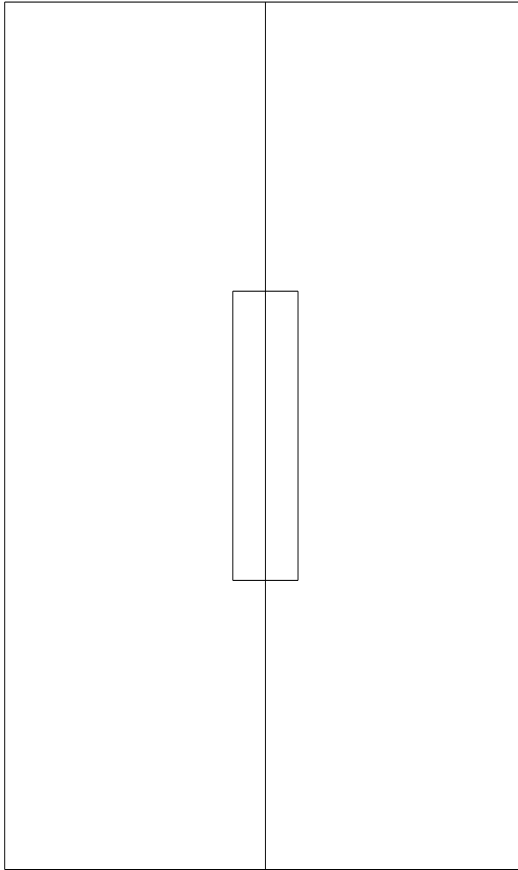
<http://www.siemens.com/cax>

Tender specifications

<http://www.siemens.com/specifications>



-F



FU

