

# Technical Data Sheet

## Zone 22 Explosion Proof Switchgear

CDPD68  
Issue 2

Craig & Derricott has been manufacturing enclosed switchgear for more than 70 years. We have incorporated all of that experience in producing an outstanding product that has now been approved for use in explosive dust atmospheres. Using high quality die cast aluminium and hinged door sheet steel enclosures the range covers 20A - 100A ratings.

### Design & Safety Features

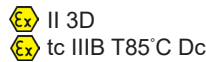
- All items allow for the fitting of up to three padlocks in the 'Off' position.
- Units are inclusive of fixings outside of the enclosure seal area and an external earth point.

Catalogue Numbers			
Rating	Format	Cat. No.	Enclosure Size
20A	6P+2 EB Aux	<a href="#">SDDG206EBZ22</a>	A
25A	3P+2 EB Aux	<a href="#">SDDG253EBZ22</a>	
32A	3P+2 EB Aux 6P+2 EB Aux	<a href="#">SDDG323EBZ22</a> <a href="#">SDDG326EBZ22</a>	
40A	3P+2 EB Aux	<a href="#">SDDG403EBZ22</a>	B
	6P+2 EB Aux	<a href="#">SDDG406EBZ22</a>	
63A	3P+2 EB Aux	<a href="#">SDDG633EBZ22</a>	C
	3P+2 EB Aux	<a href="#">SDMG633EBZ22</a>	
	6P+2 EB Aux	<a href="#">SDMG636EBZ22</a>	
100A	3P	<a href="#">SDGC01003Z22</a>	3A
	3P+N	<a href="#">SDGC01003NZ22</a>	
	3P+N+2 EB Aux	<a href="#">SDGC01003NEBZ22</a>	
	3P+2 EB Aux	<a href="#">SDGC01003EBZ22</a>	



### Certification Details

Die cast Aluminium / Sheet Steel  
Coding



Complies in part or in full with standards:-

BS EN 60079-0, BS EN 60079-31  
BS EN 60529, BS EN 60947-3, BS EN 60204-1

### Technical Specification

Data supplied against tests to IEC/BS EN 60947-3

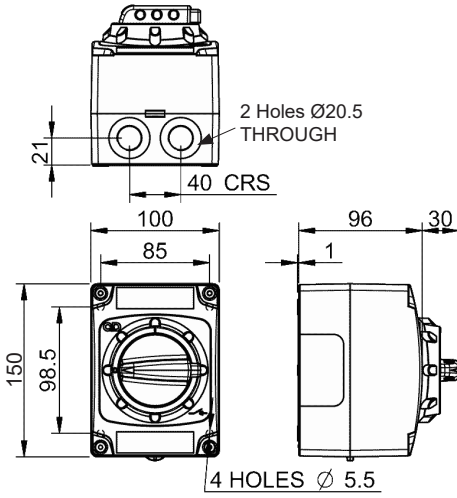
Application	Sym.	Unit	Category	20A 6P	25A 3P	32A 3P+6P	40A 3P	40A 6P	63A 3P+6P	100A 3P
Rated thermal current	$I_{the}$	A		20	25	32	40	40	63	100
Rated insulation voltage	$U_i$	V		690	690	690	690	690	690	1000
Rated impulse voltage	$U_{imp}$	kV		6.0	6.0	6.0	6.0	6.0	6.0	8.0
Rated operational power (3 phase AC)		kW	380/440V - AC23	7.5	11	15	15	15	25	59
			500V - AC23	7.5	15	15	15	15	30	63
			690V - AC23	7.5	15	15	15	15	30	51
Rated short time withstand current (1 sec)	$I_{cw}$	A		250	500	600	600	600	1300	2600
Max. fuse size for short circuit protection (gG Characteristic)		kA	10kA	20	35	35	40	40	80	160
			25kA	16	32	32	32	32	63	160
			50kA	-	32	32	32	32	63	160
Connecting capacity		-	Terminal type							
		mm <sup>2</sup>	Flexible cable	2.5 x 2	6	6	6	6	16	50
		mm <sup>2</sup>	Rigid cable	2.5 x 2	10	10	10	10	25	70
		Nm	Tightening torque	1.0	1.2	1.2	1.2	1.2	1.2	2

# Technical Data Sheet

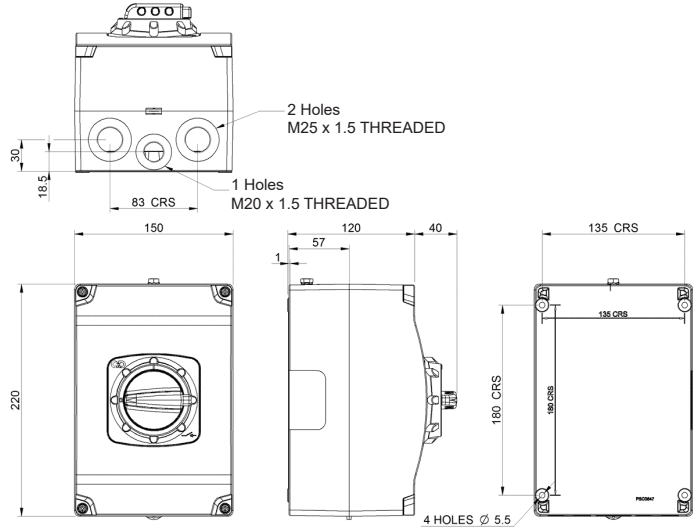
## Zone 22 Explosion Proof Switchgear

CDPD68  
Issue 2

### Dimensions

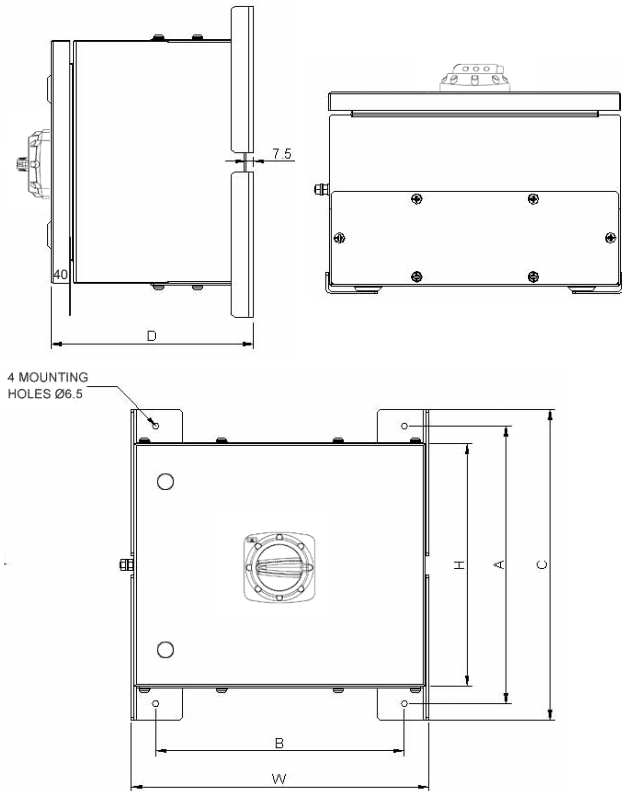


Enclosure A



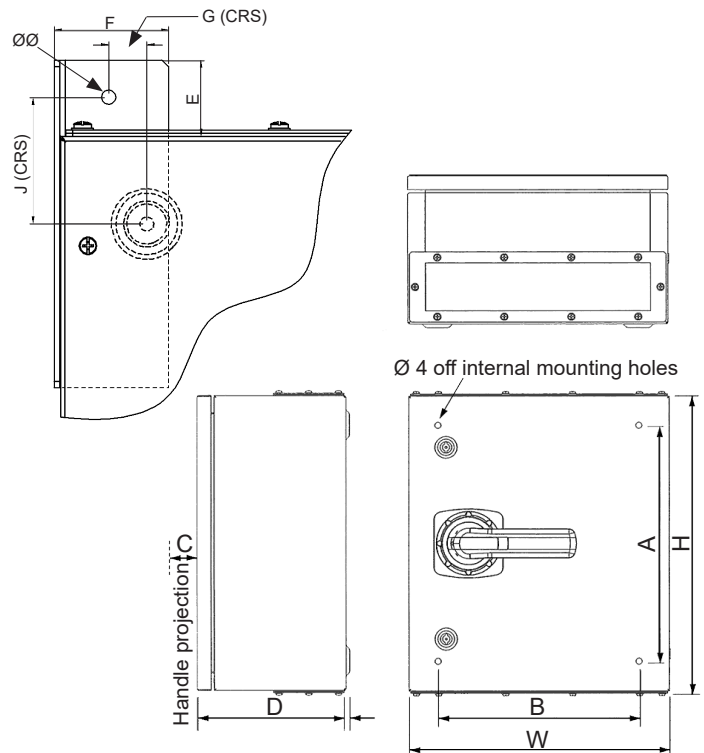
Enclosure B

### Enclosure C & D



Dim	H	W	D	A	B	C
Size C	250	256	108	286	206	320
Size D	250	306	208	286	256	320

### Enclosure 3A



Dim	H	W	D	A	B	C	Ø
3A	350	300	175	270	220	67	8.5

External Feet

Dim	E	F	G	J	ØØ
3A	35	58	13	58	8.5