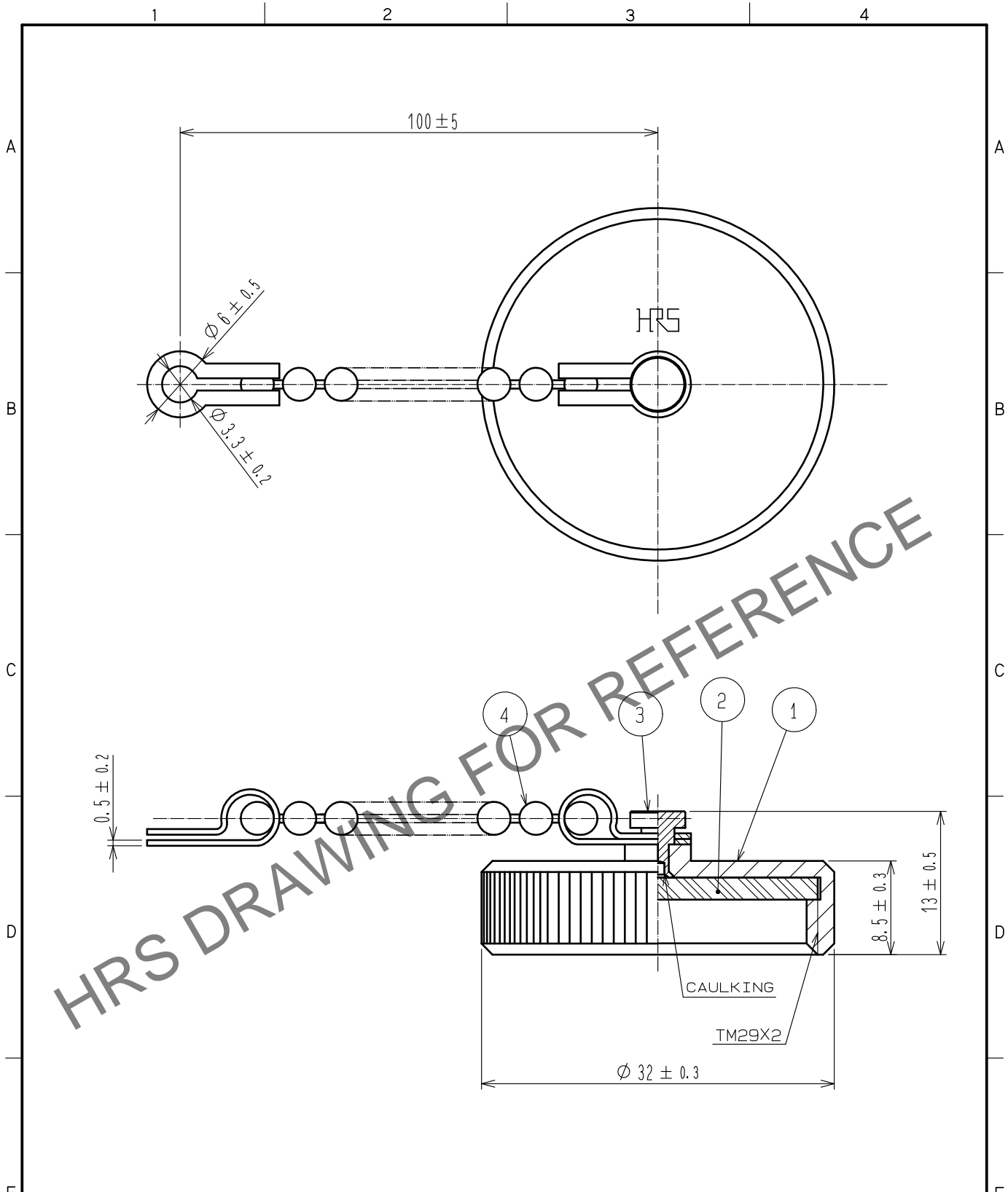


Jul.1.2024 Copyright 2024 HIROSE ELECTRIC CO., LTD. All Rights Reserved.
 In case of consideration for using Automotive equipment / device which demand high reliability, kindly contact our sales window correspondents.



NOTE THIS PRODUCT IS A CAP FOR RM24TR※-※(※), RM24WTR※-※(※)
 IT IS APPLICABLE REGARDLESS OF GIVEN ALPHABETS OR NUMBERS SHOWN AT ※.

2	CHLOROPRENE RUBBER	(BLACK)	4	BRASS	NICKEL PLATING		
1	BRASS	NICKEL PLATING	3	BRASS	NICKEL PLATING		
NO.	MATERIAL	FINISH . REMARKS	NO.	MATERIAL	FINISH . REMARKS		
UNITS mm		SCALE 2 : 1	COUNT 	DESCRIPTION OF REVISIONS	DESIGNED	CHECKED	DATE
HIROSE ELECTRIC CO., LTD.	APPROVED	HY. KOBAYASHI	18.02.22	DRAWING NO.	EDC-003912-31-00		
	CHECKED	HY. KOBAYASHI	18.02.22	PART NO.	RM24TR-C(31)		
	DESIGNED	HY. KISHI	18.02.21	CODE NO.	CL109-0492-2-31		
	DRAWN	MK. INOUE	18.02.06		1/1		