

NOTES:

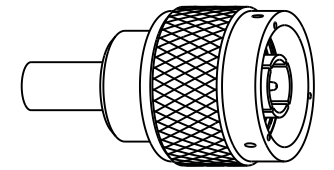
1. MATERIALS AND FINISHES:
 BODY - BRASS, SILVER PLATING
 CONTACT - BRASS, GOLD PLATING
 INSULATOR - PTFE
 GASKET - SILICONE RUBBER
2. MECHANICAL:
 A. DURABILITY : 500 CYCLES MIN
 B. TEMPERATURE RANGE : -65°C TO +165°C
3. PACKAGING:
 A. QUANTITY: SINGLE PACK
 B. MARKING: BAG TO BE MARKED "AMPHENOLRF, 82-4427, AND DATE CODE"
4. ASTERISK (*) SHOWS THE CABLE ENTRY DIMENSIONS.
5. CUSTOMER NOTE : SOLDER CONTACT TO CABLE.
 CRIMP WITH AMPHENOL TOOL 227-944(M22520/5-01) AND
 DIE SET 227-1221-57 CAVITY B (M22520/5-57 CLOSURE B)
6. CRIMP WITH AMPHENOL TOOL 227-944(M22520/5-01) AND
 DIE SET 227-1221-57 CAVITY A (M22520/5-57 CLOSURE A)

THIRD ANGLE PROJ.

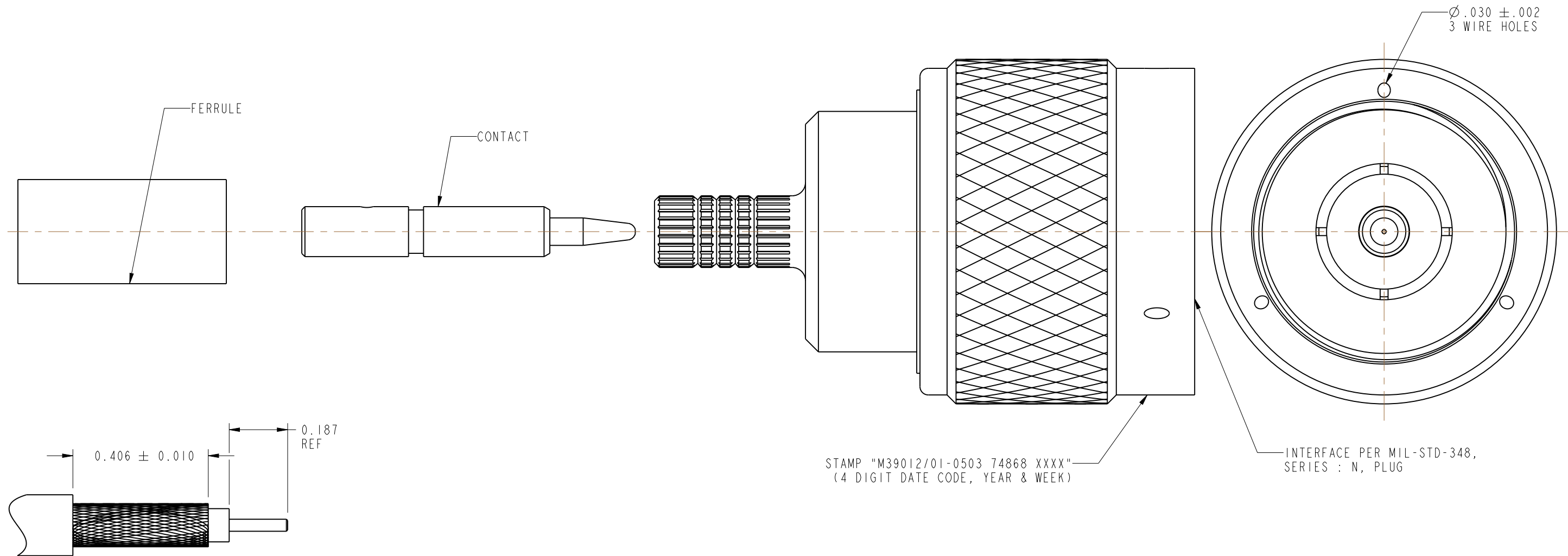
REVISIONS

| REV | DESCRIPTION | DATE | ECO | APPR |
|-----|-------------------------------------|-----------|-------|-------|
| -- | RELEASED TO MFG. | ----- | ----- | ----- |
| W | REDRAWN IN PRO E | 1/14/13 | 48616 | RAK |
| Y | DRAWING NO. WAS MIL-C-39012/01-0303 | 31-Jan-19 | 10726 | MRM |

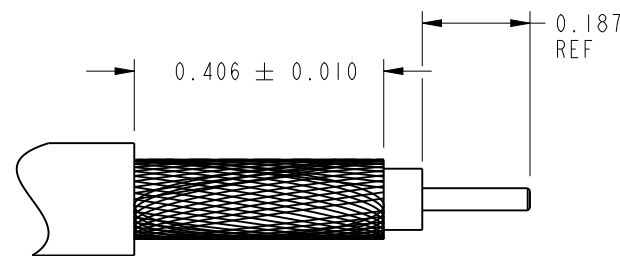
MIL-C-39012 INSPECTION



SCALE 1.000



RECOMMENDED CABLE STRIPPING DIMENSIONS



THIS CONNECTOR IS COVERED BY U.S. PATENT 3,439,294 & 3,474,391

CUSTOMER OUTLINE DRAWING
 ALL OTHER SHEETS ARE FOR INTERNAL USE ONLY

| | | | | | |
|---|--|----------------------------|-------------------|--|-----------------------------------|
| UNLESS OTHERWISE SPECIFIED, DIMENSIONS ARE IN INCHES AND TOLERANCES ARE: 2 PLACE DECIMAL 3 PLACE DECIMAL ANGLES $\pm .015$ (0,381 mm) $\pm .005$ (0,127 mm) $\pm 1^\circ$ | MATERIAL SEE NOTES | DRAWN ABHAYA KISHORE | DATE 09-Jun-11 | TITLE TYPE "N" PLUG MIL-CRIMP FOR RG 400 & 142B/U CABLE | Amphenol RF www.amphenolrf.com |
| | REFERENCE DRAWING NO. : MIL-C-39012/01-0503 | ENGINEER ABHAYA KISHORE | DATE 09-Jun-11 | | |
| | CONFIGURATION LEVEL: In Work | APPROVED K. CAPOZZI | DATE 1/14/13 | ITEM NO. 82-4427 | |
| | FINISH | CAD FILE | SCALE: 4.0:1.0 | SHEET 2 OF 2 | PART NO. 82-4427 |