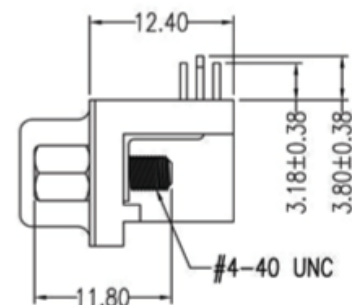
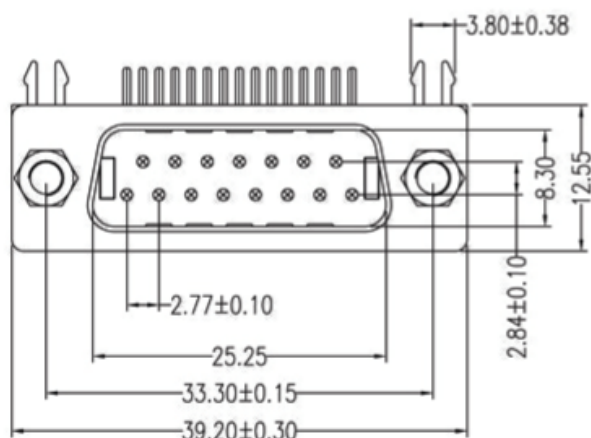
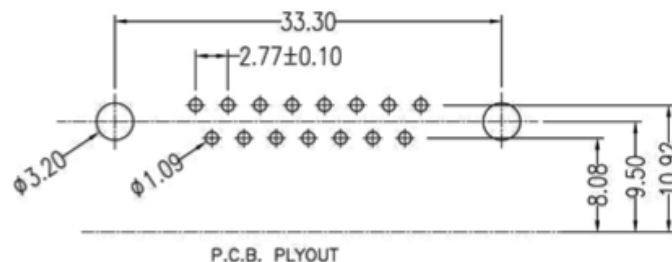
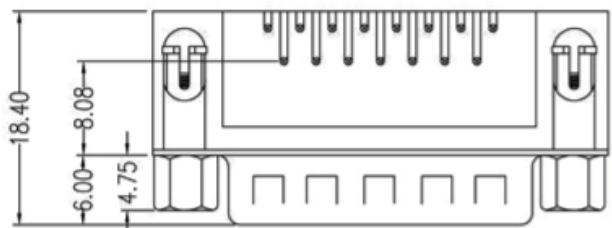


Kinghelm®

SIDE	DATE	DESCRIPTION	APPROVER
△			
△			



一 MATERIAL:

1. Insulator: PBT+30%Glass Fiber (UL94V-0)
2. Contact: Brass
3. Contact Plated: Gold Flash over Tin Or Glod Plated Or Tin Plated
4. Shell: Steel, Nickel Plated

二 SPECIFICATION :

1. Current Rating: 5 AMPS
2. Insulation Resistance: 1000MΩ MIN. At 500VDC
3. Dielectric Strength: 500V for One minute
4. Operation Temperature: -55° C~+105° C.

电话(tel)	0755-28190160	公差		深圳市金航标电子有限公司		
传真(fax)		.0±0.30	.07±0.1	www.kinghelm.com.cn		
		.00±0.25	.007±0.1	比例(scale)	1 : 1	日期(date)
		.000±0.01	.007±0.1	页次(sheet)	A / 1	绘图(draw)
比例(scale)	1 : 1	日期(date)	单位(units)	mm	图名(name)	DR-15P叉锁
页次(sheet)	A / 1	绘图(draw)	Vicky	颜色(shaded)	图号(draw number)	DDRP1-0000000
版次(rev.)	B	审核(ch'k)	材料(mat'l)	料号-Part number	KH-DR-15-CSW	
视图(view)	⊕	核准(app'd)	Ken	处理(finish)	图档-File Name	