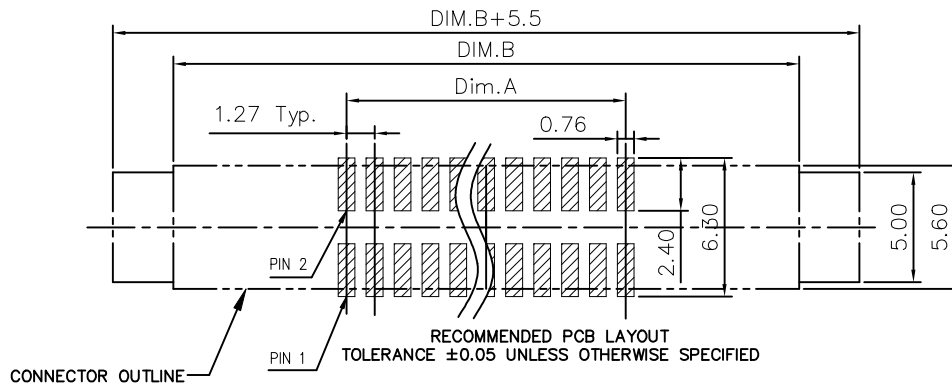


DASH No.	Dim.	Amount of Pins	Dim.A	Dim.B	Dim.C
-000 06 XX LF	6	2.54	18.31	8.46	
-000 08 XX LF	8	3.81	19.58	9.73	
-000 10 XX LF	10	5.08	20.85	11.00	
-000 12 XX LF	12	6.35	22.12	12.27	
-000 14 XX LF	14	7.62	23.39	13.54	
-000 16 XX LF	16	8.89	24.66	14.81	
-000 20 XX LF	20	11.43	27.20	17.35	
-000 26 XX LF	26	15.24	31.01	21.16	
-000 30 XX LF	30	17.78	33.55	23.70	
-000 34 XX LF	34	20.32	36.09	26.24	
-000 40 XX LF	40	24.13	39.90	30.05	
-000 44 XX LF	44	26.67	42.44	32.59	
-000 50 XX LF	50	SEE PAGE 2			



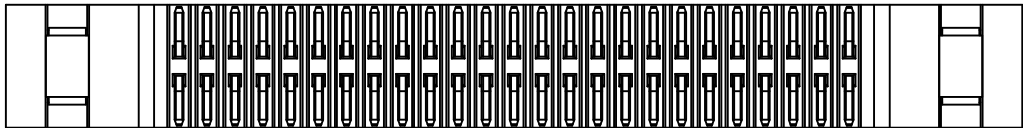
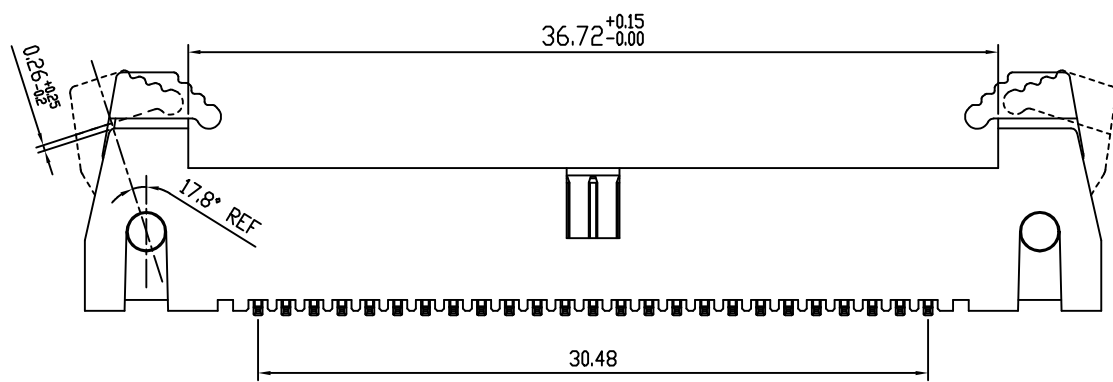
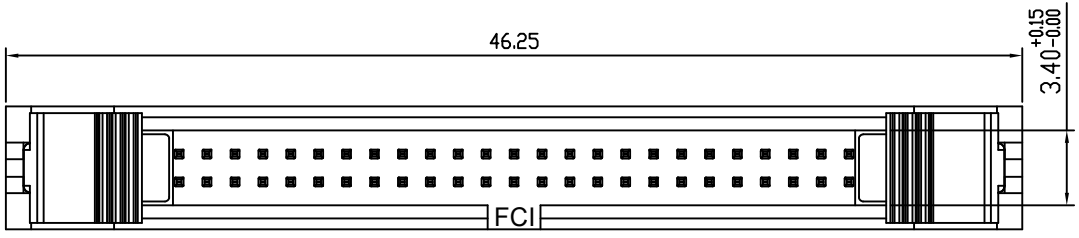
NOTE:

- MATERIAL, HOUSING & LACTH: HIGH TEMP PLASTIC, UL94-V0, BLACK
CAP: HIGH TEMP PLASTIC, UL94-V0, BLACK
TERMINAL: COPPER ALLOY, SQ=0.40±0.03MM
- FINISH: TERMINAL: GOLD AT CONTACT, G/F OVER 1um(40u")MIN Ni OVER ALL
- SPEC.: PRODUCT SPEC: GS-12-629
PACKING SPEC: GS-14-1420
- THE HSG. WILL WITHSTAND EXPOSURE TO 260C PEAK TEMP. FOR 10 SEC. IN A CONVECTION INFRA-RED OR VAPOR PHASE REFLOW OVEN.
- PRODUCT NUMBERING:
20021621 - 0 0 0 XX X X LF

LEAD FREE
PLATING:
1: GOLD FLASH, ALL OVER
4: 0.25um(10U")GOLD AT CONTACT
8: 0.76um(30U")GOLD AT CONTACT
9: 1u" GOLD OVER 30u" PdNi AT CONTACT
PACKING
T: TUBE
D: TUBE + CAP
C: T&R + CAP
PIN COUNT
SEE TABLE 1

0.10	FOR 6-40 POS
0.12	FOR 44-50 POS

mat'l. code		surface ISO 1302		tolerance ISO 406 ISO 1101		projection		product family	
ltr		ecn no		dr		date		MINITEK127	
G		ELX-N-50679-1		SF		03/27/24		title	
C		T-005600		S.LIN		01/16/12		1.27X1.27MM BTB EJECT HEADER SMT	
D		ELX-N-010367		ZK		01/16/12		dwg no	
E		ELX-N-010623		ZK		02/12/12		sheet 1 of 2	
F		ELX-N-17277		TIM		03/20/14		size	
								A3	
								20021621	
								type Product Customer Drawing	
sheet index		revision sheet		G		1			



ONLY FOR 20021621-00050XXLF
THE OTHER DIMENSIONS ARE THE SAME WITH PAGE 1

- NOTE:
- MATERIAL,
HOUSING & LACTH: HIGH TEMP PLASTIC, UL94-V0, BLACK
CAP: HIGH TEMP PLASTIC, UL94-V0, BLACK
TERMINAL: COPPER ALLOY, SQ=0.40±0.03MM
 - FINISH:
TERMINAL: GOLD AT CONTACT,
G/F OVER 1um(40u")MIN Ni OVER ALL
 - SPEC.:
PRODUCT SPEC: GS-12-629
PACKING SPEC: GS-14-1420
 - THE HSG. WILL WITHSTAND EXPOSURE TO 260C
PEAK TEMP. FOR 10 SEC. IN A CONVECTION INFRA-RED
OR VAPOR PHASE REFLOW OVEN.
 - PRODUCT NUMBERING IS THE SAME WITH PAGE 1

mat'l. code		surface		tolerance		projection		product family	
		ISO 1302 ✓		ISO 406 ISO 1101				MINITEK127	
ltr		ecn no		dr		date		title	
G								1.27X1.27MM BTB EJECT HEADER SMT	
								scale 1:1	
								dwg no	
								sheet 2 of 2	
								size	
								A3	
								type	
								Product Customer Drawing	
sheet		revision		G					
index		sheet		2					