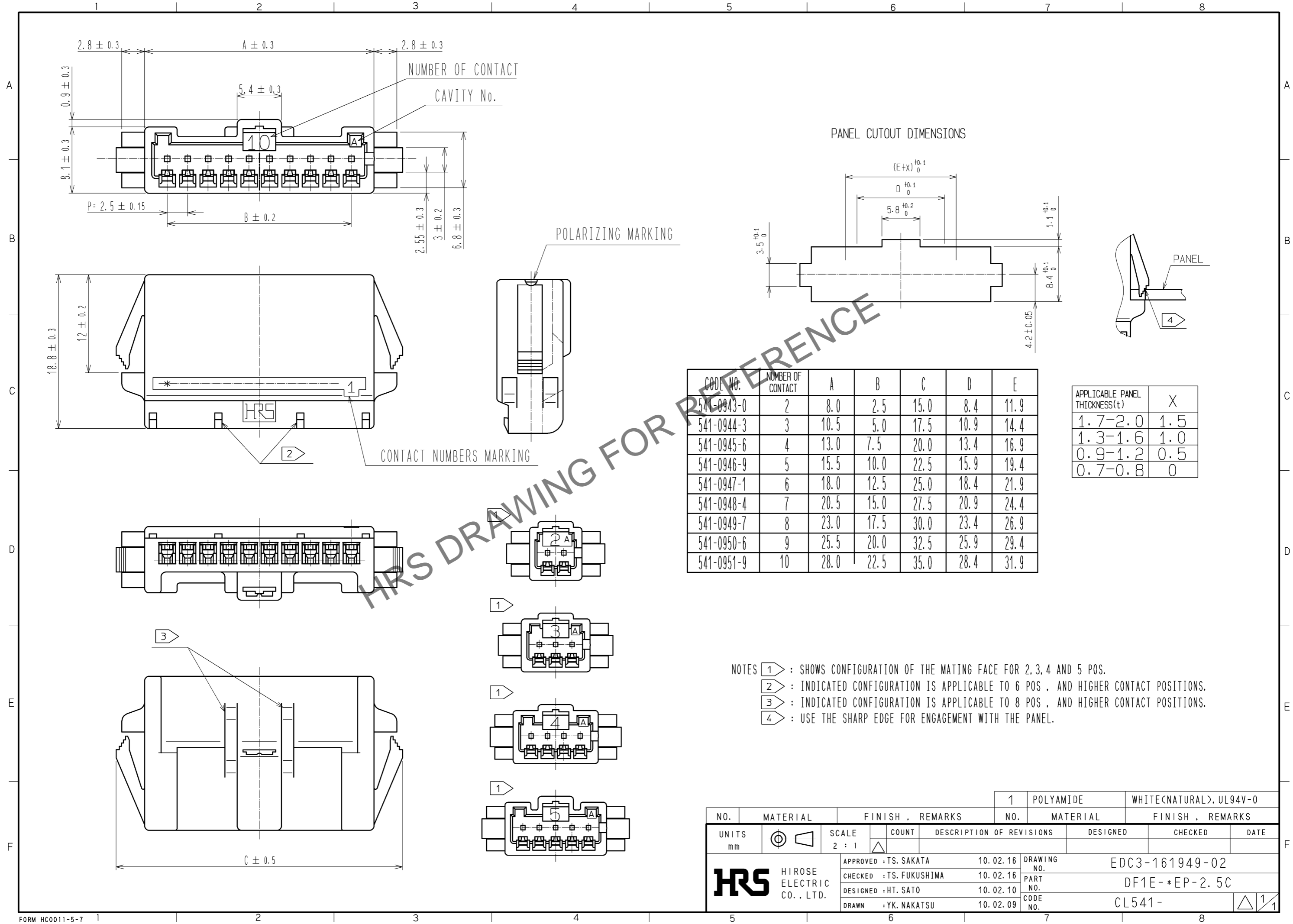


Jun.1.2024 Copyright 2024 HIROSE ELECTRIC CO., LTD. All Rights Reserved.
 In case of consideration for using Automotive equipment / device which demand high reliability, kindly contact our sales window correspondents.



NO.	MATERIAL	FINISH . REMARKS	NO.	MATERIAL	FINISH . REMARKS
1	POLYAMIDE			WHITE(NATURAL), UL94V-0	

UNITS	SCALE	COUNT	DESCRIPTION OF REVISIONS	DESIGNED	CHECKED	DATE
mm	2 : 1	△				

HRS HIROSE ELECTRIC CO., LTD.	APPROVED : TS. SAKATA 10.02.16	DRAWING NO. EDC3-161949-02
	CHECKED : TS. FUKUSHIMA 10.02.16	PART NO. DF1E-*EP-2.5C
	DESIGNED : HT. SATO 10.02.10	CODE NO. CL541-
	DRAWN : YK. NAKATSU 10.02.09	