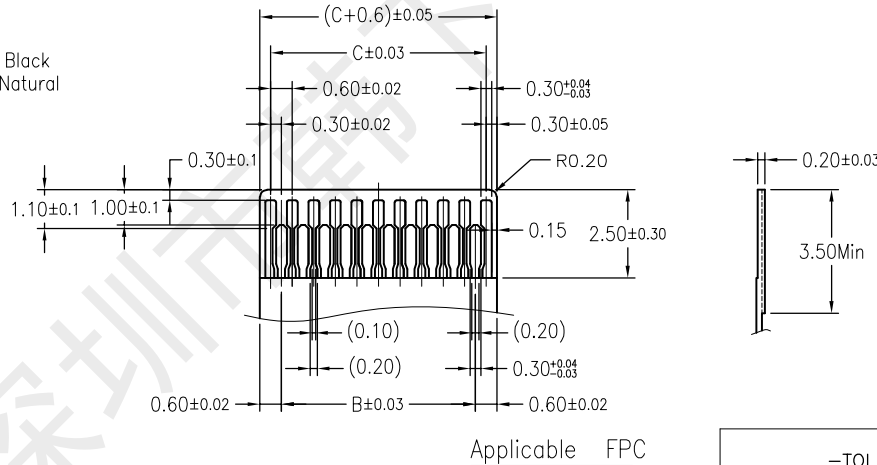


- Note:
- Material
    - Housing: LCP UL94-V0 Color:Natural.Or Black
    - Actuator: LCP UL94-V0 Color:Black Or Natural
    - Contact: Phosphor Bronze.
    - LEG: Phosphor Bronze.
  - Plating
    - Contact: See Part Number.
    - LEG: Matte Tin Plating Over Nickel.
  - Rating:
    - Operating Voltage: 30V AC/DC.
    - Current Rating: 0.2A AC/DC.
    - Operating Temperature: -25°C~+85°C.



Number of Contacts	Dimension				
	A	B	C	D	E
13	5.40	3.00	3.60	4.25	4.90
15	6.00	3.60	4.20	4.85	5.50
17	6.60	4.20	4.80	5.45	6.10
19	7.20	4.80	5.40	6.05	6.70
21	7.80	5.40	6.00	6.65	7.30
23	8.40	6.00	6.60	7.25	7.90
25	9.00	6.60	7.20	7.85	8.50
27	9.60	7.20	7.80	8.45	9.10
29	10.20	7.80	8.40	9.05	9.70
31	10.80	8.40	9.00	9.65	10.30
33	11.40	9.00	9.60	10.25	10.90
35	12.00	9.60	10.20	10.85	11.50
37	12.60	10.20	10.80	11.45	12.10
39	13.20	10.80	11.40	12.05	12.70
41	13.80	11.40	12.00	12.65	13.30
45	15.00	12.60	13.20	13.85	14.50
49	16.20	13.80	14.40	15.05	15.70
51	16.80	14.40	15.00	15.65	16.30
57	18.60	16.20	16.80	17.45	18.10
61	19.80	17.40	18.00	18.65	19.30
67	21.60	19.20	19.80	20.45	21.10
71	22.80	20.40	21.00	21.65	22.30
73	23.40	21.00	21.60	22.25	22.90

Applicable FPC

-TOLERANCES-  
UNLESS OTHERWISE SPECIFIED  
公差参考表

深圳市韩下电子有限公司



TITLE:  
產品名稱: HX FPC 0.3-21P XGXJ H1.0

REV	DESCRIPTION	ECN.NO	BY	DATE
D	主体和盖子外观变更	20141204001		12/04'14
C	添加11PIN规格	20140331001		03/31'12
B	0.70改为0.80	20130520001		05/20'13
A	-----	-----		02/18'13

X.X	±0.30	X.X*	±5°
X.XX	±0.20	X.XX*	±2°
X.XXX	±0.10	X.XXX*	±1°

APPD: 罗小春  
核准:  
CHECK: 张伟  
校對:  
DRAW: 黄彬  
繪圖:

DATE	SCALE	UNIT	PAGE
20111004	1:1	mm	1/1