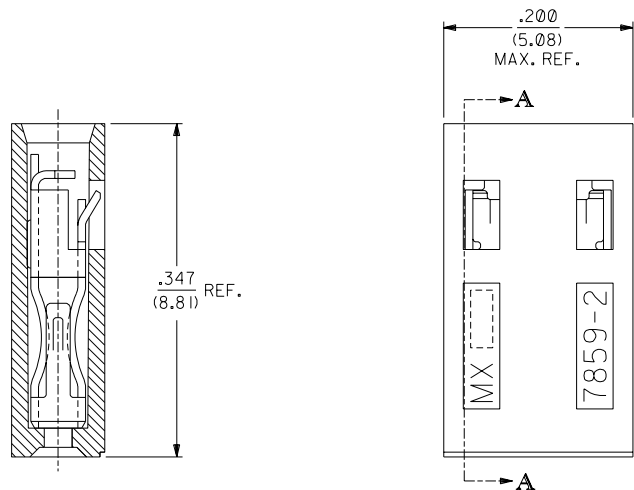
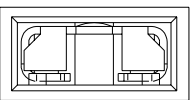


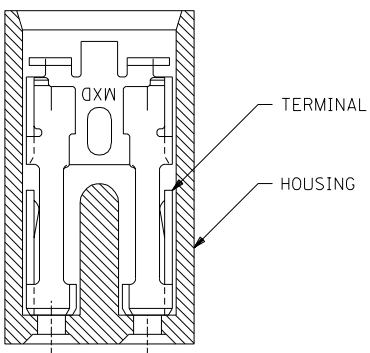
EDP NO.	ENG NO.	FINISH
		TIN OVERALL
		15 GOLD
7859-1027		30 GOLD

**PART IDENTIFICATION:**

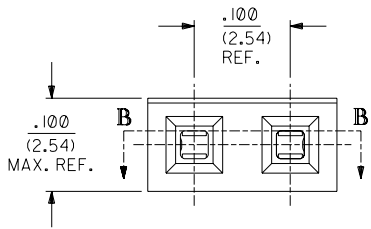
A-7859-2A\*\*\*  
 └── PLATING SPECIFICATION  
 └── PIN STOP VERSION



**SECTION A-A**



**SECTION B-B**



**NOTES:**

1. MATERIAL;  
HOUSING: GLASS FILLED POLYESTER; 94V-0; COLOR: BLACK  
TERMINAL: PHOSPHOR BRONZE ALLOY.
2. THIS PRODUCT CONFORMS TO MOLEX PRODUCT SPEC. PS-7859.
3. TO BE USED WITH .025/(0.64) SQUARE PINS.
4. MINIMUM MATING PIN LENGTH: .200/(5.08)  
MAXIMUM MATING PIN LENGTH: .270/(6.86)
5. PRODUCT IS PACKAGED IN BOXES PER PK-70873-0815.

**FINISH SPECIFICATION**

- TIN OVERALL - .000150 MINIMUM TIN PLATE OVER .000050 MINIMUM NICKEL UNDERPLATE.
- 15 GOLD - .000015 MINIMUM GOLD PLATE IN SELECT AREA OVER .000050 MINIMUM NICKEL UNDERPLATE OVERALL.
- 30 GOLD - .000030 MINIMUM GOLD PLATE IN SELECT AREA OVER .000050 MINIMUM NICKEL UNDERPLATE OVERALL.

NOTE FOR LEAD FREE CONVERSION:

THE PRIMARY SHIPPING CARTON WILL BE LABELED "COMPLIANT TO ROHS DIRECTIVE 2002/95/EC AND ELV ANNEX II OF DIRECTIVE 2000/53/EC". CARTONS WITHOUT THIS LABEL MAY CONTAIN PRODUCT WITH LEAD.

A	RELEASED ECR UCP2005-0167 RKADAMS 04/8/3
---	--

DIMENSIONS SHOWN (METRIC) INCH		▽ = 0		◻ = 0		REVISE ONLY ON CAD SYSTEM	
UNLESS OTHERWISE SPECIFIED TOLERANCES: ANGULAR ± 1/2°							
		INCH		METRIC			
3 PLACE	± .005	---					
2 PLACE	± .01	± 0.13					
1 PLACE	---	± 0.25					
DRAFT WHERE APPLICABLE MUST REMAIN WITHIN DIMENSIONS							
DRWG. BY: RKA		CHK'D. BY: BB		FILE NAME: S7859X1.DGN		SCALE: 10:1	
MFG. SH. REV. LTR.		REV. 60532		DATE: 04/8/4		SHEET NO. 1 OF 1	
MOLEX INCORPORATED U.S.A.				MOLEX INCORPORATED U.S.A.			
PART NO. SEE CHART				DRWG. NO. SD-7859-001			
THIS DRAWING CONTAINS INFORMATION THAT IS PROPRIETARY TO MOLEX INC. AND SHOULD NOT BE USED WITHOUT WRITTEN PERMISSION.							