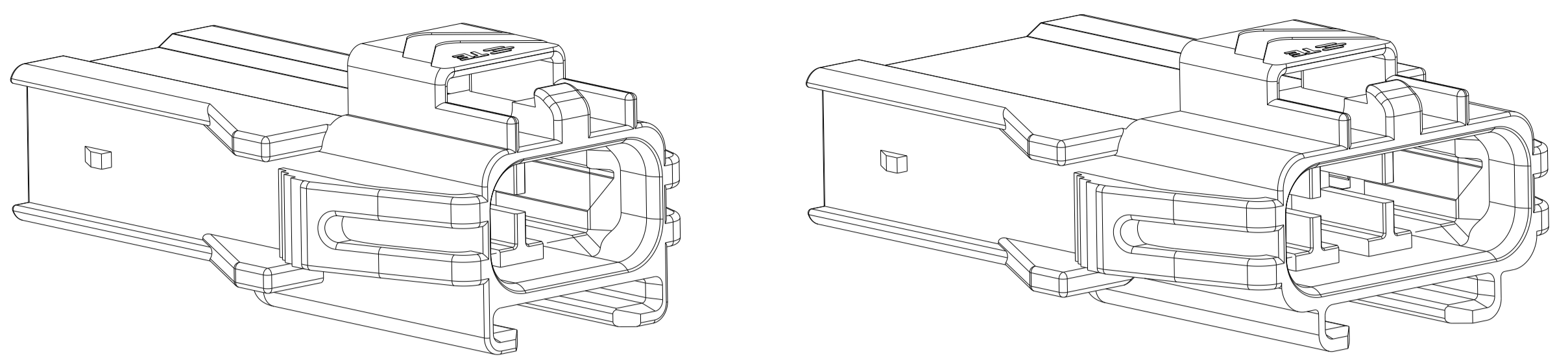
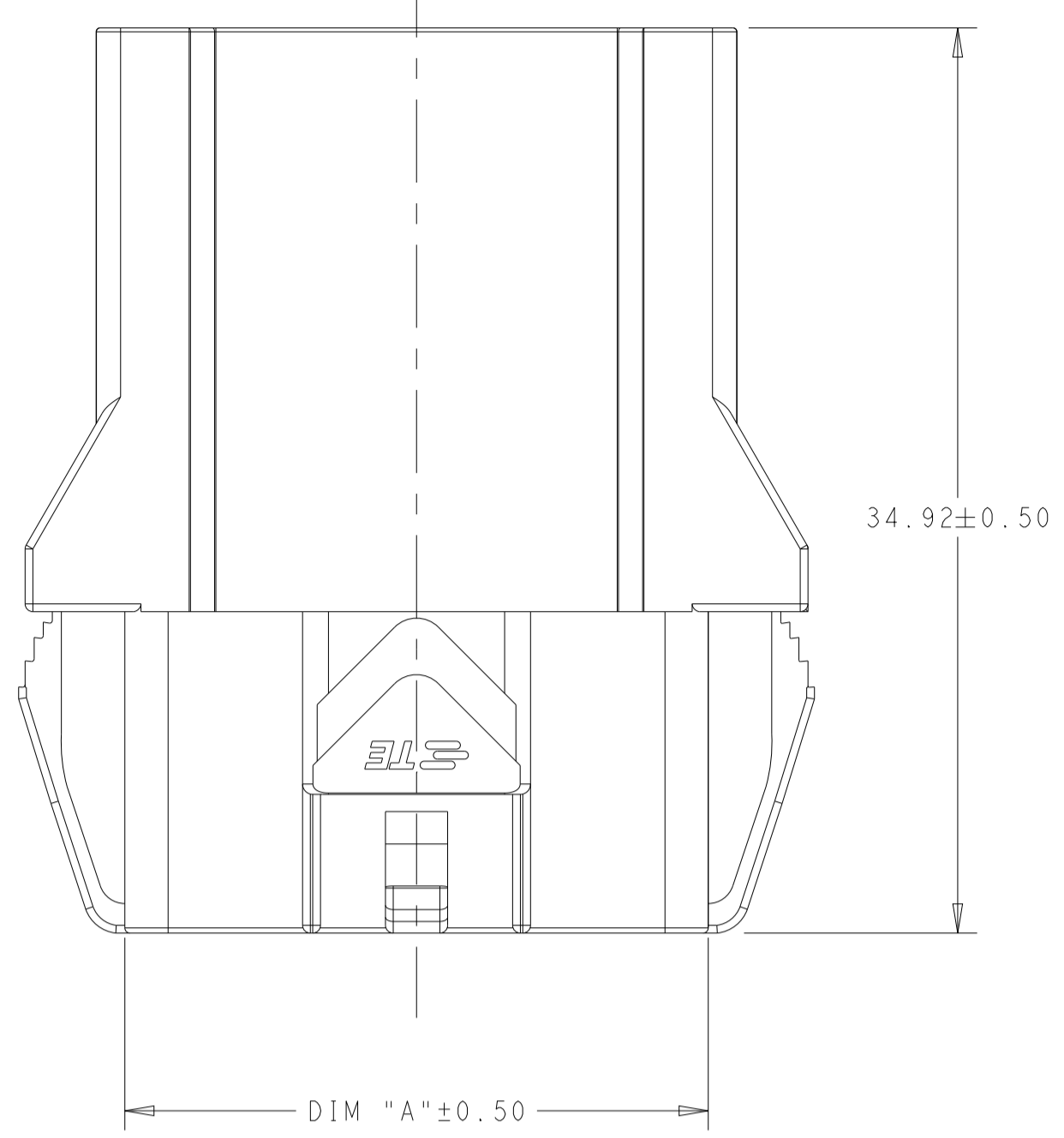
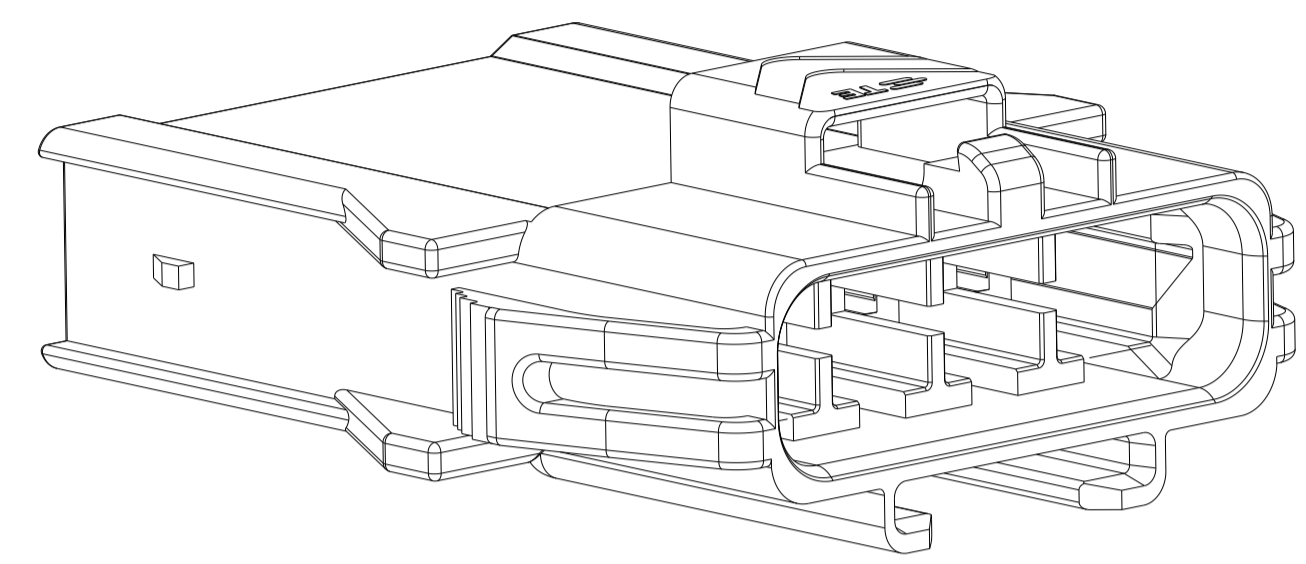


REVISIONS					
P	LTN	DESCRIPTION	DATE	DWN	APVD
A		RELEASED PER ECN-20-100548	30OCT2020	JP	VS
B		REVISED PER ECR-22-142839	28JUL2022	PJ	VS



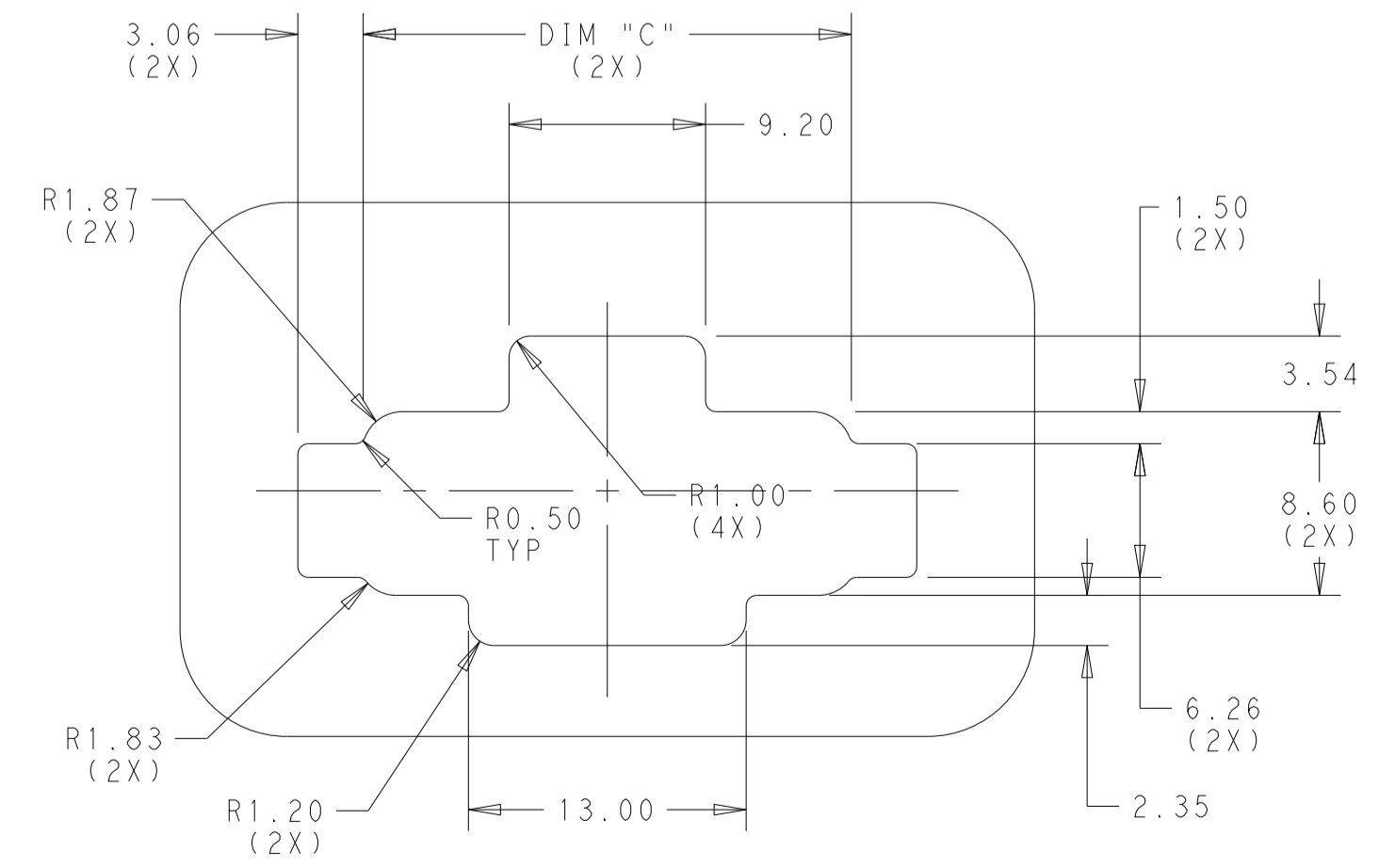
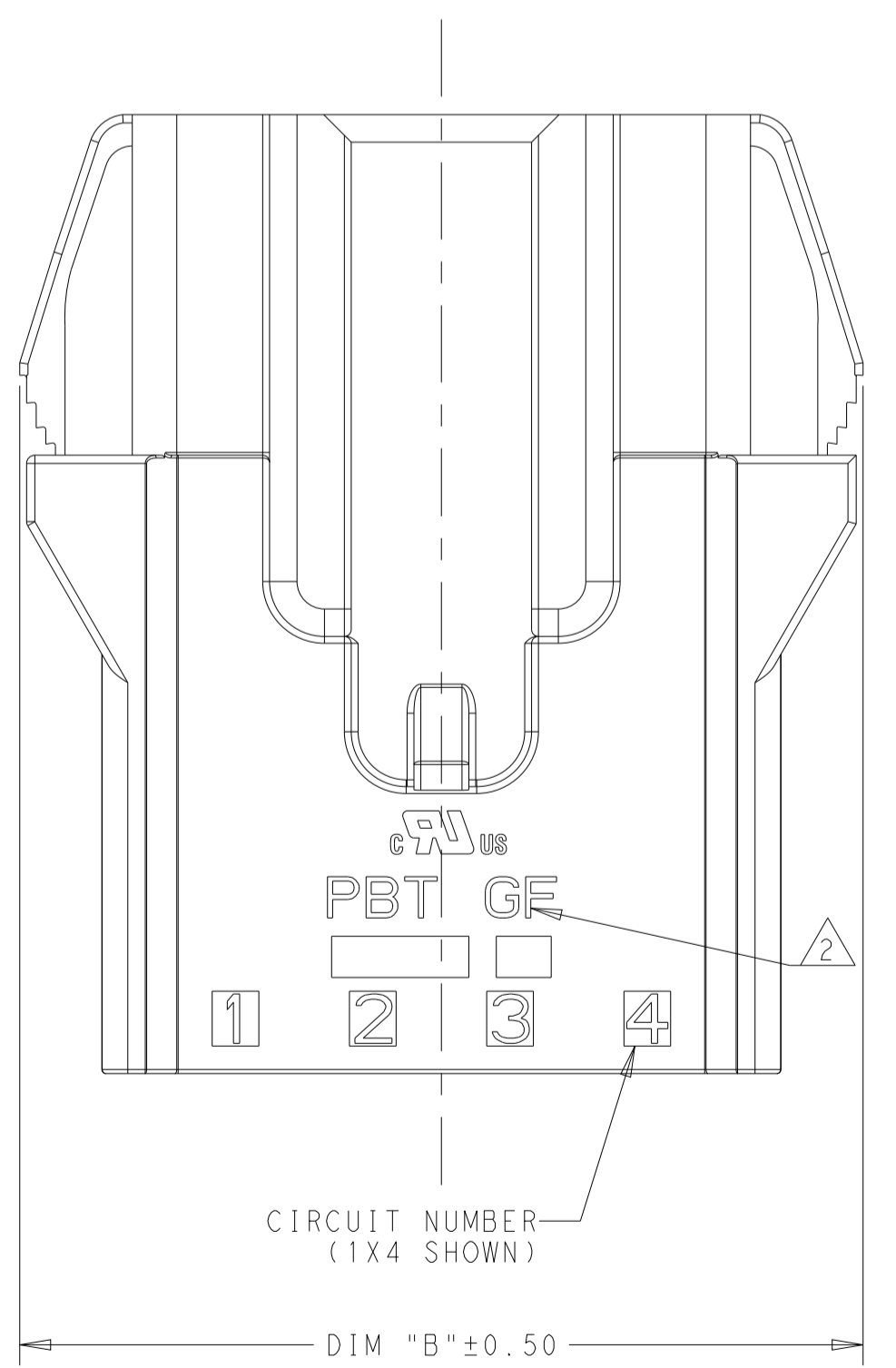
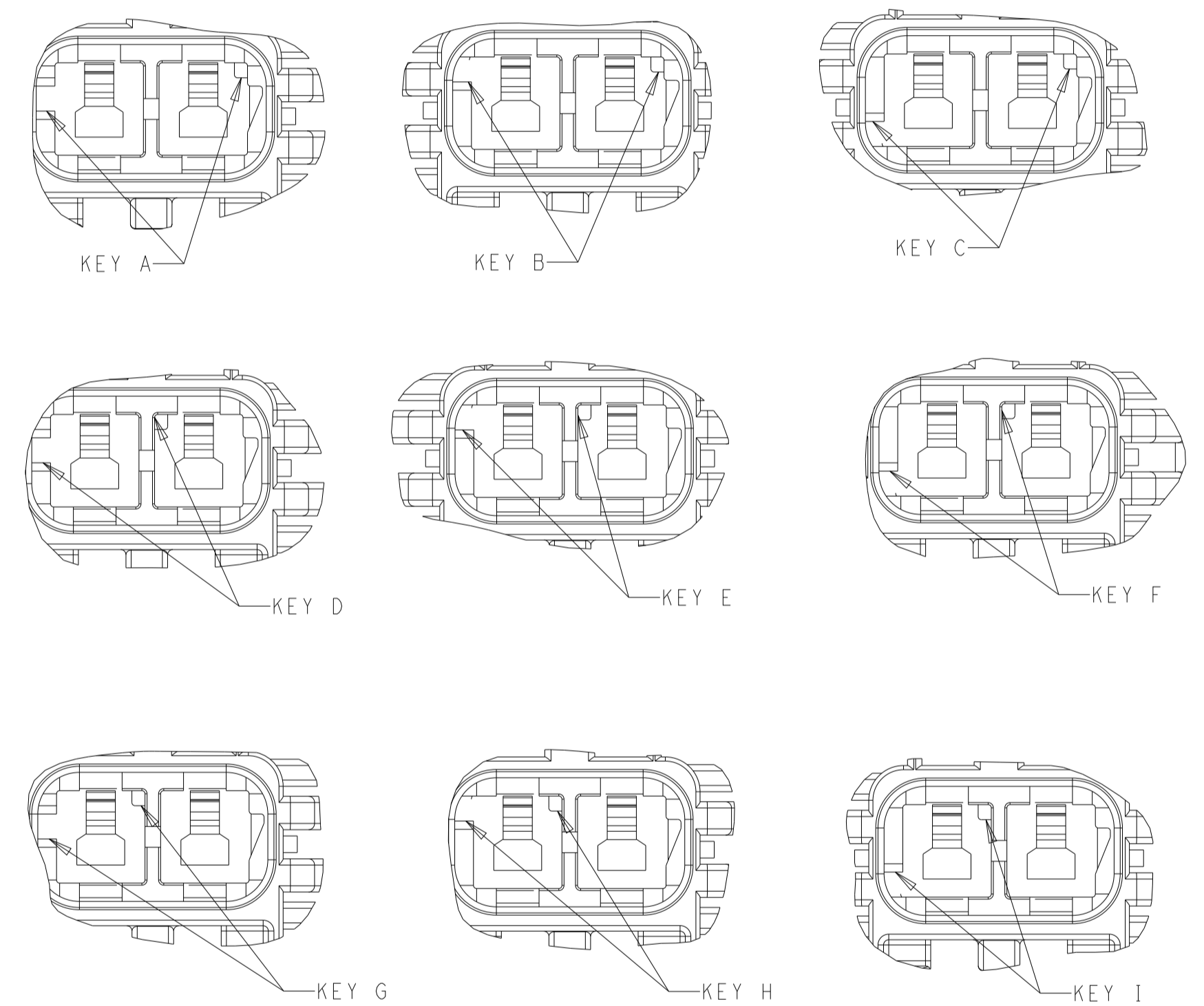
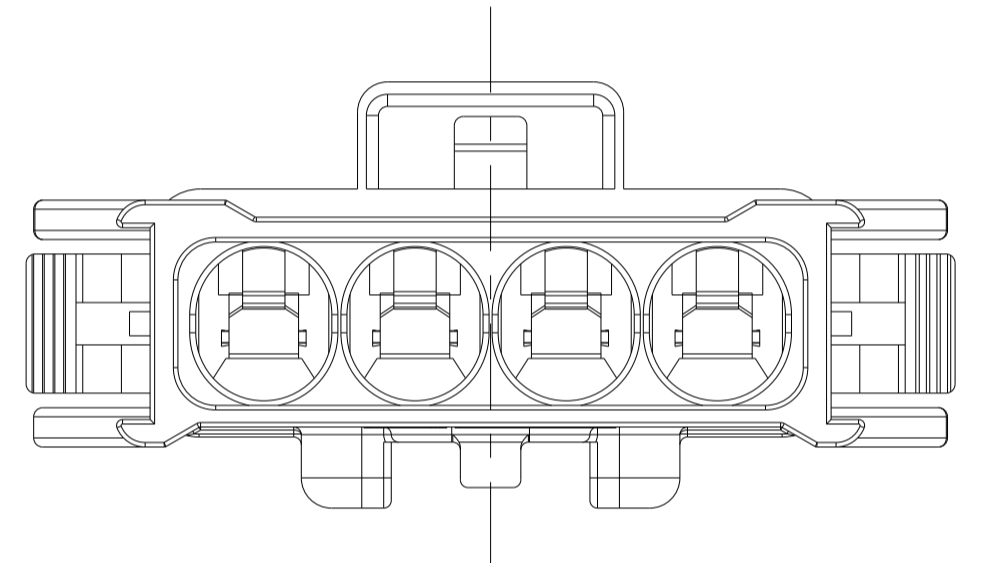
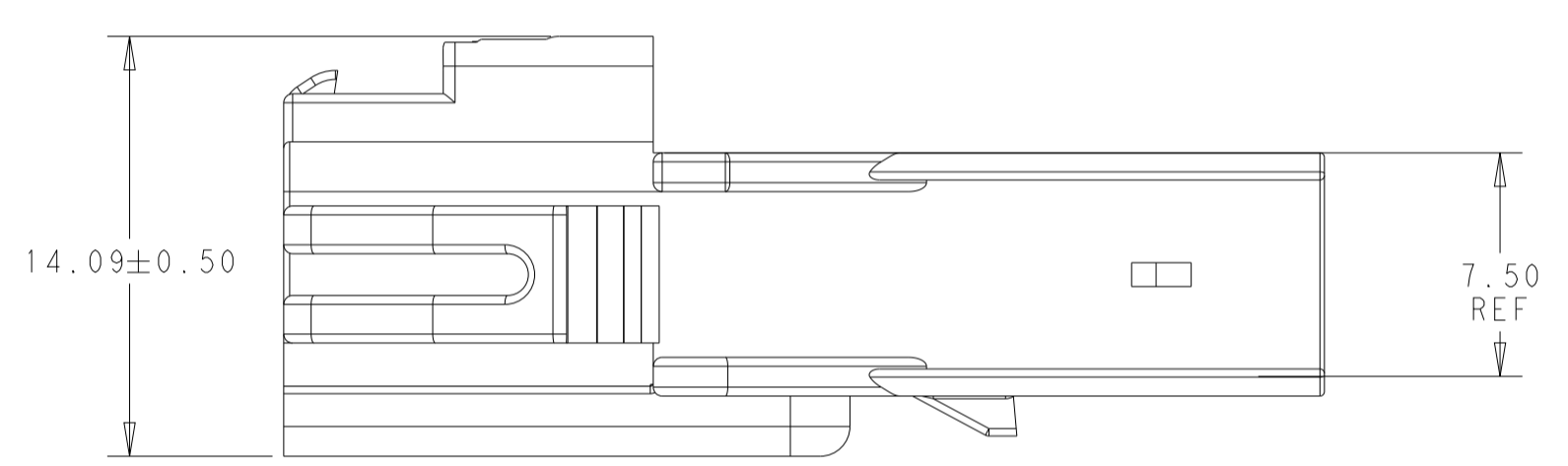
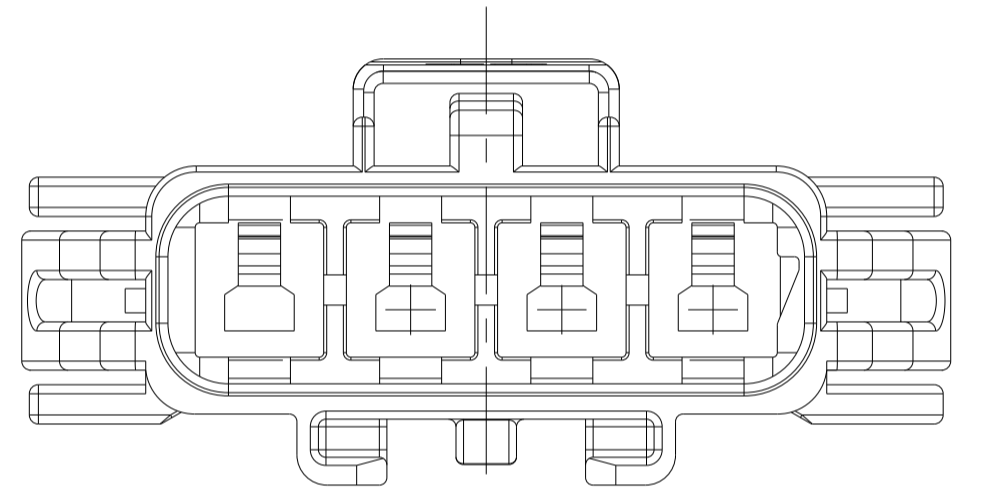
1x2 POSITION

1x3 POSITION

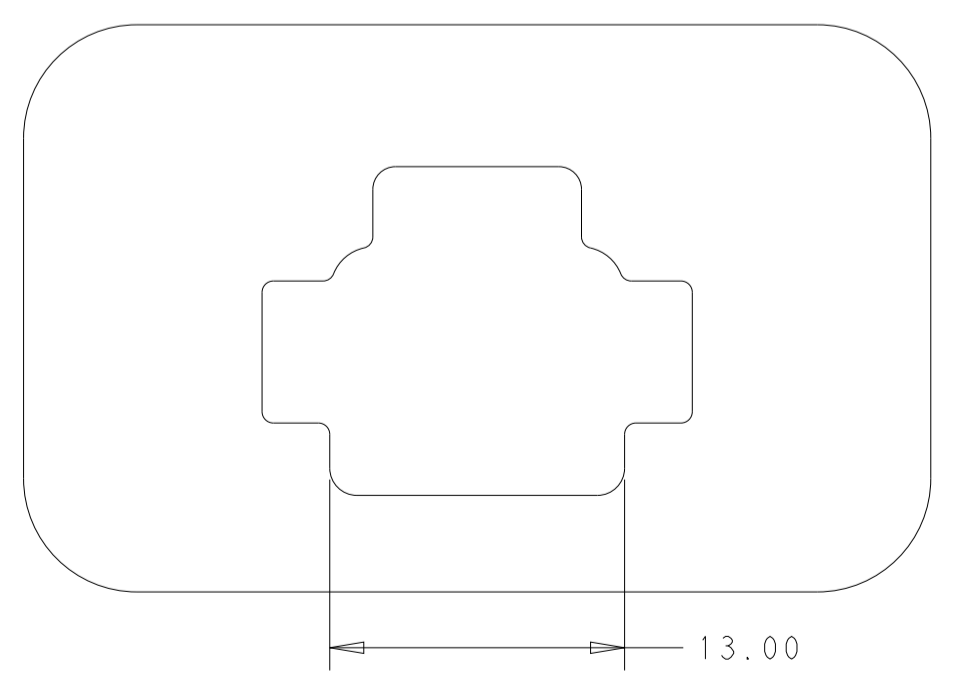


1x4 POSITION

- 1. MATERIAL: PBT, GLASS FILLED
 KEY A: NATURAL; KEY B: GREY; KEY C: BROWN
 KEY D: RED; KEY E: ORANGE; KEY F: VIOLET
 KEY G: YELLOW; KEY H: BLUE; KEY I: GREEN
- 2. MATERIAL MARK: PBT GF
- 3. APPLICABLE CONTACT P/N:
 2329910-*/2329907-*/2329906-*/2329908-*/2329909-*/2329911-*
- 4. MATING CONNECTOR P/N
 PLUG HSG: *2378159-*
 TPA: 2329016-*
 BACK COVER: 2334614-*
 INTERFACE SEAL: 2325347-*
 GANG SEAL: 2325349-*
- 5. RECOMMENDED PANEL THICKNESS: 0.80-2.00
- 6. PANEL MUST BE PUNCHED SO THAT THE HOUSING ENTERS THE PANEL IN THE SAME DIRECTION AS THE PUNCH.
- 7. FLAMMABILITY RATING: UL94 V-0



RECOMMENDED PANEL CUT-OUT
 (ALL DIMENSIONS ±0.15)



(1-2) PANEL CUT-OUT
 (ALL DIMENSIONS ±0.15)

22.85	30.73	22.52	KEY C	1*4	3-2378158-4
22.85	30.73	22.52	KEY B	1*4	2-2378158-4
22.85	30.73	22.52	KEY A	1*4	1-2378158-4
17.85	25.73	17.52	KEY C	1*3	3-2378158-3
17.85	25.73	17.52	KEY B	1*3	2-2378158-3
17.85	25.73	17.52	KEY A	1*3	1-2378158-3
12.85	20.73	12.52	KEY I	1*2	9-2378158-2
12.85	20.73	12.52	KEY H	1*2	8-2378158-2
12.85	20.73	12.52	KEY G	1*2	7-2378158-2
12.85	20.73	12.52	KEY F	1*2	6-2378158-2
12.85	20.73	12.52	KEY E	1*2	5-2378158-2
12.85	20.73	12.52	KEY D	1*2	4-2378158-2
12.85	20.73	12.52	KEY C	1*2	3-2378158-2
12.85	20.73	12.52	KEY B	1*2	2-2378158-2
12.85	20.73	12.52	KEY A	1*2	1-2378158-2
DIM C	DIM B	DIM A	KEYING	POSITIONS	PART NUMBER

THIS DRAWING IS A CONTROLLED DOCUMENT.

DIMENSIONS:	TOLERANCES UNLESS OTHERWISE SPECIFIED:	DWN B. WEAVER 17AUG2020	TE Connectivity
mm	0 PLC ±0.35	CHK D. SWARTZ 17AUG2020	NAME CAP HOUSING, PANEL MOUNT, POWER VERSA-LOCK
	1 PLC ±0.25	APVD V. SHETLAR 17AUG2020	PRODUCT SPEC 108-143081
	2 PLC ±0.25		APPLICATION SPEC 114-143082
	3 PLC ±0.25		SIZE CAGE CODE DRAWING NO RESTRICTED TO
	4 PLC ±0.25		A1 00779 C=2378158
MATERIAL	FINISH	WEIGHT	SCALE 4:1 SHEET 1 OF 1 REV B
			CUSTOMER DRAWING