

φ172mm

San Ace 172W



General Specifications

- Material Frame: Aluminum,
Impeller: Plastics (Flammability: UL94V-1)
- Expected Life Refer to specifications (Indoor, L10:Survival rate: 90% at 60°C ,
rated voltage, and continuously run in a free air state)
- Lead Wire ⊕red ⊖black or blue (Sensor) yellow
- Storage Temperature -30°C to +70°C (Non-condensing)

φ172mm × 150mm × 51mm (Mass : 860g) **IP 68** **9WE type** **Sidecut type**

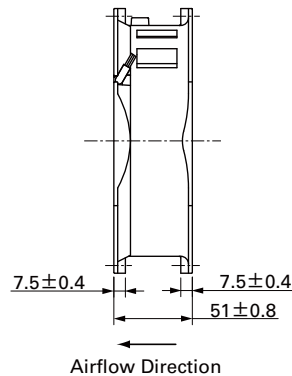
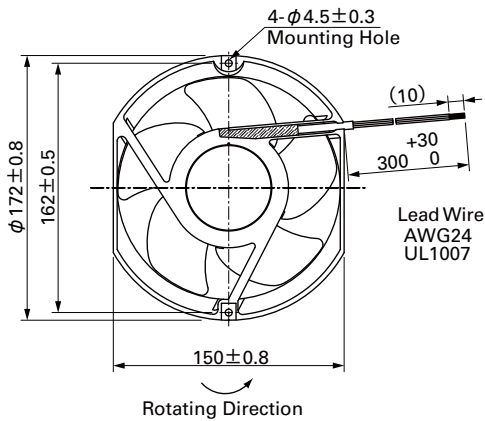
Specifications

The following nos. have pulse sensors.

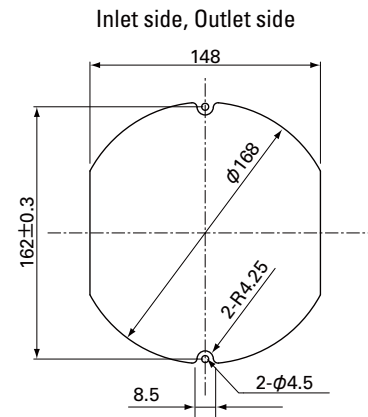
Model No.	Rated Voltage [V]	Operating Voltage Range [V]	Rated Current [A]	Rated Input [W]	Rated Speed [min ⁻¹]	Max. Airflow [m ³ /min] [CFM]	Max. Static Pressure [Pa] [inchH ₂ O]	SPL [dB(A)]	Operating Temperature [°C]	Expected Life [h]
9WE5724K501	24	20.4 to 27.6	1.3	31.2	4,100	8.5 300	243 0.976	60	- 20 to + 60	40,000/60°C
9WE5748K501	48	40.8 to 55.2	0.7	33.6	4,100	8.5 300	243 0.976	60		40,000/60°C

Models without sensors, or with lock sensors, or PWM control function are available as options. Please refer to the index (p. 481).

Dimensions (unit: mm)



Reference Dimensions of Mounting Holes and Vent Opening (unit: mm)

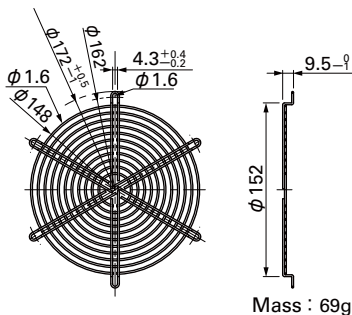


Options (unit: mm)

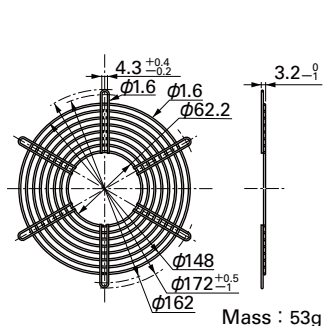
Finger Guards

Model : 109-319E Surface treatment : Nickel-chrome plating (silver) Color : 109-319H : Cation electropainting (black)
 Model : 109-320 Surface treatment : Nickel-chrome plating (silver) Color

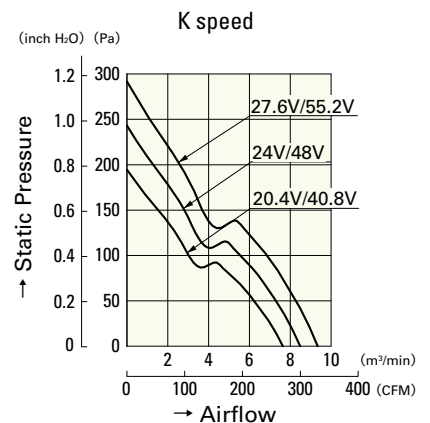
Inlet side, Outlet side



Outlet side



Airflow - Static Pressure Characteristics



9WE5724K501
9WE5748K501