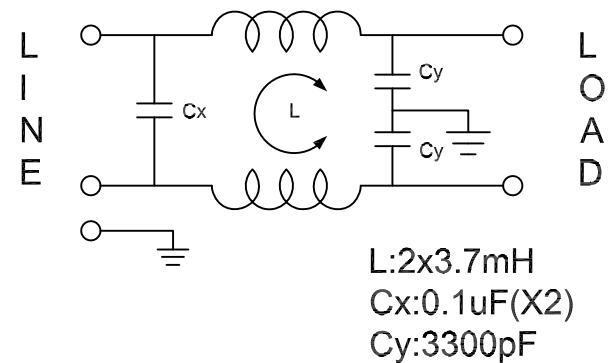
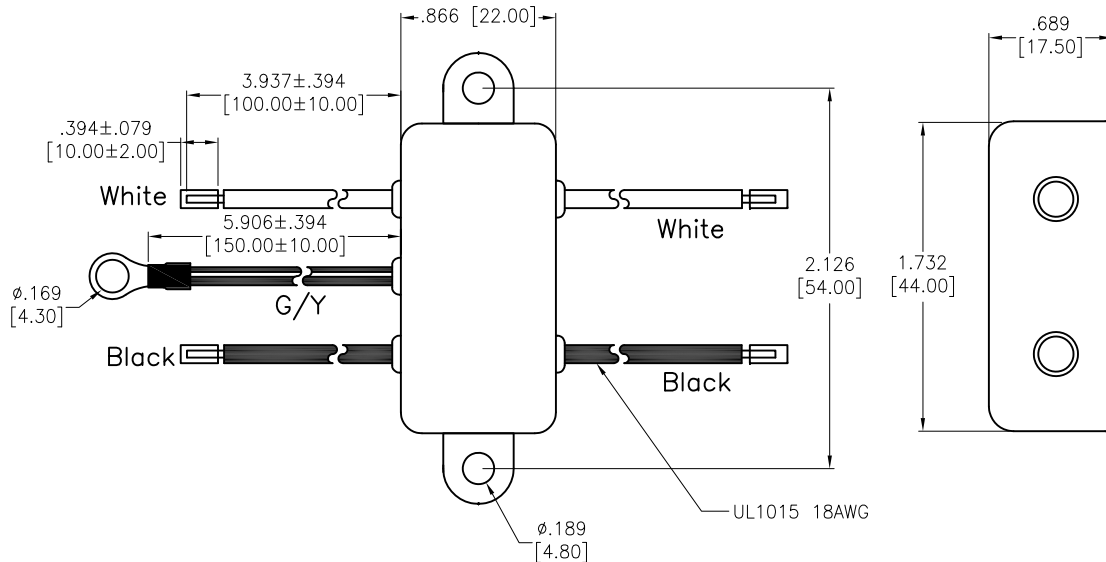


APPROVED: \_\_\_\_\_  
 DATE: \_\_\_\_\_ TITLE: \_\_\_\_\_

Rev	AWO #	Description	Date	Appr
-		RELEASED	9/22/21	
A		ADDED DRAWING	5/27/22	WX/RC



**SPECIFICATIONS:**

**Electrical:**

Voltage rating: 115/250 VAC  
 Current rating: 115/250 VAC: 1A RMS max  
 Operating Frequency: 50/60Hz  
 Leakage Current: Each Line To Ground  
 @115VAC/60HZ 0.4mA max  
 @250VAC/50HZ 0.8mA max

**Hipot Rating(For 1 Minute)**

A. Line to Ground: 2,250 VDC  
 B. Line to Line: 1450 VDC

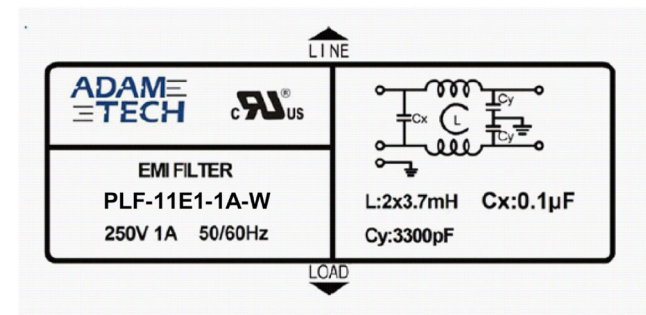
IR: 50 Mohm @500 VDC Any Input or Output to Ground

**Temperature Rating:**

-25°C to +85°C

**Environmental:**

Lead free, RoHS compliant



UNLESS OTHERWISE SPECIFIED ALL DIMENSIONS ARE INCHES [MM]. TOLERANCES: EXCEPT AS NOTED

INCHES		HOLES	
.X	± .10	Ø.X	± .10
.XX	± .020	Ø.XX	± .015
.XXX	± .015	Ø.XXX	± .010



909 Rahway Avenue,  
 Union, NJ 07083  
 Phone: 908-687-5000  
 Fax: 908-687-5710

DRAWN	WX	9/22/21
CHECKED	RC	9/22/21
APPROVED		

TITLE: EMI/RF POWER FILTER, WIRE LEADS, W/ RING TERMINAL, 1 AMP, CHASSIS MOUNT

THIS DRAWING CONTAINS INFORMATION THAT IS PROPRIETARY AND SHOULD NOT BE USED WITHOUT PRIOR WRITTEN PERMISSION FROM ADAM TECH

SIZE	PART NO.	REV.
X	PLF-11E1-1A-W	A
REF:	S00205C	SCALE: NTS SHEET 1 OF 2

6

5

4

3

2

1

APPROVED: \_\_\_\_\_

DATE: \_\_\_\_\_ TITLE: \_\_\_\_\_

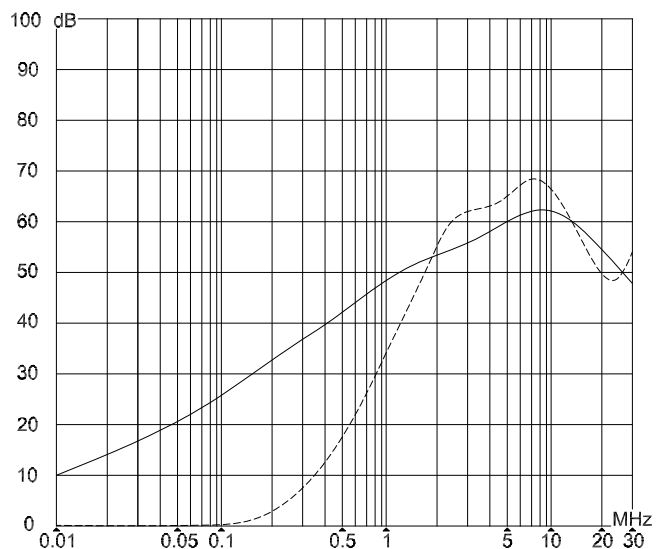
Rev	AWO #	Description	Date	Appr
-----	-------	-------------	------	------

SEE SHT 1 OF 2 FOR REVISION

### INSERTION LOSS(IN 50 ohm system according IEC/CISPR

————— (common mode)

----- (differential mode)



UNLESS OTHERWISE SPECIFIED ALL DIMENSIONS ARE INCHES [MM]. TOLERANCES: EXCEPT AS NOTED

INCHES	Holes
.X ± .10	∅X ± .10
.XX ± .020	∅XX ± .015
.XXX ± .015	∅XXX ± .010



909 Rahway Avenue,  
Union, NJ 07083  
Phone: 908-687-5000  
Fax: 908-687-5710

DRAWN	WX	9/22/21
CHECKED	RC	9/22/21
APPROVED		

TITLE	EMI/RF POWER FILTER, WIRE LEADS, W/ RING TERMINAL, 1 AMP, CHASSIS MOUNT
-------	--

THIS DRAWING CONTAINS INFORMATION THAT IS PROPRIETARY AND SHOULD NOT BE USED WITHOUT PRIOR WRITTEN PERMISSION FROM ADAM TECH

SIZE	PART NO.	REV.
X	PLF-11E1-1A-W	A
REF:	S00205C	SCALE: NTS SHEET 2 OF 2

6

5

4

3

2

1