

PART LIST	MOLEX P/N	ENGINEERING NUMBER	DESCRIPTION
	1204040054	YR4U46000	REC U12 4P AC MA M16 BM SOL UNSH BRA AU
	1204040055	YR5U46000	REC U12 5P AC MA M16 BM SOL UNSH BRA AU
	1204040056	YR8U46000	REC U12 8P AC MA M16 BM SOL UNSH BRA AU
	1204040057	YRCU46000	REC U12 12P AC MA M16 BM SOL UNSH BRA AU
	1204062004	ERYD2U46000	REC U12 4P DC MA M16 BM SOL UNSH BRA AU

TABLE 1 - 4P A-CODE

ITEM	QTY	DESCRIPTION	MATERIAL	FINISH/COLOR
1	1	SHELL M16/M12MA BRASS BM L20/W17 REC U12	BRASS	Ni
2	1	NUT M16X1.5 BRASS NI HEX		
3	1	GASKET OR NBR BK	NBR	BLACK
4	1	MIC 4P REC INSERT A-CODE PA SHORT	PA	BLACK
5	4	CONTACT 10 MA	BRASS	Au
6	-	POTTING MATERIAL	PUR	BEIGE

TABLE 2 - 5P A-CODE

ITEM	QTY	DESCRIPTION	MATERIAL	FINISH/COLOR
1	1	SHELL M16/M12MA BRASS BM L20/W17 REC U12	BRASS	Ni
2	1	NUT M16X1.5 BRASS NI HEX		
3	1	GASKET OR NBR BK	NBR	BLACK
4	1	MIC 5P REC INSERT A-CODE PA SHORT	PA	BLACK
5	5	CONTACT 10 MA	BRASS	Au
6	-	POTTING MATERIAL	PUR	BEIGE

TABLE 3 - 8P A-CODE

ITEM	QTY	DESCRIPTION	MATERIAL	FINISH/COLOR
1	1	SHELL M16/M12MA BRASS BM L20/W17 REC U12	BRASS	Ni
2	1	NUT M16X1.5 BRASS NI HEX		
3	1	GASKET OR NBR BK	NBR	BLACK
4	1	MIC 8P REC INSERT MALE PA SHORT	PA	BLACK
5	8	CONTACT 8 MA	BRASS	Au
6	-	POTTING MATERIAL	PUR	BEIGE

TABLE 4 - 12P A-CODE

ITEM	QTY	DESCRIPTION	MATERIAL	FINISH/COLOR
1	1	SHELL M16/M12MA BRASS BM L20/W17 REC U12	BRASS	Ni
2	1	NUT M16X1.5 BRASS NI HEX		
3	1	GASKET OR NBR BK	NBR	BLACK
4	1	MIC 12P REC INSERT MALE PA SHORT	PA	BLACK
5	12	CONTACT 6 MA	BRASS	Au
6	-	POTTING MATERIAL	PUR	BEIGE

TABLE 5 - 4P D-CODE

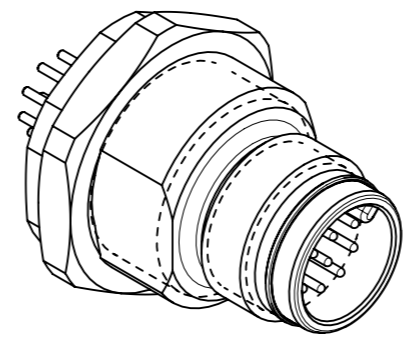
ITEM	QTY	DESCRIPTION	MATERIAL	FINISH/COLOR
1	1	SHELL M16/M12MA BRASS BM L20/W17 REC U12	BRASS	Ni
2	1	NUT M16X1.5 BRASS NI HEX		
3	1	GASKET OR NBR BK	NBR	BLACK
4	1	MIC 4P REC INSERT D-CODE PA SHORT	PA	BLACK
5	4	CONTACT 10 MA	BRASS	Au
6	-	POTTING MATERIAL	PUR	BEIGE

DOCUMENT STATUS	P1	RELEASE DATE	2023/01/31	08:21:42
-----------------	----	--------------	------------	----------

POLES	4 POLE	5 POLE	8 POLE	12 POLE	4 POLE
VOLTAGE RATING	250V	60V	30V	30V	250V
CODING	A - Code	A - Code	A - Code	A - Code	D - Code
AMPERE RATING	4A	4A	2A	1.5A	4A
PROTECTION CLASS CONNECTOR INTERFACE AND SHELL TO ENCLOSURE	IP 67/69K (in mated condition / when properly installed)				
OPERATING TEMP.	-40°C / +90°C				
UL/CSA CERTIFICATION	CSA FILE NO. LR6837, C'CSA'US MARK				Pending
PIN DIAMETER	1.0 mm	1.0 mm	0.8 mm	0.6 mm	1.0 mm

NOTES:

- PARTS ACC. TO PRODUCT SPECIFICATION 1204000001 PS P10 AND IN STYLE OF IEC-61076-2-010
- BOM: SEE TABLES
- FOR THE ELECTRICAL RATINGS: DERATING HAS TO BE CONSIDERED
OVERVOLTAGE CATEGORY: 3
POLLUTION DEGREE: 3, ONLY IN MATED AND LOCKED CONDITION
- MECHANICAL OPERATIONS: 100 CYCLES
- MATES WITH M12 FEMALE CORDSETS
- PACKAGING: PACKED IN TRAYS AND IN MOLEX STANDARD CARTONS
- PANEL THICKNESS MAX. 6.2 mm.
- RECOMMENDED PANEL CUTOUT: SEE PICTURE IN SHEET 1



FUNCTIONAL SYMBOLS	THIS DRAWING CONTAINS INFORMATION THAT IS PROPRIETARY TO MOLEX ELECTRONIC TECHNOLOGIES, LLC AND SHOULD NOT BE USED WITHOUT WRITTEN PERMISSION																																			
	<table border="1"> <tr> <th>FUNCTIONAL SYMBOLS</th> <th>DIMENSION UNITS</th> <th>SCALE</th> </tr> <tr> <td>$\nabla_A = 0$</td> <td>mm</td> <td>2:1</td> </tr> <tr> <td>$\nabla_E = 0$</td> <td colspan="2">GENERAL TOLERANCES (UNLESS SPECIFIED)</td> </tr> <tr> <td>$\nabla_F = 0$</td> <td colspan="2">ANGULAR TOL $\pm 1.0^\circ$</td> </tr> <tr> <td></td> <td>4 PLACES</td> <td>\pm</td> </tr> <tr> <td></td> <td>3 PLACES</td> <td>\pm</td> </tr> <tr> <td></td> <td>2 PLACES</td> <td>± 0.05</td> </tr> <tr> <td></td> <td>1 PLACE</td> <td>± 0.3</td> </tr> <tr> <td></td> <td>0 PLACES</td> <td>± 0.5</td> </tr> </table>	FUNCTIONAL SYMBOLS			DIMENSION UNITS	SCALE	$\nabla_A = 0$	mm	2:1	$\nabla_E = 0$	GENERAL TOLERANCES (UNLESS SPECIFIED)		$\nabla_F = 0$	ANGULAR TOL $\pm 1.0^\circ$			4 PLACES	\pm		3 PLACES	\pm		2 PLACES	± 0.05		1 PLACE	± 0.3		0 PLACES	± 0.5	<table border="1"> <tr> <td>EC NO: 736602</td> <td>2023/01/30</td> </tr> <tr> <td>DRWN: RSCHIEBER</td> <td>2023/01/31</td> </tr> <tr> <td>CHK'D: RSILLER</td> <td>2023/01/31</td> </tr> <tr> <td>APPR: RSILLER</td> <td>2023/01/31</td> </tr> </table>	EC NO: 736602	2023/01/30	DRWN: RSCHIEBER	2023/01/31	CHK'D: RSILLER
FUNCTIONAL SYMBOLS	DIMENSION UNITS	SCALE																																		
$\nabla_A = 0$	mm	2:1																																		
$\nabla_E = 0$	GENERAL TOLERANCES (UNLESS SPECIFIED)																																			
$\nabla_F = 0$	ANGULAR TOL $\pm 1.0^\circ$																																			
	4 PLACES	\pm																																		
	3 PLACES	\pm																																		
	2 PLACES	± 0.05																																		
	1 PLACE	± 0.3																																		
	0 PLACES	± 0.5																																		
EC NO: 736602	2023/01/30																																			
DRWN: RSCHIEBER	2023/01/31																																			
CHK'D: RSILLER	2023/01/31																																			
APPR: RSILLER	2023/01/31																																			
DIVISIONAL SYMBOLS	<table border="1"> <tr> <td>INITIAL REVISION:</td> <td>DOCUMENT NUMBER</td> <td>DOC TYPE</td> <td>DOC PART</td> <td>REVISION</td> </tr> <tr> <td>DRWN: JELIZAINCIN</td> <td>1204040054</td> <td>PSD</td> <td>000</td> <td>A2</td> </tr> <tr> <td>APPR: RSILLER</td> <td>2022/07/14</td> <td></td> <td></td> <td></td> </tr> </table>	INITIAL REVISION:	DOCUMENT NUMBER	DOC TYPE	DOC PART	REVISION	DRWN: JELIZAINCIN	1204040054	PSD	000	A2	APPR: RSILLER	2022/07/14				<table border="1"> <tr> <td>THIRD ANGLE PROJECTION</td> <td>DRAWING</td> <td>SERIES</td> <td>MATERIAL NUMBER</td> <td>CUSTOMER</td> <td>SHEET NUMBER</td> </tr> <tr> <td></td> <td>A3-SIZE</td> <td>120404</td> <td>SEE PART LIST</td> <td>GENERAL MARKET</td> <td>2 OF 2</td> </tr> </table>	THIRD ANGLE PROJECTION	DRAWING	SERIES	MATERIAL NUMBER	CUSTOMER	SHEET NUMBER		A3-SIZE	120404	SEE PART LIST	GENERAL MARKET	2 OF 2							
INITIAL REVISION:	DOCUMENT NUMBER	DOC TYPE	DOC PART	REVISION																																
DRWN: JELIZAINCIN	1204040054	PSD	000	A2																																
APPR: RSILLER	2022/07/14																																			
THIRD ANGLE PROJECTION	DRAWING	SERIES	MATERIAL NUMBER	CUSTOMER	SHEET NUMBER																															
	A3-SIZE	120404	SEE PART LIST	GENERAL MARKET	2 OF 2																															