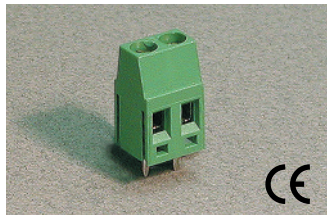




Pin Spacing: 5.00mm  
 Orientation: Vertical  
 Clamp Type: Screw Cage  
 Design: Modular



**MVE-25xx**

**ELECTRICAL**

	Current	Voltage	Wire Range
	15A <sup>①</sup>	300V	30-14AWG
	16A	450V	2.5mm <sup>2</sup> Stranded 4.0mm <sup>2</sup> Solid

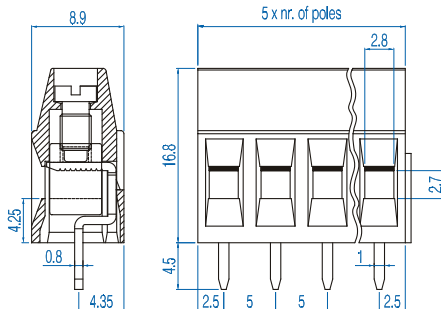
**INSTALLATION DATA**

<b>Screw Size</b>	M3	<b>PCB Hole Size</b>	1.3mm
<b>Torque</b>	0.5Nm (4.5 lbf-in.)	<b>Stripping Lgth.</b>	7.1mm

**MATERIAL**

<b>Body</b>	Polyamide	<b>Screw</b>	Galvanized Steel
<b>Flammability Class</b>	UL94V-0	<b>Terminal</b>	Tin-Plated Brass
<b>Temperature Limit</b>	105°C UL 125°C IEC	<b>Clamp</b>	Nickel Brass
<b>Color</b>	Green		

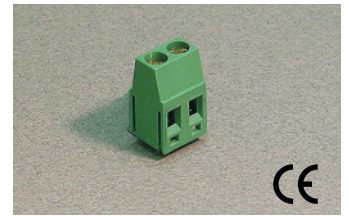
No. Poles	Cat. #	Length (mm)	Std. Pk.
2	MVE-252	10.0	100
3	MVE-253	15.0	100
4	MVE-254	20.0	50
5	MVE-255	25.0	50
6	MVE-256	30.0	50
7	MVE-257	35.0	50
8	MVE-258	40.0	50
9	MVE-259	45.0	50
10	MVE-2510	50.0	50
11	MVE-2511	55.0	50
12	MVE-2512	60.0	50
13	MVE-2513	65.0	20
14	MVE-2514	70.0	20
15	MVE-2515	75.0	20
16	MVE-2516	80.0	20
17	MVE-2517	85.0	20
18	MVE-2518	90.0	20
19	MVE-2519	95.0	20
20	MVE-2520	100.0	20
21	MVE-2521	105.0	20
22	MVE-2522	110.0	20
23	MVE-2523	115.0	20
24	MVE-2524	120.0	20



① 16A Factory Wiring - UL



**5.00mm Pin Spacing** – Fixed PCB Blocks

Pin Spacing: 5.00mm  
 Orientation: Horizontal  
 Clamp Type: Screw Cage  
 Design: Modular



**MHE-25xx**

**ELECTRICAL**

	Current	Voltage	Wire Range
	15A <sup>①</sup>	300V	30-14AWG
	16A	450V	2.5mm <sup>2</sup> Stranded 4.0mm <sup>2</sup> Solid

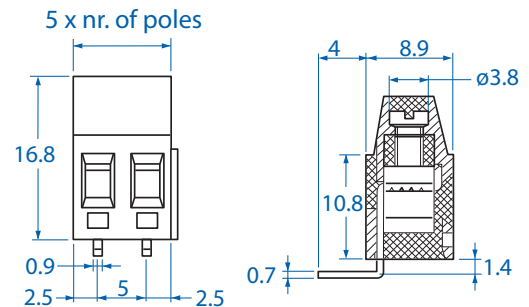
**INSTALLATION DATA**

<b>Screw Size</b>	M3	<b>PCB Hole Size</b>	1.3mm
<b>Torque</b>	0.5Nm (4.5 lbf-in.)	<b>Stripping Lgth.</b>	7.1mm

**MATERIAL**

<b>Body</b>	Polyamide	<b>Screw</b>	Galvanized Steel
<b>Flammability Class</b>	UL94V-0	<b>Terminal</b>	Tin-Plated Brass
<b>Temperature Limit</b>	105°C UL 125°C IEC	<b>Clamp</b>	Nickel Brass
<b>Color</b>	Green		

No. Poles	Cat. #	Length (mm)	Std. Pk.
2	MHE-252	10.0	100
3	MHE-253	15.0	100
4	MHE-254	20.0	50
5	MHE-255	25.0	50
6	MHE-256	30.0	50
7	MHE-257	35.0	50
8	MHE-258	40.0	50
9	MHE-259	45.0	50
10	MHE-2510	50.0	50
11	MHE-2511	55.0	50
12	MHE-2512	60.0	50
13	MHE-2513	65.0	20
14	MHE-2514	70.0	20
15	MHE-2515	75.0	20
16	MHE-2516	80.0	20
17	MHE-2517	85.0	20
18	MHE-2518	90.0	20
19	MHE-2519	95.0	20
20	MHE-2520	100.0	20
21	MHE-2521	105.0	20
22	MHE-2522	110.0	20
23	MHE-2523	115.0	20
24	MHE-2524	120.0	20



① 16A Factory Wiring - UL