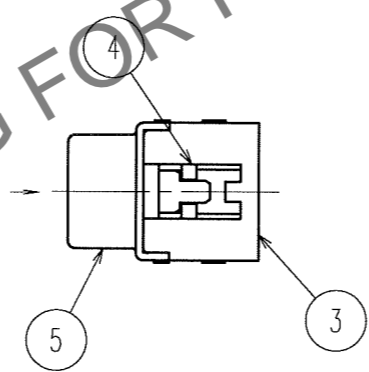
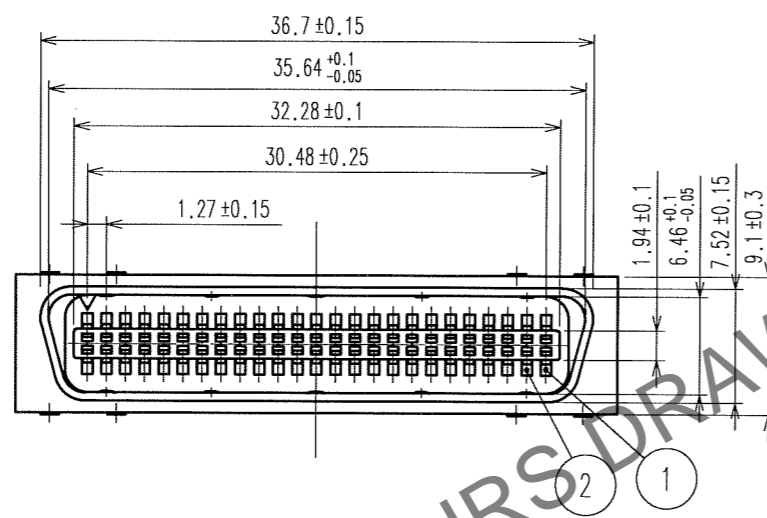
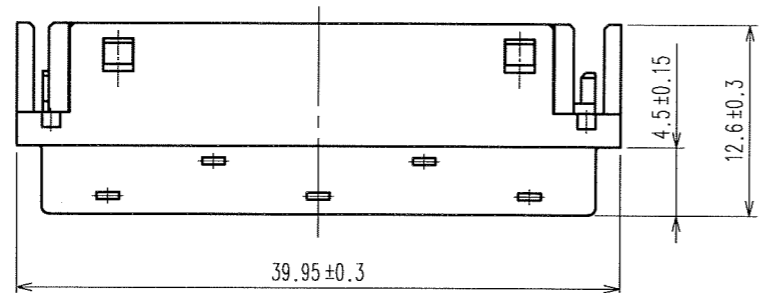
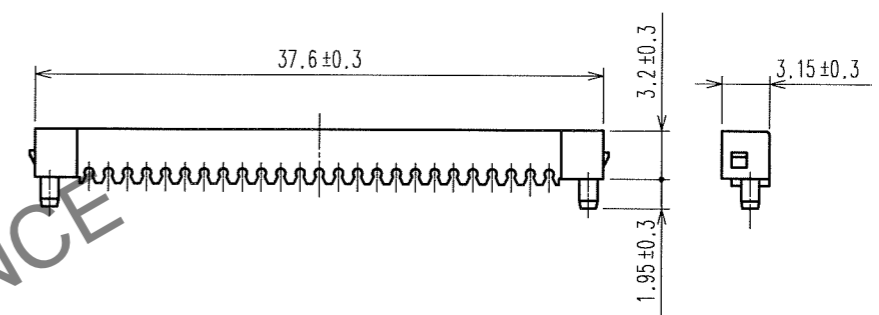


May.1.2024 Copyright 2024 HIROSE ELECTRIC CO., LTD. All Rights Reserved.
In case of consideration for using Automotive equipment / device which demand high reliability, kindly contact our sales window correspondents.

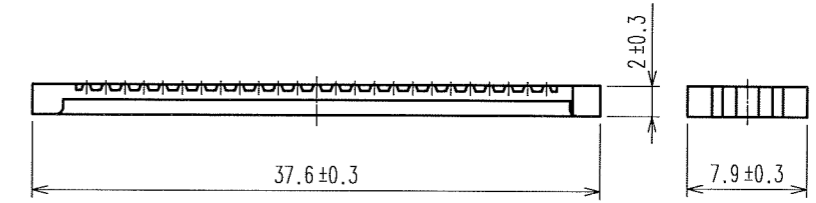
COUNT	DESCRIPTION OF REVISIONS	BY	CHKD	DATE	COUNT	DESCRIPTION OF REVISIONS	BY	CHKD	DATE
2	DIS-E-000197	Y.S.Y.E		05.08.29					



7 APPENDED PRODUCT



6 APPENDED PRODUCT



NOTE 1 FIXING FORCE OF REF.NO ③ TO BE 100N MIN TO DIRECTION A.

4	PBT	(GLASS CONTAINED) UL94V-0			
3	PBT	(GLASS CONTAINED) UL94V-0	7	PBT	(GLASS CONTAINED) UL94V-0
2	BERYLLIUM COPPER ALLOY	CONTACT SECTION GOLD PLATED IDC SECTION GOLD FLASH PLATING	6	PBT	(GLASS CONTAINED) UL94V-0
1	BERYLLIUM COPPER ALLOY	CONTACT SECTION GOLD PLATED IDC SECTION GOLD FLASH PLATING	5	STEEL	NICKEL PLATED
NO.	MATERIAL	FINISH, REMARKS	NO.	MATERIAL	FINISH, REMARKS

CODE NO. (OLD)	DRAWN	DESIGNED	CHECKED	APPROVED	RELEASED
	T.MIURA	K.ICHIKAWA	H.TANAKA	H.TANAKA	
	99.03.05	99.03.08	99.03.08	99.03.08	

 SCALE 2 : 1 UNITS mm	DRAWING NO. EDC3-042475 HIROSE ELECTRIC CO., LTD	PART NO. DX30AM-50P CODE NO. CL230-5028-5	1/1
-----------------------------------	--	--	-----

TO
Q1
USA